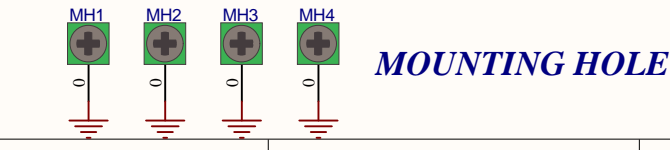
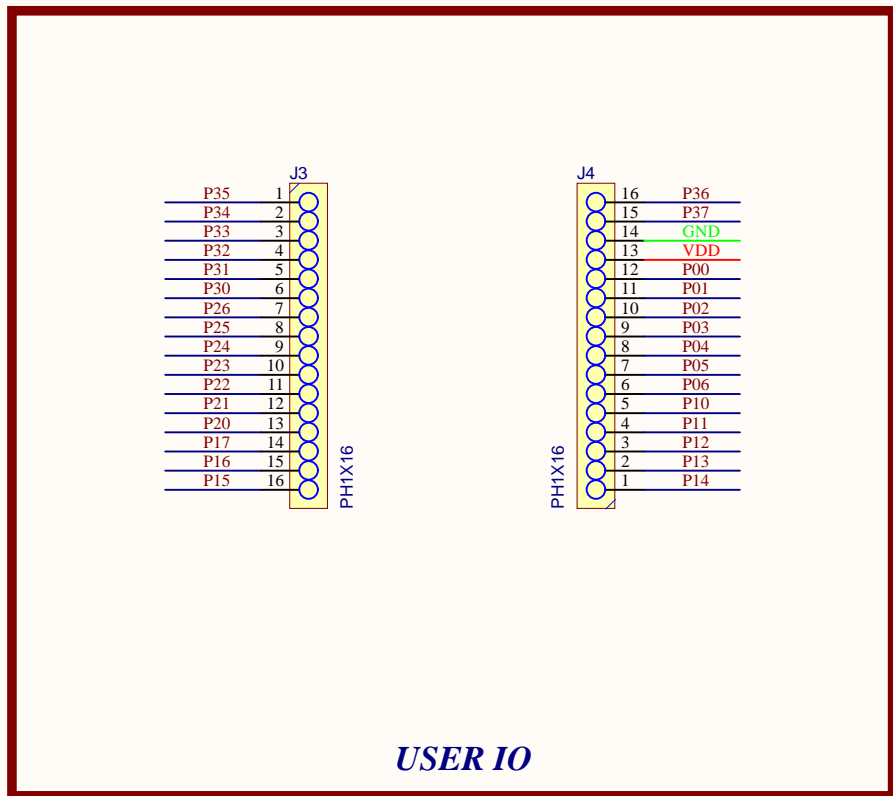
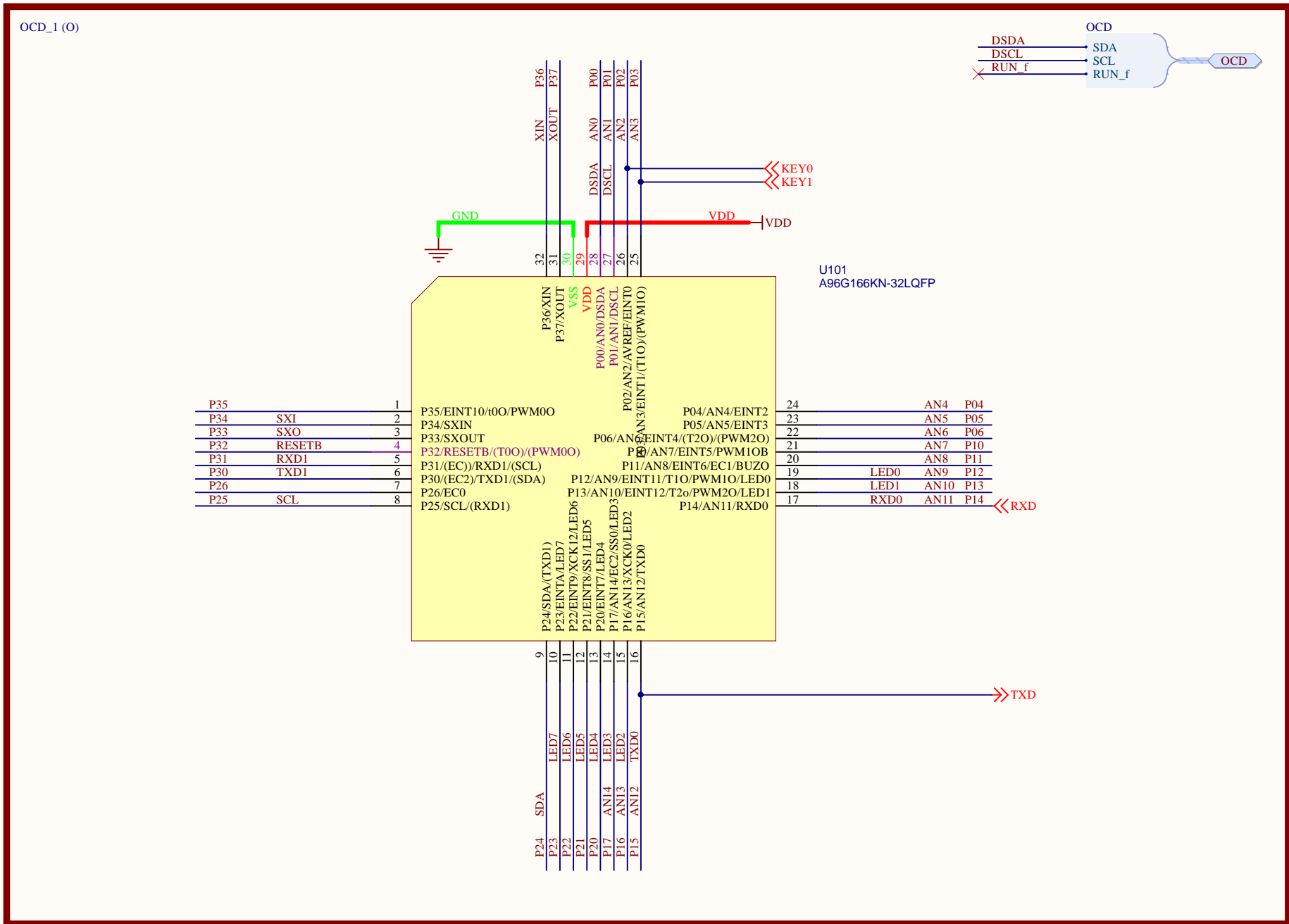
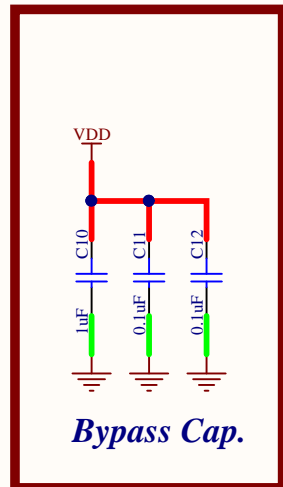
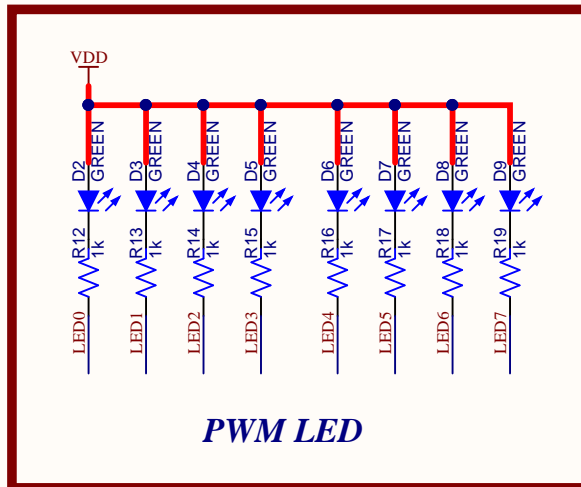
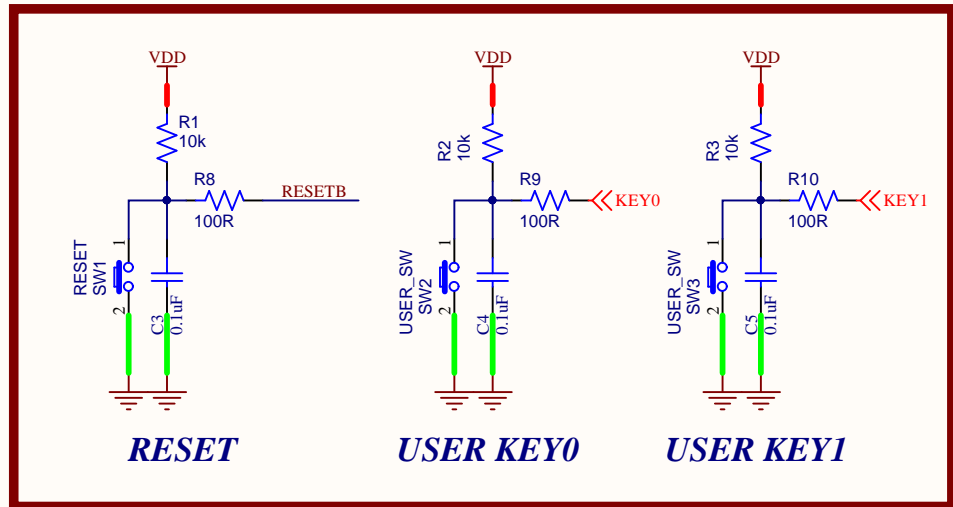
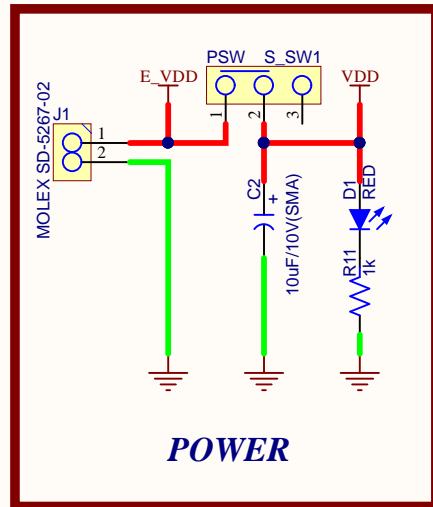
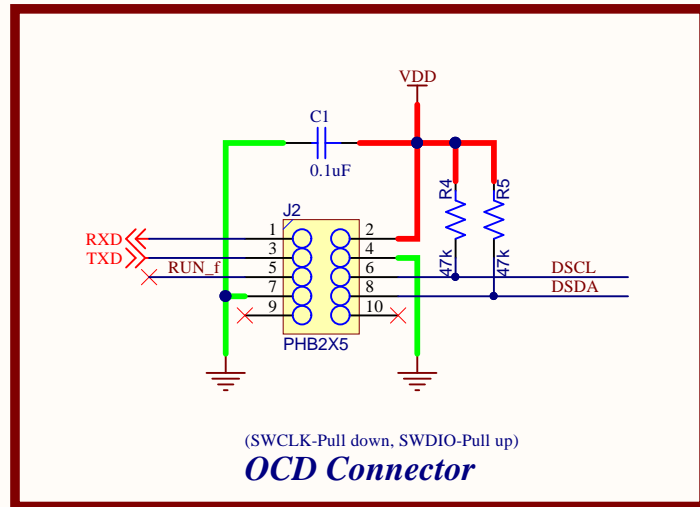
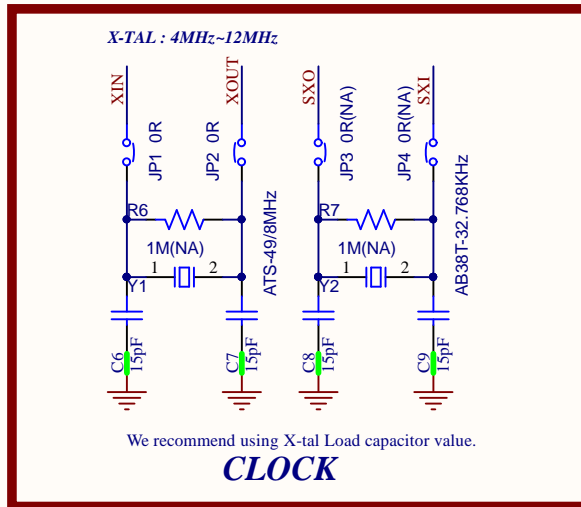
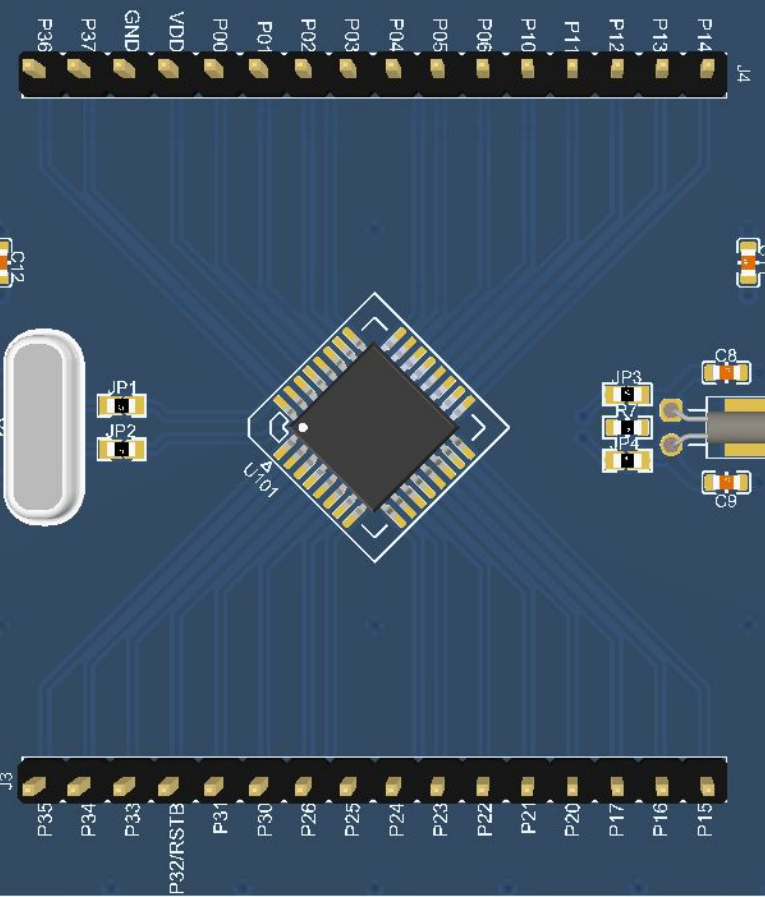
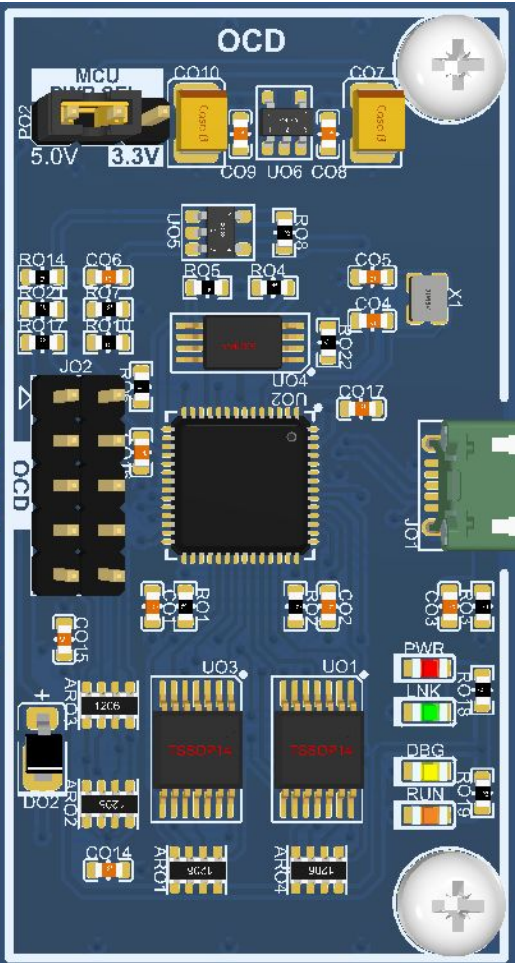


Title On-Chip Debugger(OCD-I)			ABOV Semiconductor Co., Ltd. 501, SekwangRoyal B/D 5F, Kangseo-dong, heungdeok-gu, Cheongju-si, Chungbuk, Korea	Cannot open file D:\MyProject\Abov\LO GO\캡처.tif
Size: A3	Number: *	Revision: V3.2		
Date: 2019-11-12	Time: 오후 4:29:18	Sheet 1 of 1		
File: OCD-I.SchDoc				





STK-A96G166-KNN-A
STARTER KIT
V1.1(20191111)

ABOV
SEMICONDUCTOR



