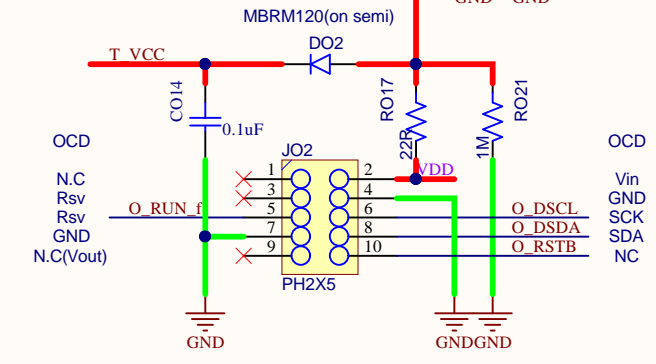
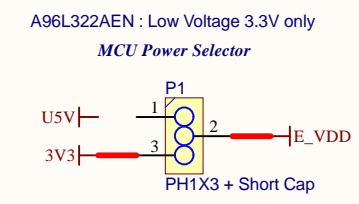
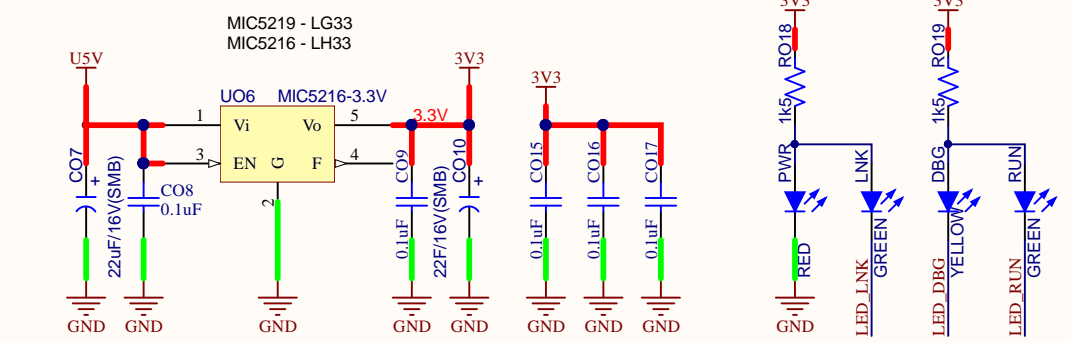
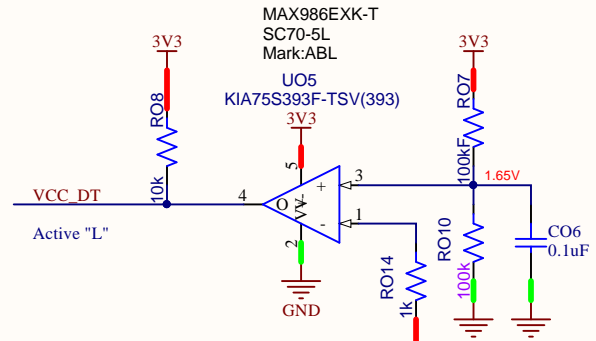
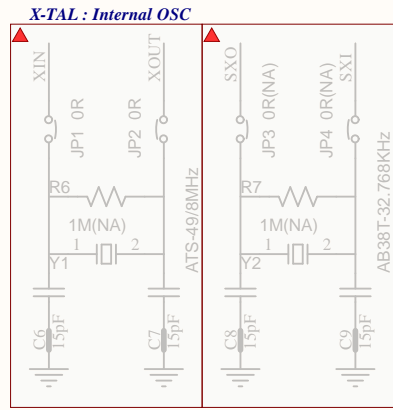


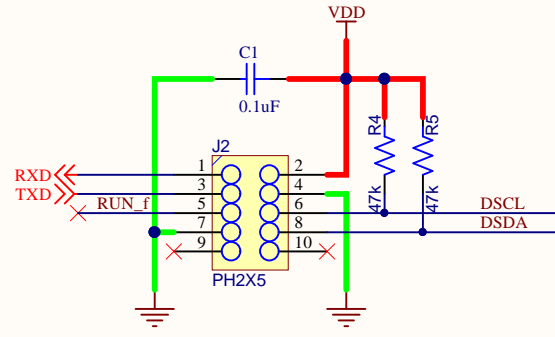
1) External 사용시 정상
2) OCD Power시 비정상



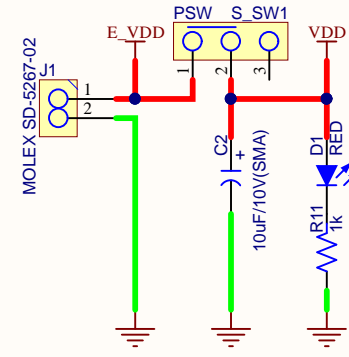
Title On-Chip Debugger(OCD-I)			ABOV Semiconductor Co., Ltd 501, SekwangRoyal B/D 5F, Kangseo-dong, heungdeok-gu, Cheongju-si, Chungbuk, Korea	Cannot open file D:\MyProject\Abov\LO GO캡처.tif
Size: A3	Number: *	Revision: V3.2		
Date: 2019-11-12	Time: 오후 4:34:52	Sheet 1 of 1		
File: OCD-I.SchDoc				



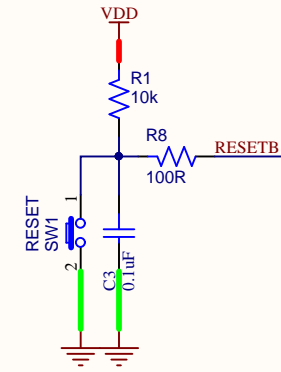
CLOCK



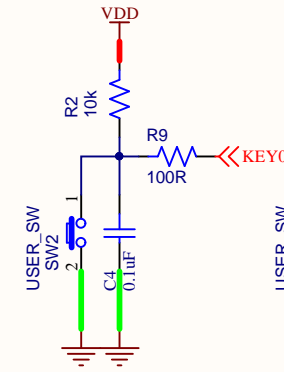
(SWCLK-Pull down, SWDIO-Pull up)
OCD Connector



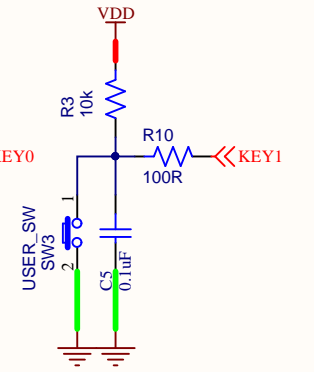
POWER



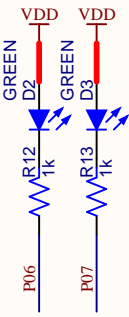
RESET



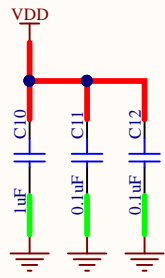
USER KEY0



USER KEY1

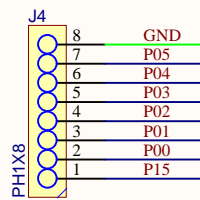
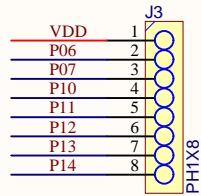
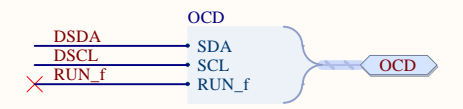
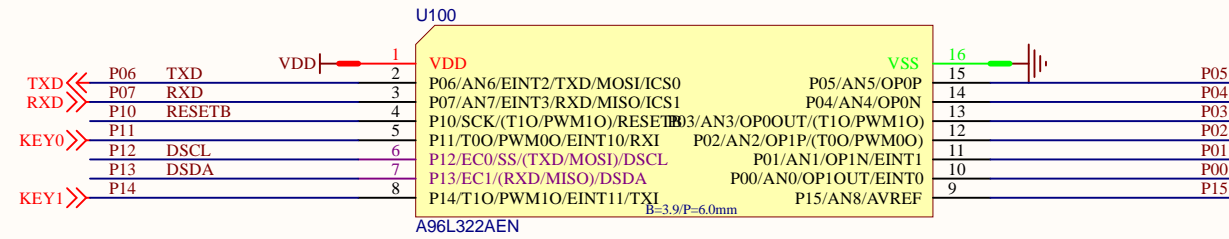


LED Display

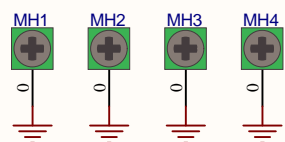


Bypass Cap.

Low Voltage 3.3V only



USER IO



MOUNTING HOLE

Title : **STK_A94B114-FRN-A**

Size : A3

Number : *

Revision: **Rev 1.3**

Date: 2019-11-12 Time: 오후 4:34:52

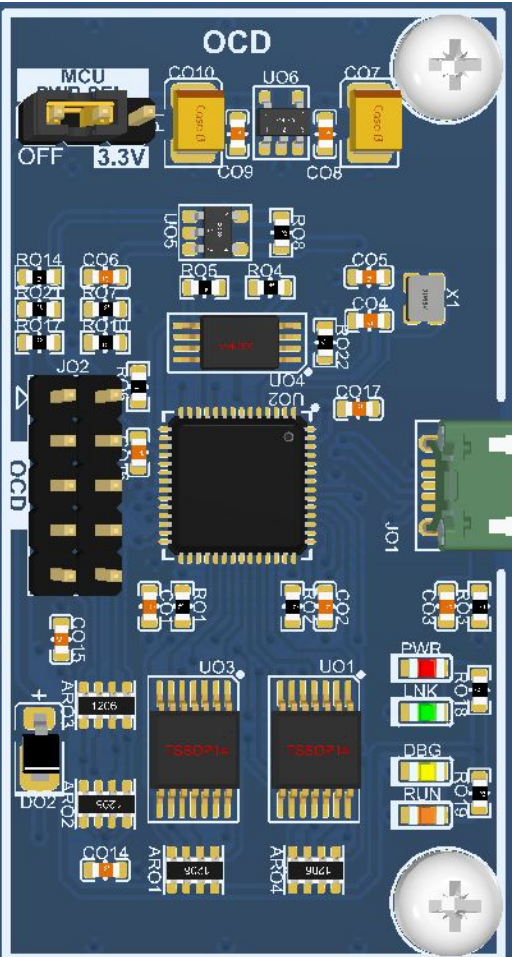
Sheet * of *

File : STK-A96L322-AEN-A.SchDoc

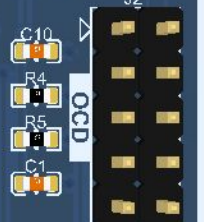
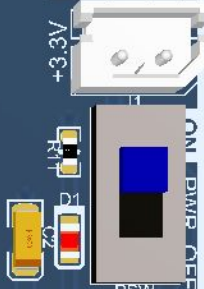
ABOV Semiconductor Co., Ltd.
93-1o, gag-li 1
OChang-eub, CheongWon-gu,
Cheongju-si, Chungbuk,
Korea (363-885)

LOGO1

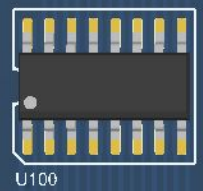




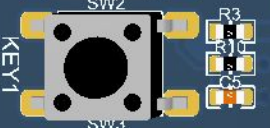
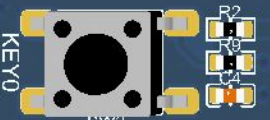
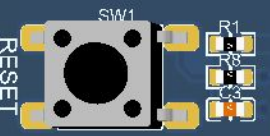
+ Ext. Power

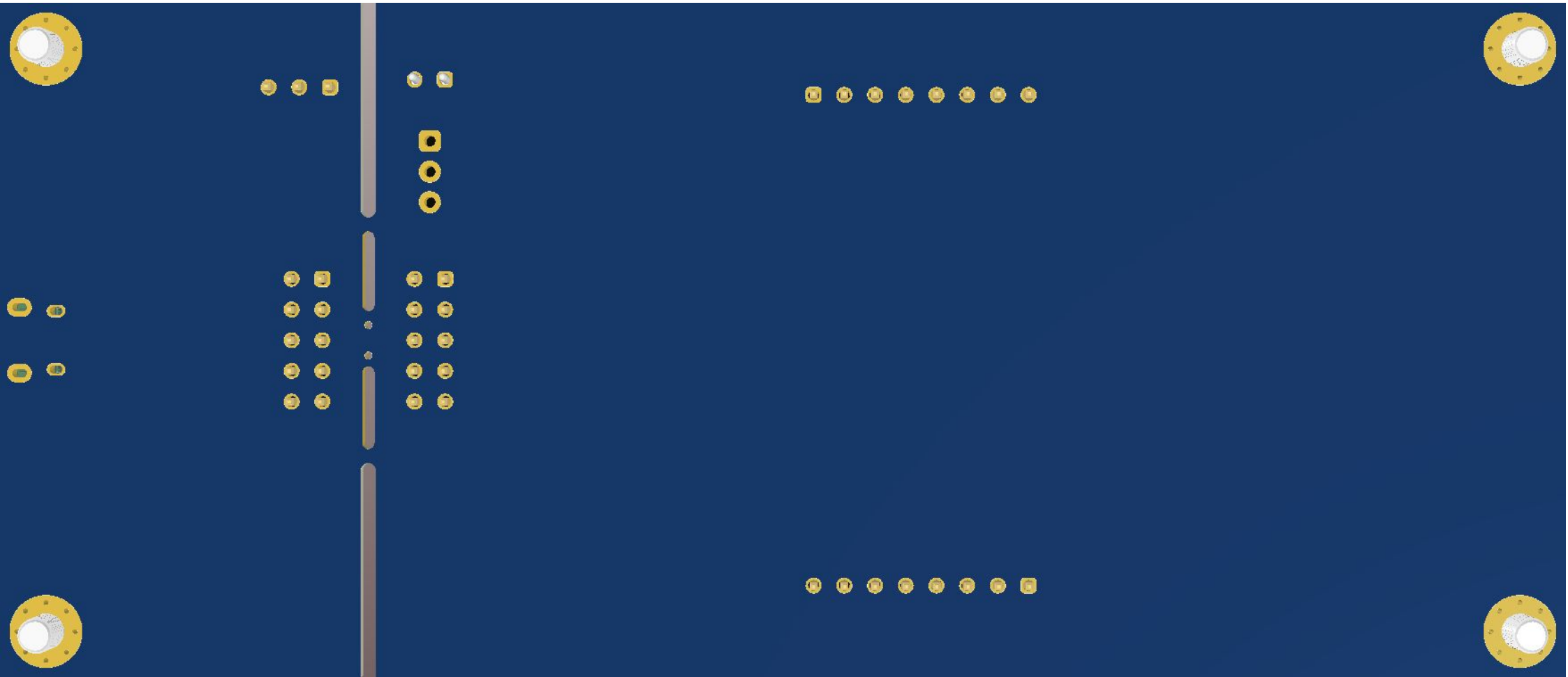


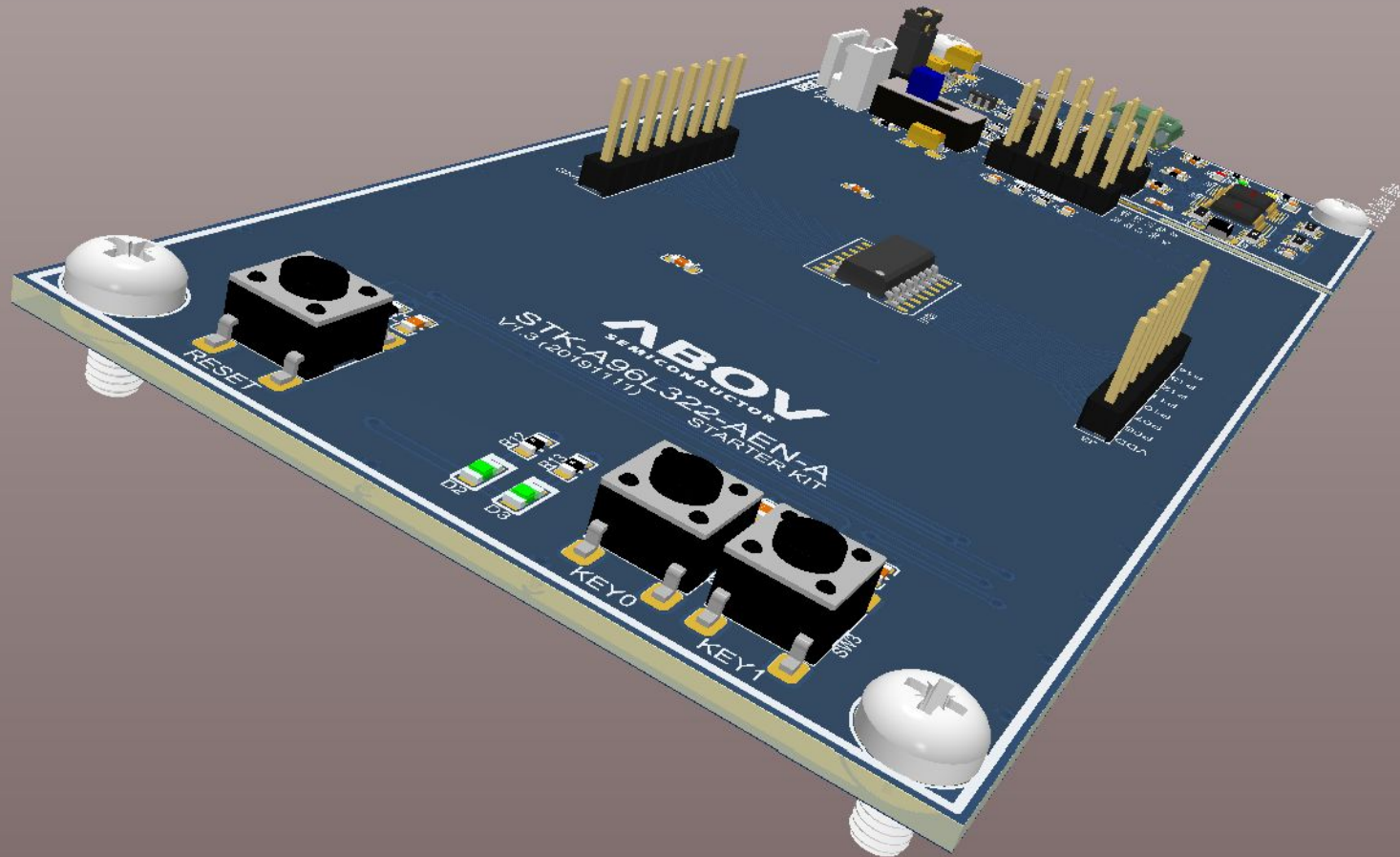
Txd VDD
Rxd GND
R_f SCL
GND SDA
NC NC



ABOV
SEMICONDUCTOR
STK-A96L322-AEN-A
V1.3 (20191111) STARTER KIT







ABOV
SEMICONDUCTOR
STK-A96L-322-AEN-A
STARTER KIT
V1.5 (20191111)

RESET

KEY0

KEY1

D2
D3

VCC
GND
IO1
IO2
IO3
IO4
IO5

5V1