

# CMOS Single-chip 8-bit Microcontroller with 12-bit A/D Converter and LCD Driver

## Main features

- **8-bit Microcontroller With High Speed 8051 CPU**
- **Basic Functions of the Microcontroller**
  - 48 Kbytes Flash Code Memory
  - 1280 bytes SRAM(IRAM 256 bytes + XRAM 1024 bytes)
- **Built-in Analog Function**
  - Power-On Reset and Low Voltage Detect Reset
  - Internal 8 MHz HFIRC Oscillator ( $\pm 1.0\%$ ,  $T_A = -10 \sim +55^\circ\text{C}$ , User trim)
  - Internal 32 kHz LFIRC Oscillator ( $\pm 5.0\%$ ,  $T_A = -10 \sim +55^\circ\text{C}$ )
  - Watchdog Timer RC Oscillator (5kHz)
- **Peripheral Features**
  - 12-bit Analog to Digital Converter (5 inputs)
  - LCD Driver (32 Segments x 8 Commons)
  - 16-bit CRC/Checksum Generator
  - Built-in Transistor for IR LED Drive
- **I/O and Packages**
  - 13 I/O, 46 Shared I/O with LCD signal
  - 64LQFP, 64QFN, 48LQFP, 48QFN
  - Pb-free package
- **Operating Conditions**
  - 1.8V to 5.5V Wide Voltage Range
  - $-40^\circ\text{C}$  to  $85^\circ\text{C}$  Temperature Range
- **Application**
  - Home appliance, Industrial Control

## A96R739

### User's Manual

Rev. 1.04

Revised 23 July, 2024

## Revision history

Revision	Date	Revision list
1.0	2017.11.27	Published this book.
1.1	2018.04.27	Updated 64-Pin QFN-0909/48-Pin QFN-0707 package diagrams in Chapter 4. Package Diagram.
1.2	2018.09.07	Change Max and Min value of REM Output High Current in 7.11 DC Characteristics. Add Device Nomenclature. Add notes about External Interrupt register in Chapter 10.12.7 Register Description for Interrupt. More descriptions in Chapter 11.8.3 16-bit Capture Mode. Change Figure 11.31 16-Bit Capture Mode for Timer 3. Change Figure 11.34 16-Bit Timer 3 Block Diagram. Fix the typo.
1.3	2022.12.22	Modify a font.
1.03	2023.05.08	Changed the format of the revision number to "X.YY" according to internal policy.
1.04	2024.07.23	Revised this book. Added the new pin assignment for 48LQFP(A96R739CK).

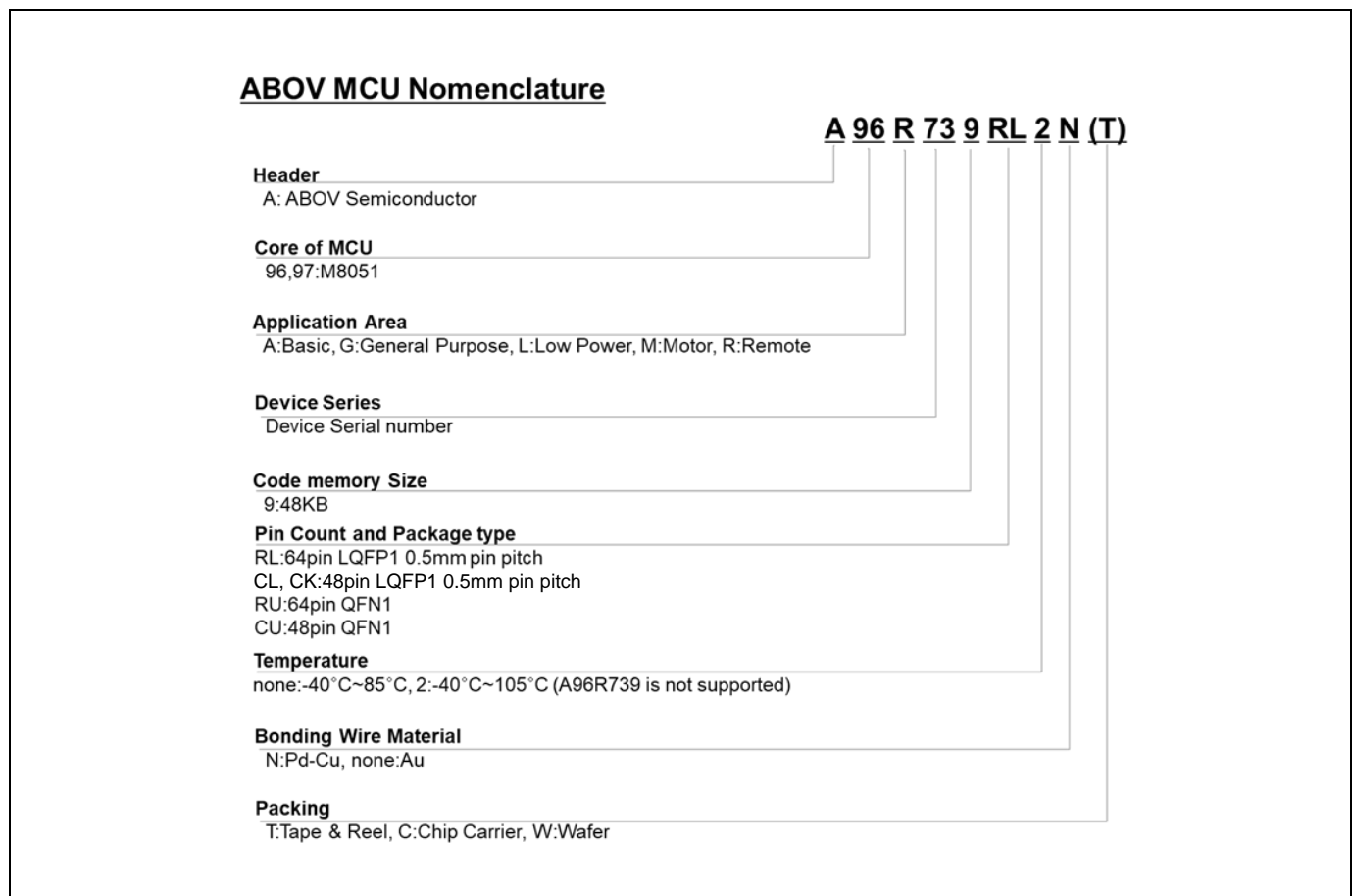
# 1 Overview

## 1.1 Description

The A96R739 is advanced CMOS 8-bit microcontroller with 48 Kbytes of FLASH. This is powerful microcontroller which provides a highly flexible and cost effective solution to many embedded control applications. This provides the following features : 48 Kbytes of FLASH, 256 bytes of IRAM, 1024 bytes of XRAM, general purpose I/O, basic interval timer, watchdog timer, 8/16-bit timer/counter, carrier generation, watch timer, buzzer driving port, 12-bit A/D converter, LCD driver, 16-bit CRC/Checksum Generator, Built-in Transistor for I.R LED Drive, on-chip POR, LVR, LVI, on-chip oscillator and clock circuitry. The A96R739 also supports power down modes to reduce power consumption.

Device name	FLASH	IRAM	XRAM	ADC	I/O PORT	Package
A96R739RL	48 Kbytes	256 bytes	1024 bytes	5 inputs	59	64LQFP-1010
A96R739RU				5 inputs	59	64QFN-0909
A96R739CL				2 inputs	43	48LQFP-0707
A96R739CK				2 inputs	45	48LQFP-0707
A96R739CU				2 inputs	43	48QFN-0707

**Table 1 Ordering Information of A96R739**



**Figure 1 Device Nomenclature**

## 1.2 Features

- **CPU**
  - 8-bit CISC core (M8051, 2 clocks per cycle)
- **ROM (FLASH) Capacity**
  - 48 Kbytes Flash with self read/write capability
  - On Chip debug and In-System Programming(ISP)
  - Endurance : 10,000 times(Sector 0~763)  
100,000 times(Sector 764~767)
  - Retention : 10 years
- **256 bytes IRAM**
- **1024 bytes XRAM**
  - 38 bytes including LCD display RAM
- **General Purpose I/O (GPIO)**
  - Normal I/O : 13 Ports  
(P4[7], P5[6:0], P6[4:0])
  - LCD shared I/O : 46 Ports  
(P0[7:0], P1[7:0], P2[7:0], P3[6:0], P4[6:0], P7[7:0])
- **Basic Interval Timer (BIT)**
  - 8-bitx 1-ch
- **Watch Dog Timer (WDT)**
  - 8-bitx 1-ch
  - 5kHz internal RC oscillator
- **Timer/Counter**
  - 8-bitx 2-ch(T0/T1), 16-bitx 2-ch (T2/T3)
  - 16-bit Interval Timer x 1ch
- **Carrier Generation**
  - Carrier generation (by T1), T3 Clock source
- **Programmable Pulse Generation**
  - Pulse generation (by T2/T3)
  - 8-Bit PWM (by T0)
- **Watch Timer (WT)**
  - 3.91ms/0.25s/0.5s/1s/1min interval at 32.768kHz
- **Buzzer**
  - 8-bitx 1-ch
- **UART**
  - 8-bitx 1-ch
- **12-bit A/D Converter**
  - 5 Input channels
- **LCD Driver**
  - 32 Segments and 8 Common
  - 1/2, 1/3, 1/4, 1/5, 1/6, 1/8 duty selectable
  - Voltage booster and 16-step contrast control
- **16-Bit CRC/Checksum Generator**
  - Auto and User CRC/Checksum mode
- **Built-in Transistor for I.R LED Drive**
  - IOL = 630mA at 3V and VOL = 1.0V
- **Power On Reset**
  - Reset release level (1.4V)
- **Low Voltage Reset**
  - 14 level detect (1.60/2.05/2.15/2.25/2.37/2.50/2.65/2.82/ 3.01/ 3.22/3.47/3.76/4.10/4.51V)
- **Low Current Low Voltage Reset**
  - 1.80V ± 90mV, 0.9uA Operating Current
- **Low Voltage Indicator**
  - 13 level detect (2.05/2.15/2.25/2.37/2.50/2.65/2.82/ 3.01/ 3.22/ 3.47/ 3.76/ 4.10/ 4.51V)
- **Interrupt Sources**
  - External Interrupts  
(EINT0 ~ EINT7, EINT10, EINT12, EINT13) (11)
  - Timer0/1/2/3 (5), Interval Timer (1)
  - WDT (1), BIT (1), WT (1)
  - ADC (1), UART (2), LVI (1)
- **Internal RC Oscillator**
  - HFIRC frequency:  
8MHz ±1.0% (TA= -10 ~ +55°C, User trim)
  - LFIRC frequency:  
32kHz ±5.0% (TA= -10 ~ +55°C)
- **Power Down Mode**
  - STOP, IDLE mode
- **Operating Voltage and Frequency**
  - 1.8V ~ 5.5V (@ 32 ~ 38kHz with SX-tal)
  - 2.0V ~ 5.5V (@ 0.4 ~ 4.2MHz with X-tal, Crystal)
  - 1.8V ~ 5.5V (@ 0.4 ~ 4.2MHz with X-tal, Ceramic)
  - 2.4V ~ 5.5V (@ 0.4 ~ 8.0MHz with X-tal)
  - 3.0V ~ 5.5V (@ 0.4 ~ 12.0MHz with X-tal)
  - 1.8V ~ 5.5V (@ 0.5MHz ~ 8MHz with HFIRC)
  - 1.8V ~ 5.5V (@ 4kHz ~ 32kHz with LFIRC)
  - Voltage dropout converter included for core
- **Minimum Instruction Execution Time**
  - 167ns (@12MHz main clock)
  - 61us (@ 32.768kHz sub clock)
- **Operating Temperature**
  - -40 ~ +85°C
- **Oscillator Type**
  - 0.4-12MHz Crystal or Ceramic for main clock
  - 32.768kHz Crystal for sub clock
- **Package Type**
  - 64-Pin LQFP-1010/48-Pin LQFP-0707
  - 64-Pin QFN-0909/48-Pin QFN-0707
  - Pb-free package

### 1.3 Development tools

#### 1.3.1 Compiler

We do not provide the compiler. Please contact the third parties.

The core of A96R739 is Mentor 8051. And, device ROM size is smaller than 64k bytes. Developer can use all kinds of third party's standard 8051 compiler.

#### 1.3.2 OCD(On-chip debugger) emulator and debugger

The OCD (On Chip Debug) emulator supports ABOV Semiconductor's 8051 series microcontroller emulation.

The OCD interface uses two-wire interfacing between PC and microcontroller which is attached to user's system. The OCD can read or change the value of the microcontroller's internal memory and I/O peripherals. And the OCD also controls the microcontroller's internal debugging logic, it means OCD controls emulation, step run, monitoring, etc.

The OCD Debugger program works on all Microsoft-Windows operating system.

If you want to see more details, please refer to OCD debugger manual. You can download debugger S/W and manual from our web-site([www.abovsemi.com](http://www.abovsemi.com)).

Connection:

- DSCL (A96R739 P33 port)
- DSDA (A96R739 P32 port)

OCD connector diagram: Connect OCD with user system



Figure 2 Debugger(OCD1/OCD2) and Pin description

### 1.3.3 Programmer

Single programmer :

E-PGM+ : It programs the microcontroller device directly.

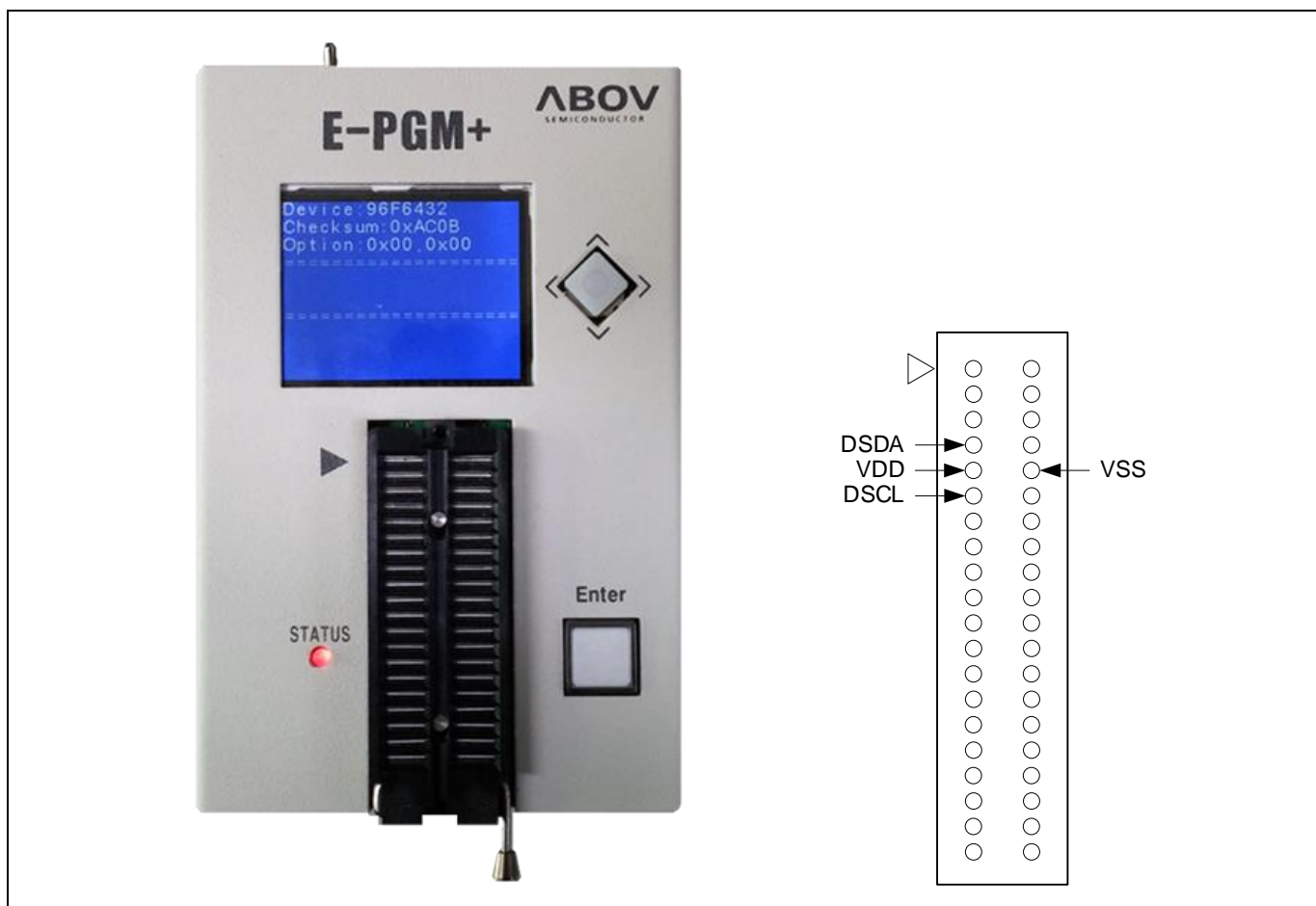


Figure 3 E-PGM+(Single writer)

OCD emulator:

It can write code to the microcontroller device too, because OCD debugger supports ISP (In System Programming).It does not require additional H/W, except developer's target system.

Gang programmer: E-GANG4 and E-GANG6

- It can run PC controlled mode.
- It can run standalone without PC control too.
- USB interface is supported.
- Easy to connect to the handler.



Figure 4 E-GANG4 and E-GANG6 (for Mass Production)

## 1.4 MTP programming

### 1.4.1 Overview

The program memory of A96R739 is MTP Type. This flash is accessed by serial data format. There are four pins(DSCL, DSDA, VDD, VSS) for programming/reading the flash.

Pin name	Main chip pin name	During programming	
		I/O	Description
DSCL	P33	I	Serial clock pin. Input only pin.
DSDA	P32	I/O	Serial data pin. Output port when reading and input port when programming. Can be assigned as input/push-pull output port.
VDD, VSS	VDD, VSS	-	Logic power supply pin.

**Table 2** Descriptions of pins which are used to programming/reading the Flash

### 1.4.2 On-Board programming

The A96R739 needs only four signal lines including VDD and VSS pins for programming FLASH with serial protocol. Therefore the on-board programming is possible if the programming signal lines are considered when the PCB of application board is designed.



### 1.4.3 Circuit Design Guide

At the FLASH programming, the programming tool needs 4 signal lines that are DSCL, DSDA, VDD and VSS. When you design the PCB circuits, you should consider the usage of these signal lines for the on-board programming.

Please be careful to design the related circuit of these signal pins because rising/falling timing of DSCL and DSDA is very important for proper programming.

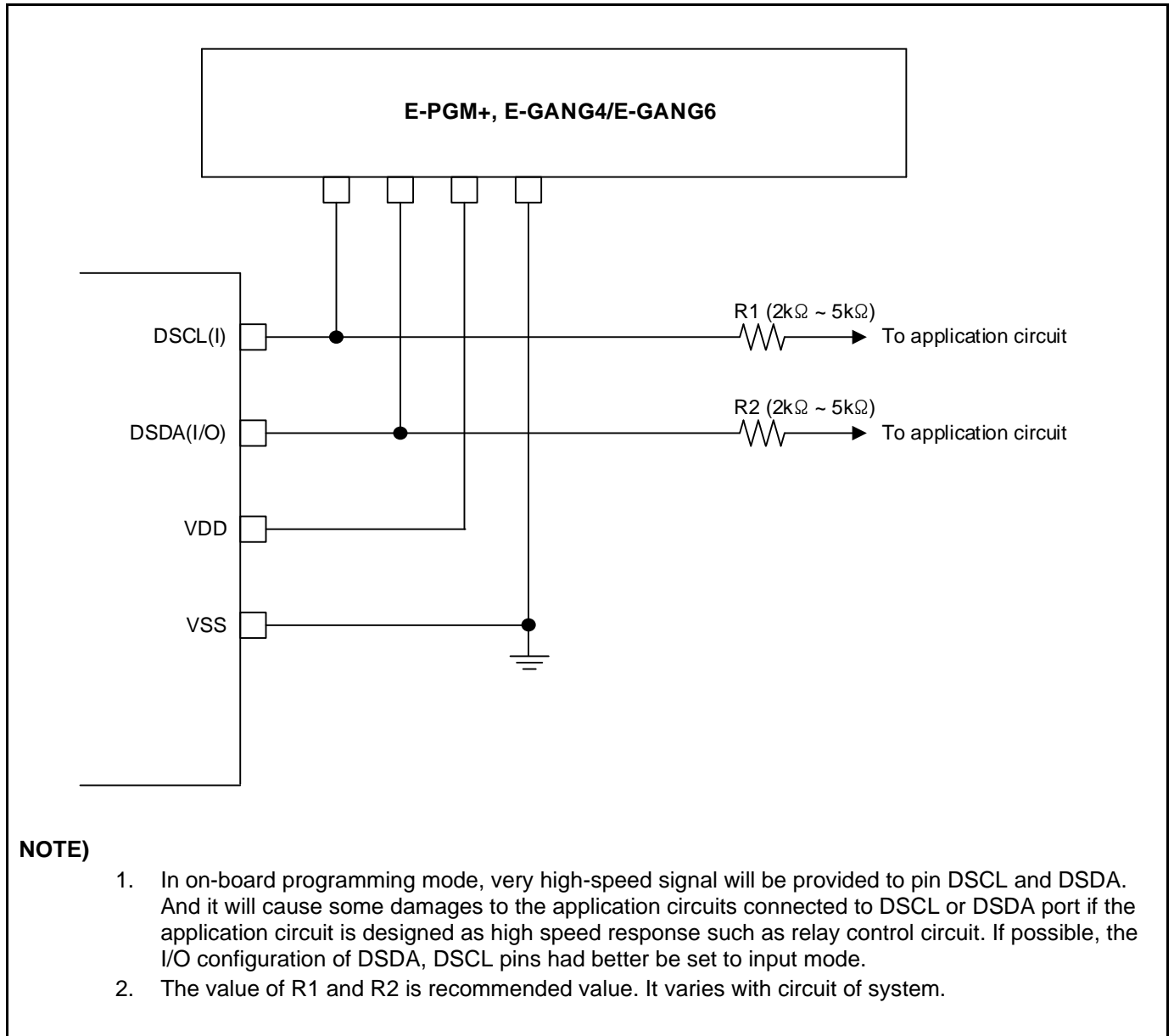


Figure 5 PCB design guide for on board programming

## 2 Block diagram

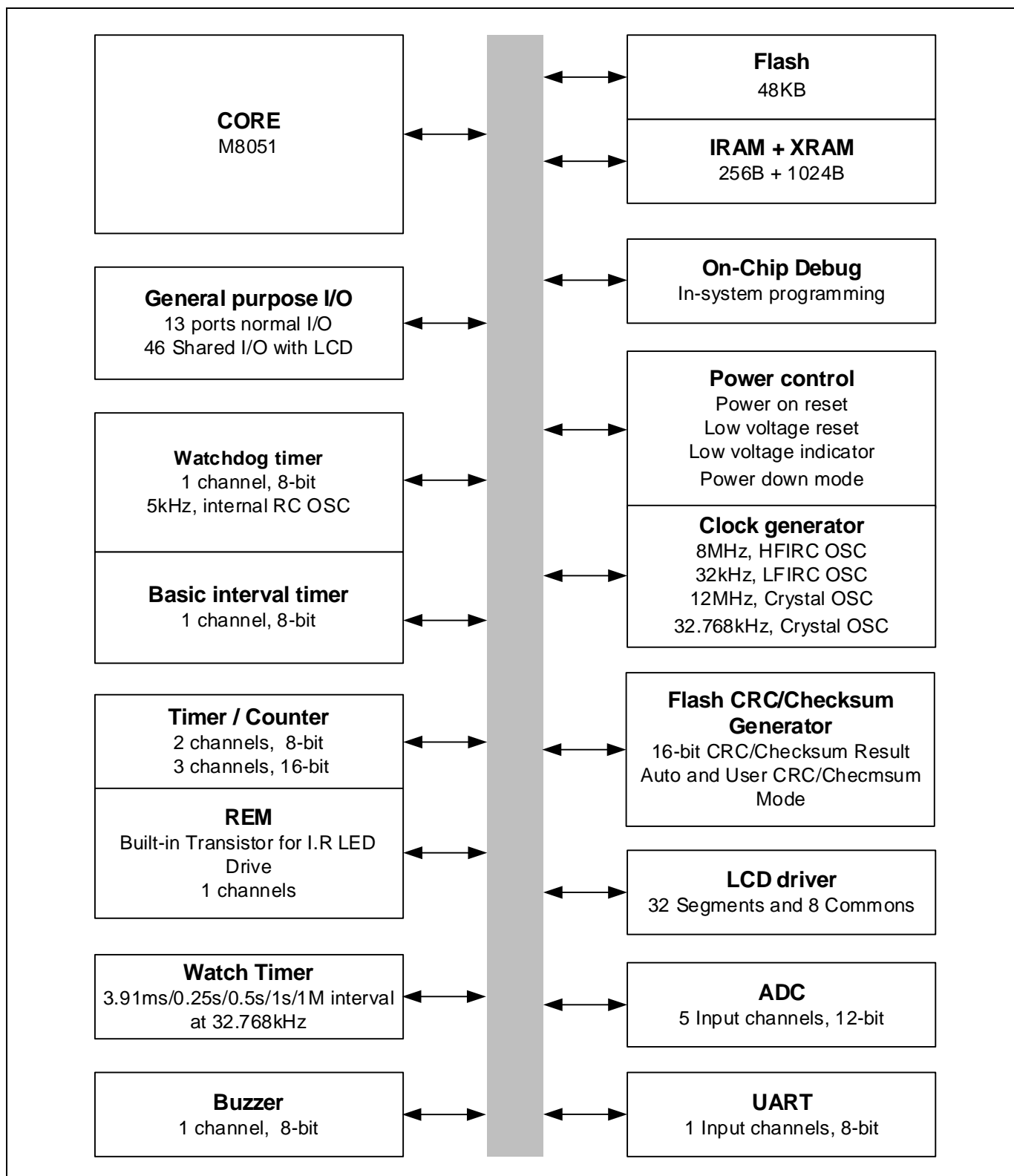
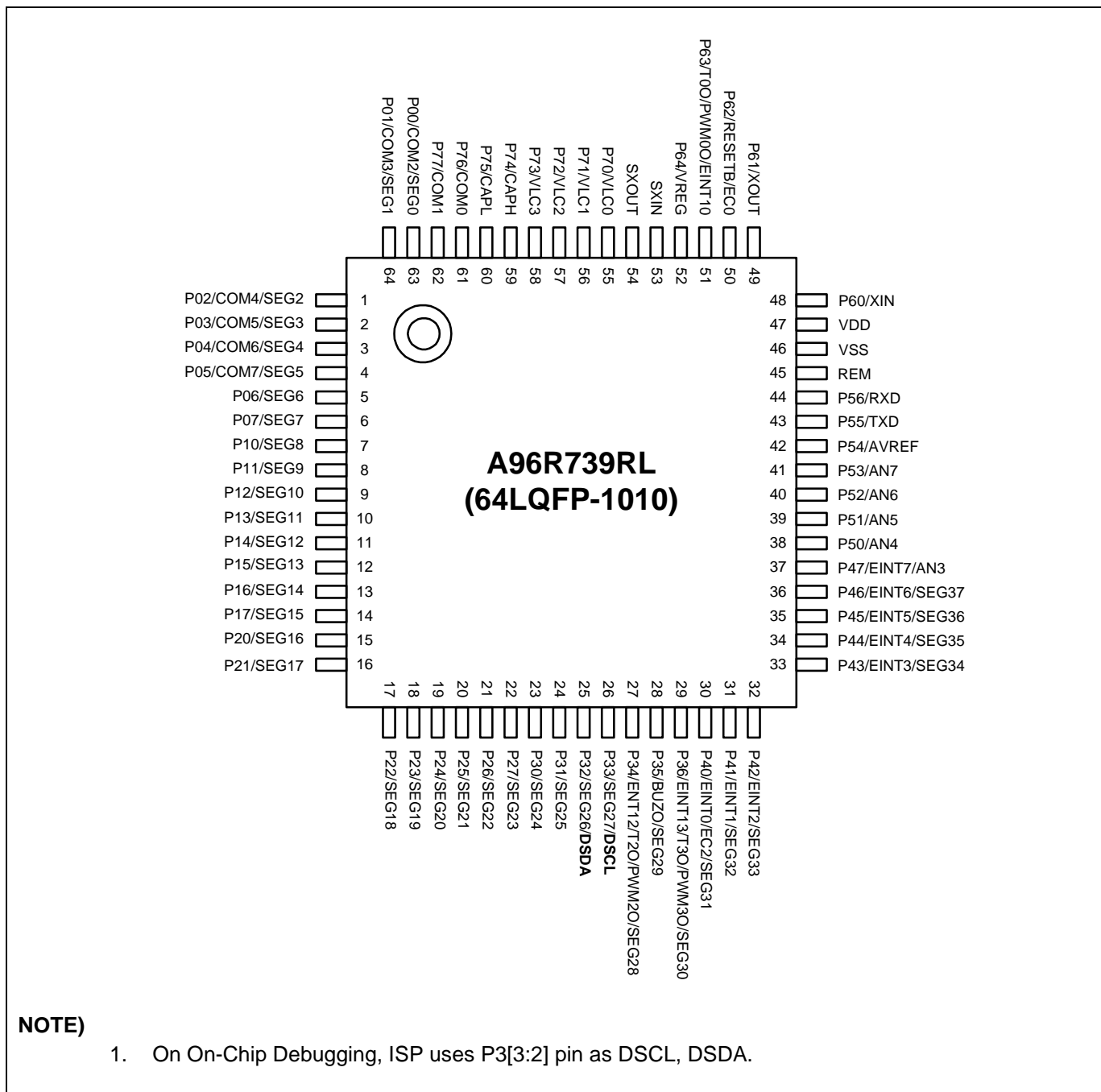


Figure 6 Block diagram of A96R739

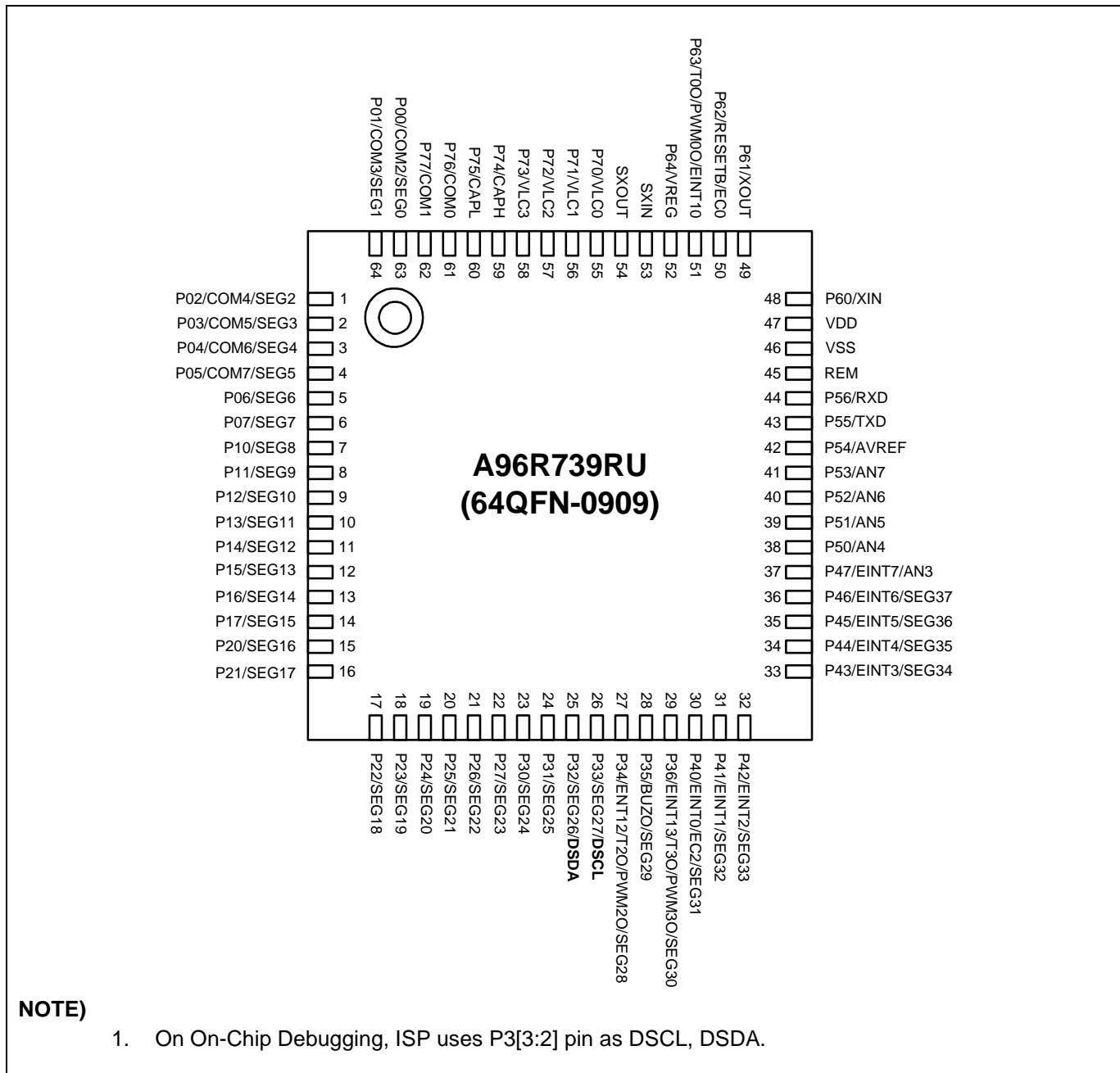
### 3 Pin assignment



**NOTE)**

1. On On-Chip Debugging, ISP uses P3[3:2] pin as DSCL, DSDA.

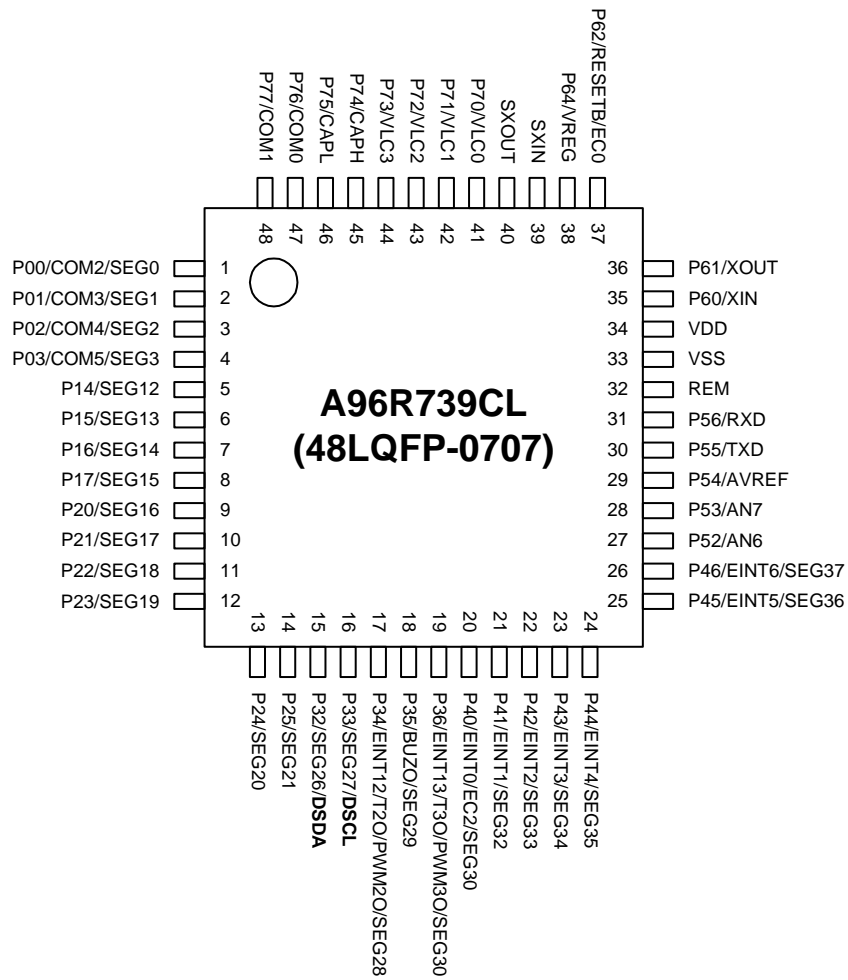
**Figure 7 A96R739RL 64LQFP Pin Assignment**



**NOTE)**

1. On On-Chip Debugging, ISP uses P3[3:2] pin as DSCL, DSDA.

**Figure 8 A96R739RU 64QFN Pin Assignment**



**NOTE)**

1. On On-Chip Debugging, ISP uses P3[3:2] pin as DSCL, DSDA.
2. The P04-P07, P10-P13, P26-P27, P30-P31, P47, P50-P51 and P63 pins should be selected as a push-pull output or an input with pull-up resistor by software control when the 48-pin package(A96R739CL) is used.

**Figure 9 A96R739CL 48LQFP Pin Assignment**

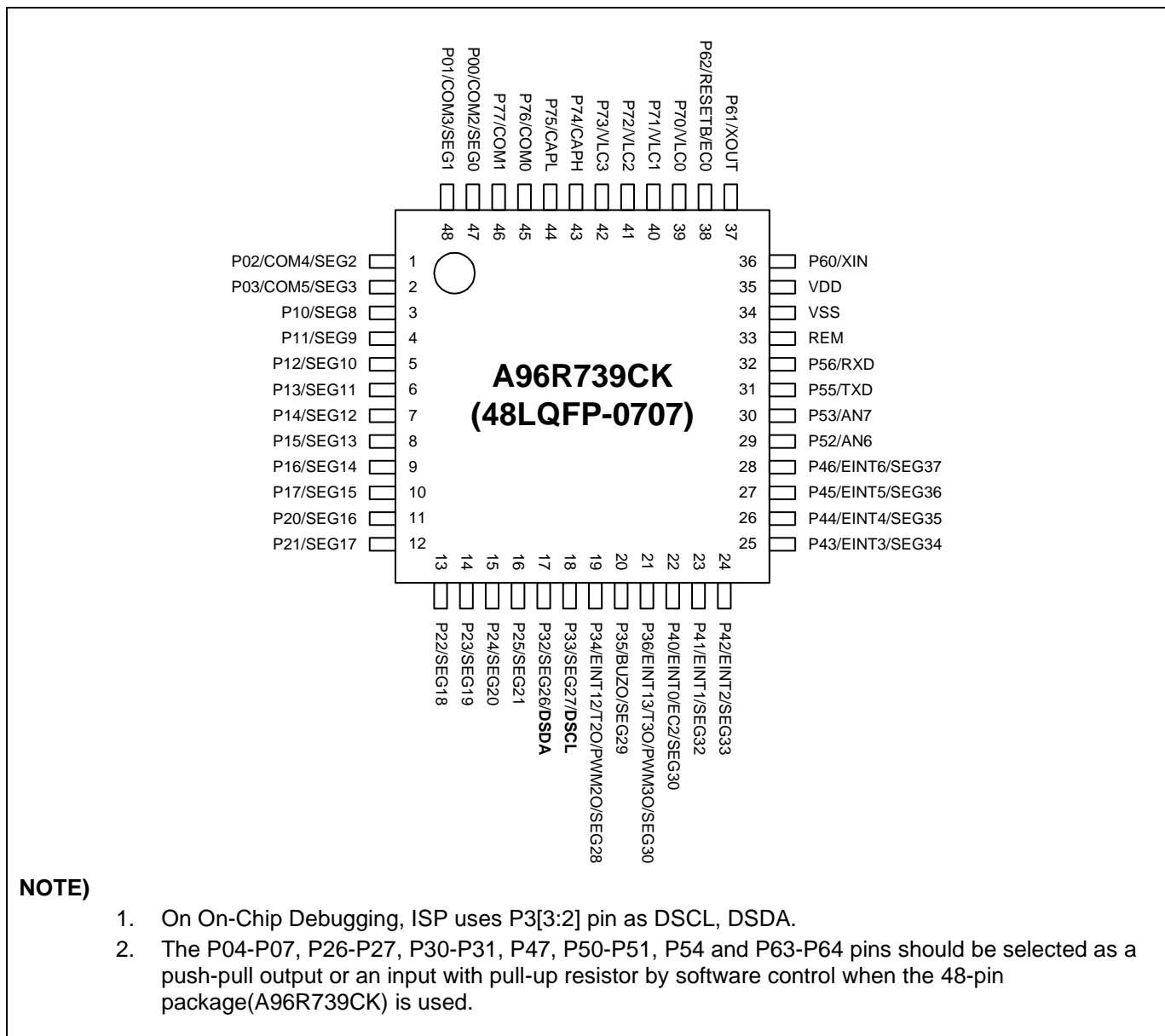
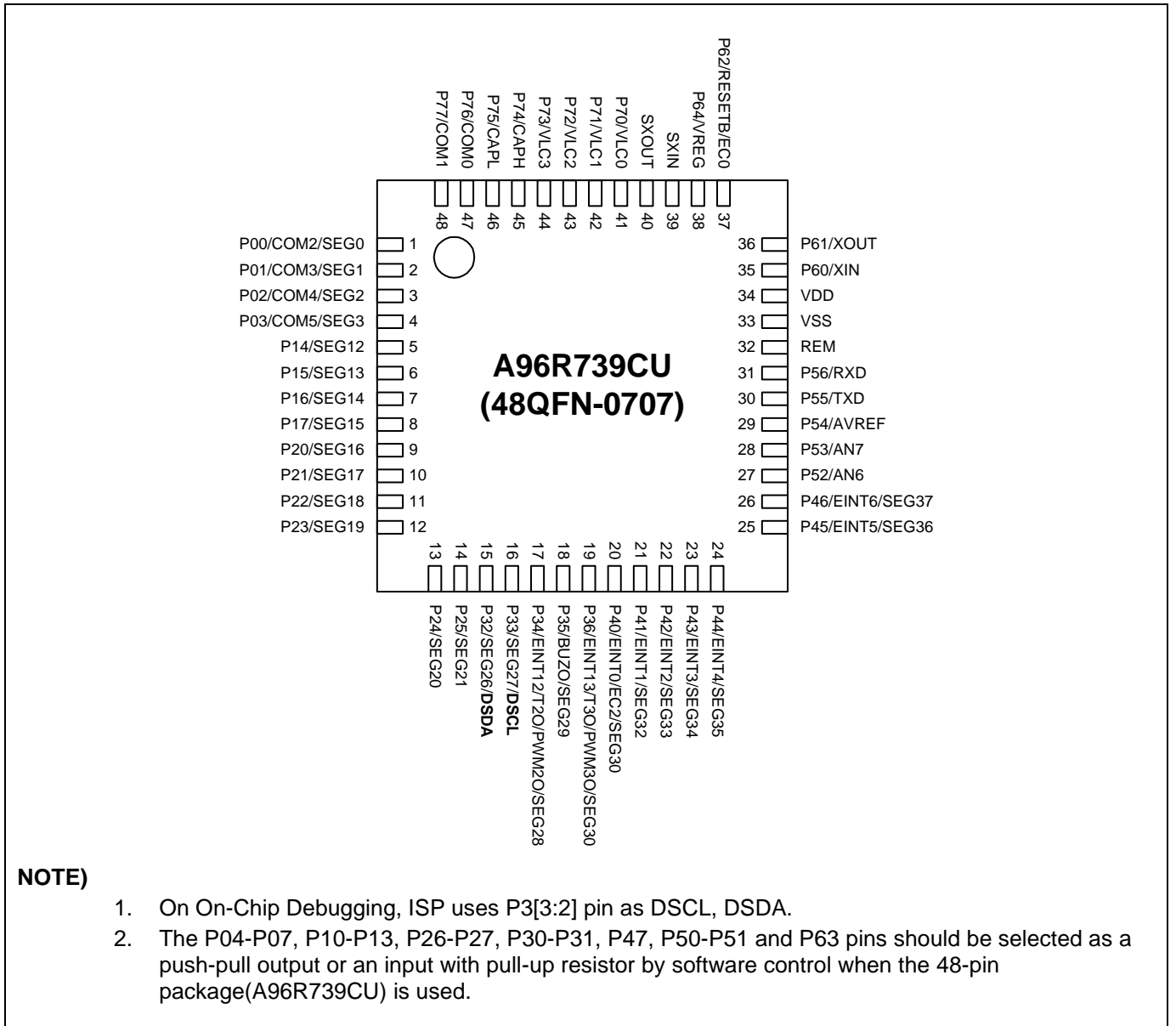


Figure 10 A96R739CK 48LQFP Pin Assignment



**NOTE)**

1. On On-Chip Debugging, ISP uses P3[3:2] pin as DSCL, DSDA.
2. The P04-P07, P10-P13, P26-P27, P30-P31, P47, P50-P51 and P63 pins should be selected as a push-pull output or an input with pull-up resistor by software control when the 48-pin package(A96R739CU) is used.

**Figure 11 A96R739CU 48QFN Pin Assignment**

# 4 Package Diagram

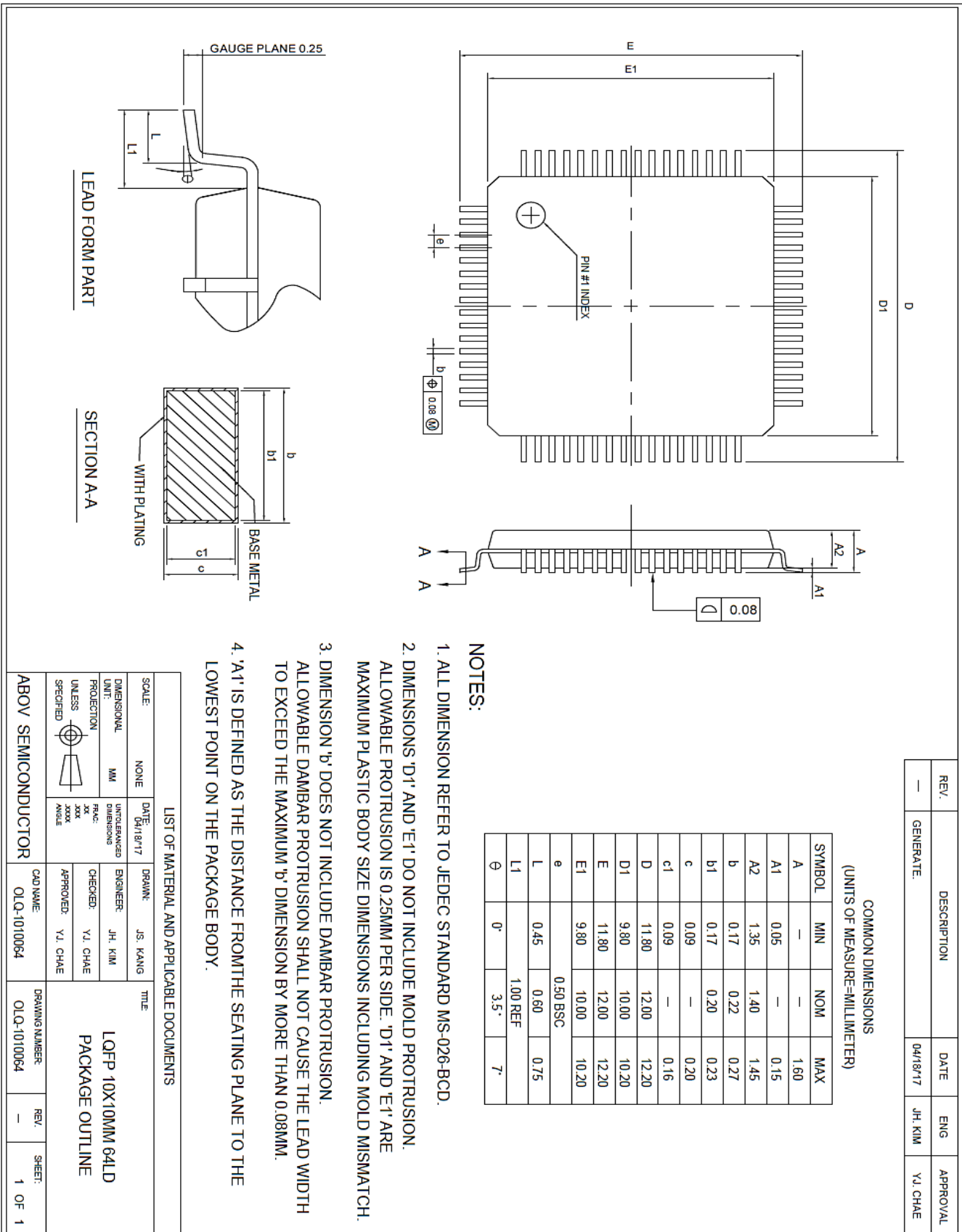
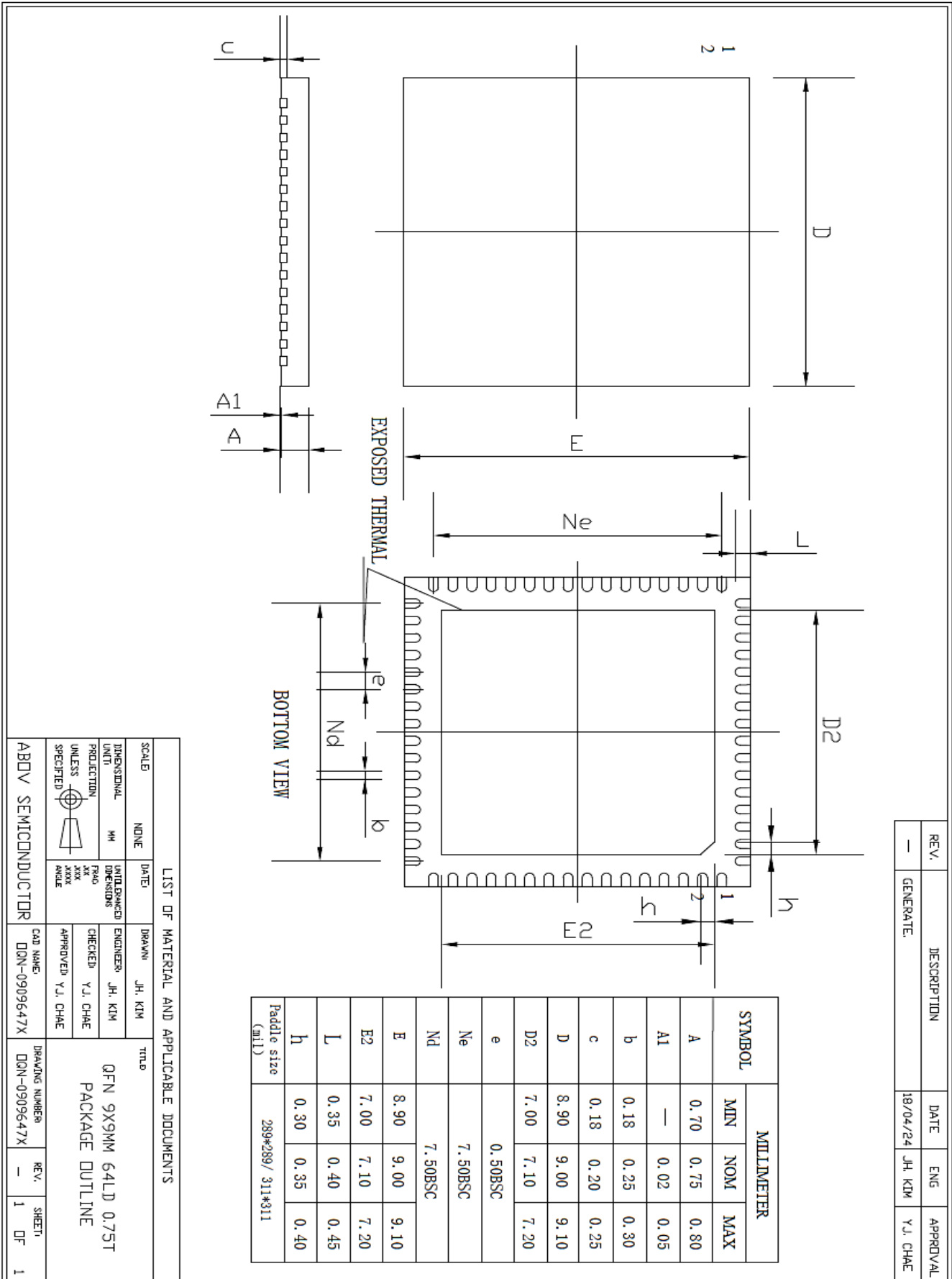


Figure 12 64-Pin LQFP-1010 Package





REV.	DESCRIPTION	DATE	ENG	APPROVAL
—	GENERATE	18/04/24	JH. KIM	Y.J. CHAE

Figure 13 64-Pin QFN-0909 Package

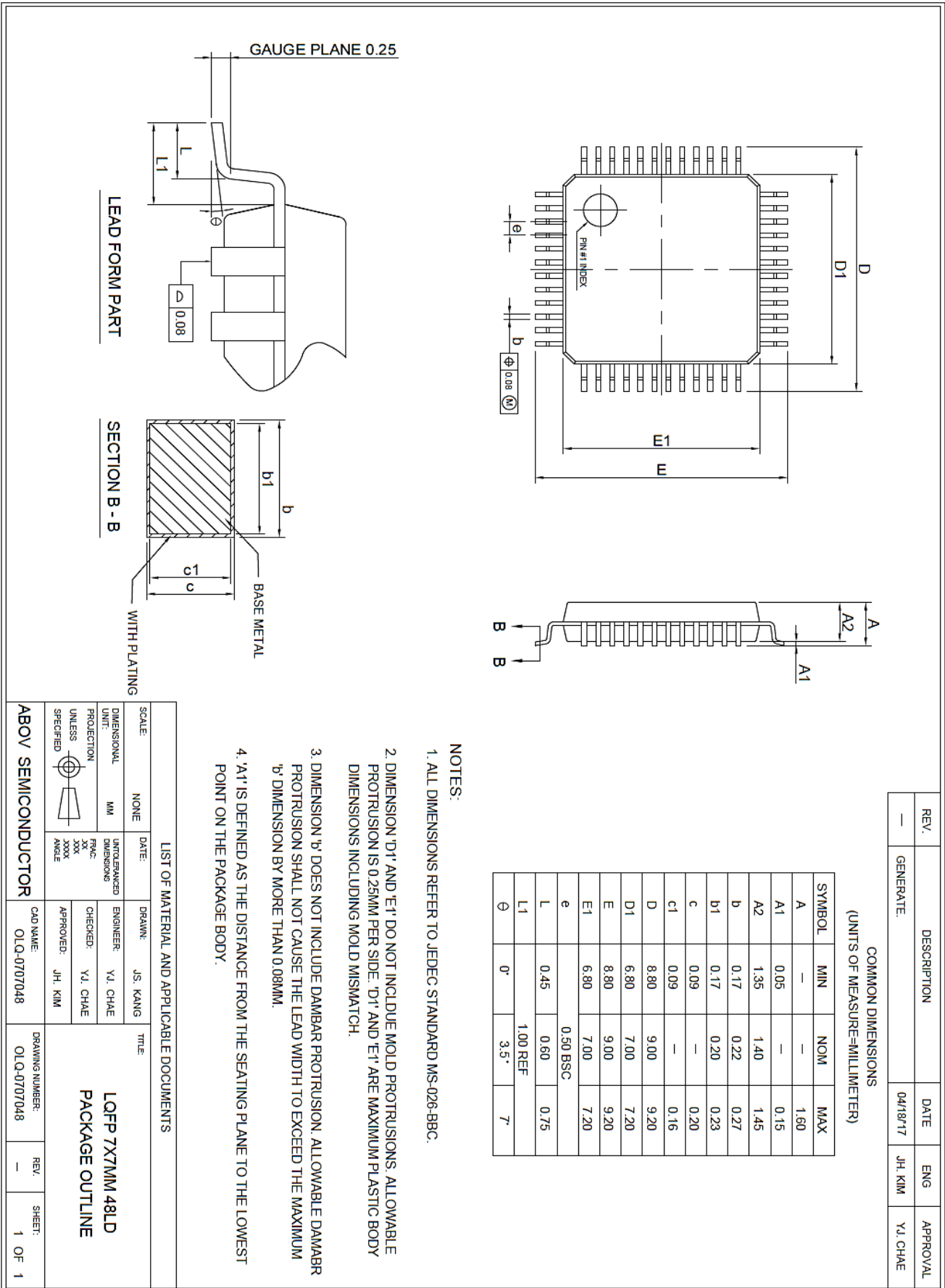


Figure 14 48-Pin LQFP-0707 Package

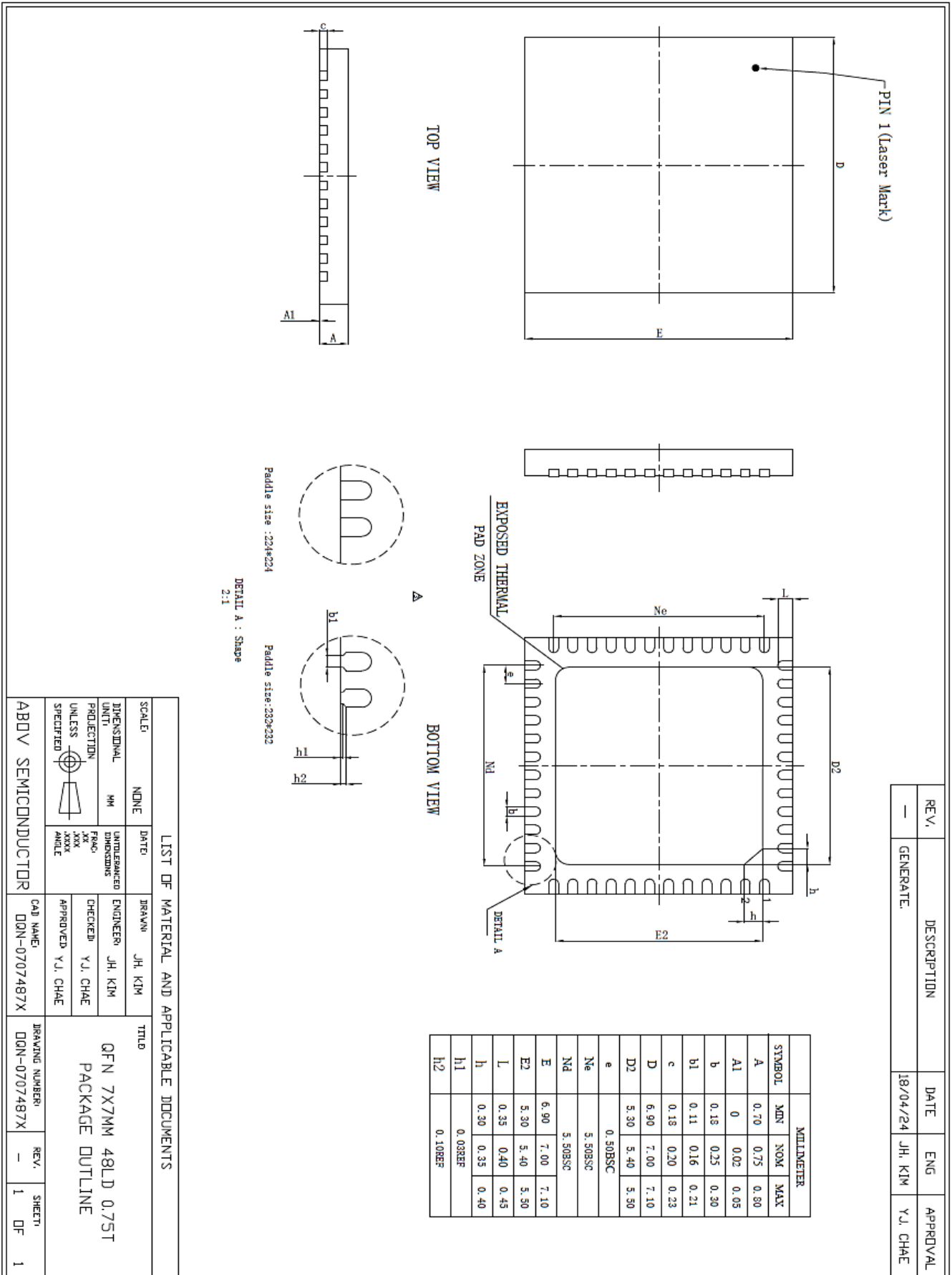


Figure 15 48-Pin QFN-0707 Package

## 5 Pin Description

PIN name	I/O	Function	@RESET	Shared with
P00	I/O	Port 0 is a bit-programmable I/O port which can be configured as an input, a push-pull output or an open-drain output. A pull-up resistor can be specified in 1-bit unit. The P04–P07 are not in the A96R739CL/CK/CU package.	Input	COM2/SEG0
P01				COM3/SEG1
P02				COM4/SEG2
P03				COM5/SEG3
P04				COM6/SEG4
P05				COM7/SEG5
P06				SEG6
P07				SEG7
P10	I/O	Port 1 is a bit-programmable I/O port which can be configured as an input, a push-pull output, or an open-drain output. A pull-up resistor can be specified in 1-bit unit. The P10–P13 are not in the A96R739CL/CU package.	Input	SEG8
P11				SEG9
P12				SEG10
P13				SEG11
P14				SEG12
P15				SEG13
P16				SEG14
P17				SEG15
P20	I/O	Port 2 is a bit-programmable I/O port which can be configured as an input, a push-pull output, or an open-drain output. A pull-up resistor can be specified in 1-bit unit. The P26–P27 are not in the A96R739CL/CK/CU package.	Input	SEG16
P21				SEG17
P22				SEG18
P23				SEG19
P24				SEG20
P25				SEG21
P26				SEG22
P27				SEG23
P30	I/O	Port 3 is a bit-programmable I/O port which can be configured as an input (P32 – P36: Schmitt trigger input), a push-pull output, or an open-drain output. A pull-up resistor can be specified in 1-bit unit. The P30–P31 are not in the A96R739CL/CK/CU package.	Input	SEG24
P31				SEG25
P32				SEG26/DSDA
P33				SEG27/DSCL
P34				ENIT12/T20/PWM20/SEG28
P35				BUZO/SEG29
P36				EINT13/T30/PWM30/SEG30
P40				I/O
P41	EINT1/SEG32			
P42	EINT2/SEG33			
P43	EINT3/SEG34			
P44	EINT4/SEG35			
P45	EINT5/SEG36			
P46	EINT6/SEG37			
P47	EINT7/AN3			

**Table 3 Normal Pin Description**

PIN name	I/O	Function	@RESET	Shared with
P50	I/O	Port 5 is a bit-programmable I/O port which can be configured as a schmitt-trigger input, a push-pull output, or an open-drain output. A pull-up resistor can be specified in 1-bit unit. The P50–P51 are not in the A96R739CL/CU package. The P50–P51 and P54 are not in the A96R739CK package.	Input	AN4
P51				AN5
P52				AN6
P53				AN7
P54				AVREF
P55				TXD
P56				RXD
P60	I/O	Port 6 is a bit-programmable I/O port which can be configured as a schmitt-trigger input, a push-pull output, or an open-drain output. A pull-up resistor can be specified in 1-bit unit. The P63 is not in the A96R739CL/CU package. The P63–P64 are not in the A96R739CK package.	Input	XIN
P61				XOUT
P62				RESETB/EC0
P63				T00/PWM00/ENT10
P64				VREG
P70	I/O	Port 7 is a bit-programmable I/O port which can be configured as an input, a push-pull output, or an open-drain output. A pull-up resistor can be specified in 1-bit unit.	Input	VLC0
P71				VLC1
P72				VLC2
P73				VLC3
P74				CAPL
P75				CAPH
P76				COM0
P77				COM1
EINT10	I/O	External interrupt and Timer 0 capture input	Input	P63/T00/PWM00
EINT12	I/O	External interrupt and Timer 2 capture input	Input	P34/T20/PWM20/SEG28
EINT13	I/O	External interrupt and Timer 3 capture input	Input	P36/T30/PWM30/SEG30
EINT0	I/O	External interrupt inputs	Input	P40/EC2/SEG31
EINT1				P41/SEG32
EINT2				P42/SEG33
EINT3				P43/SEG34
EINT4				P44/SEG35
EINT5				P45/SEG36
EINT6				P46/SEG37
EINT7				P47/AN3
T00	I/O	Timer 0 interval output	Input	P63/PWM00/EINT10
T20	I/O	Timer 2 interval output	Input	P34/PWM20/ENT12/SEG28
T30	I/O	Timer 3 interval output	Input	P36/PWM30/ENT13/SEG30
PWM00	I/O	Timer 0 PWM output	Input	P63/T00/EINT10
PWM20	I/O	Timer 2 pulse output	Input	P34/T20/ENT12/SEG28
PWM30	I/O	Timer 3 pulse output	Input	P36/T30/ENT13/SEG30
EC0	I/O	Timer 0 event count input	Input	P62/RESETB
EC2	I/O	Timer 2 event count input	Input	P40/EINT0/SEG31
REM	O	High current n-channel open-drain output for driving I.R. LED.	Output	–
BUZO	I/O	Buzzer signal output	Input	P35/SEG29
TXD	I/O	UART data output	Input	P55
RXD	I/O	UART data input	Input	P56

Table 3. Normal Pin Description (Continued)

PIN name	I/O	Function	@RESET	Shared with
AN3	I/O	A/D converter analog input channels	Input	P47/EINT7
AN4				P50
AN5				P51
AN6				P52
AN7				P53
VLC0-VLC3	I/O	LCD bias voltage pins	Input	P70-P73
CAPH	I/O	Capacitor terminals for voltage booster	Input	P74
CAPL			Input	P75
COM0	I/O	LCD common signal outputs	Input	P76
COM1				P77
COM2				P00/SEG0
COM3				P01/SEG1
COM4				P02/SEG2
COM5				P03/SEG3
COM6				P04/SEG4
COM7				P05/SEG5
SEG0	I/O	LCD segment signal outputs	Input	P00/COM2
SEG1				P01/COM3
SEG2				P02/COM4
SEG3				P03/COM5
SEG4				P04/COM6
SEG5				P05/COM7
SEG6				P06
SEG7				P07
SEG8-SEG15				P10-P17
SEG16-SEG23				P20-P27
SEG24				P30
SEG25				P31
SEG26				P32/DSDA
SEG27				P33/DSCL
SEG28				P34/EINT12/T2O/PWM2O
SEG29				P35/BUZO
SEG30				P36/EINT13/T3O/PWM3O
SEG31				P40/EINT0/EC2
SEG32				P41/EINT1
SEG33				P42/EINT2
SEG34				P43/EINT3
SEG35				P44/EINT4
SEG36				P45/EINT5
SEG37				P46/EINT6

Table 3. Normal Pin Description (Continued)

PIN name	I/O	Function	@RESET	Shared with
RESETB	I/O	System reset pin with a pull-up resistor when it is selected as the RESETB by "CONFIGURE OPTION"	Input	P62/EC0
DSDA	I/O	On chip debugger data input/output	Input	P32/SEG26
DSCL	I/O	On chip debugger clock input	Input	P33/SEG27
XIN	I/O	Main oscillator pins	Input	P60
XOUT				P61
SXIN, SXOUT	I/O	Sub oscillator pins	Input	–
VREG	I/O	Regulator voltage output for sub clock. 0.1uF capacitor needed.	Input	P64
AVREF	I/O	A/D converter reference voltage	Input	P54
VDD, VSS	–	Power input pins	–	–

**Table 3. Normal Pin Description (Concluded)**

**NOTE)**

1. The P62/RESETB/EC0 pin is configured as one of the P62/EC0 and the RESETB pin by the "CONFIGURE OPTION".
2. If the P32/SEG26/DSDA and P33/SEG27/DSCL pins are connected to an emulator during reset or power-on reset, the pins are automatically configured as the debugger pins.
3. The P32/SEG26/DSDA and P33/SEG27/DSCL pins are configured as inputs with an internal pull-up resistor only during the reset or power-on reset.
4. The P60/XIN and P61/XOUT pins are configured as a function pin by software control.
5. The P64/VREG pins are configured as a function pin by software control.
6. The P64/VREG pin should be configured as a VREG alternative function if a sub oscillator is used.
7. The P04-P07, P10-P13, P26-P27, P30-P31, P47, P50-P51 and P63 are not in the 48-pin package (A96R739CL/A96R739CU).
8. The P04-P07, P26-P27, P30-P31, P47, P50-P51, P54 and P63-P64 are not in the 48-pin package (A96R739CK).

## 6 Port Structures

### 6.1 General Purpose I/O Port

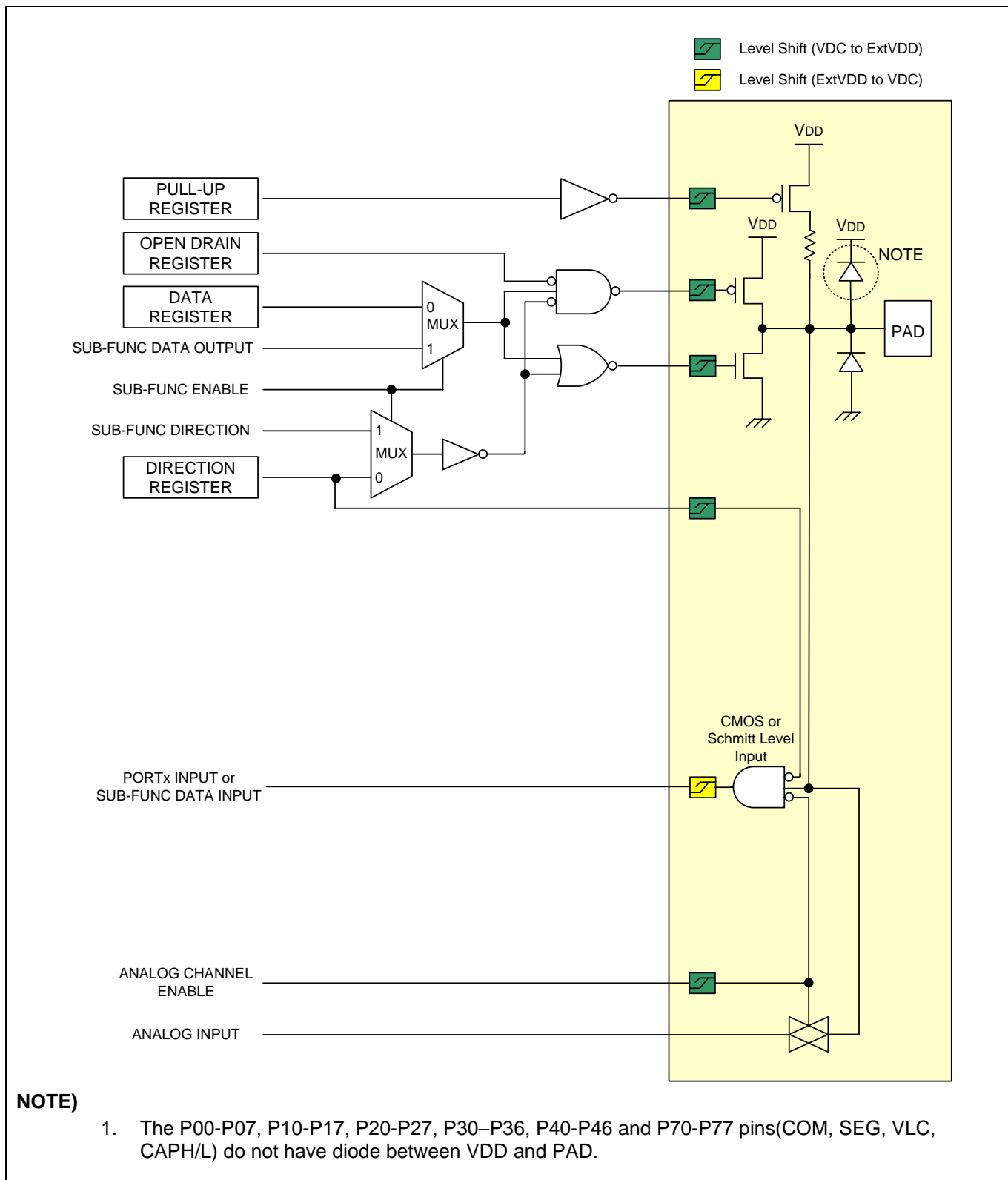


Figure 16 General Purpose I/O Port



## 6.2 External Interrupt I/O Port

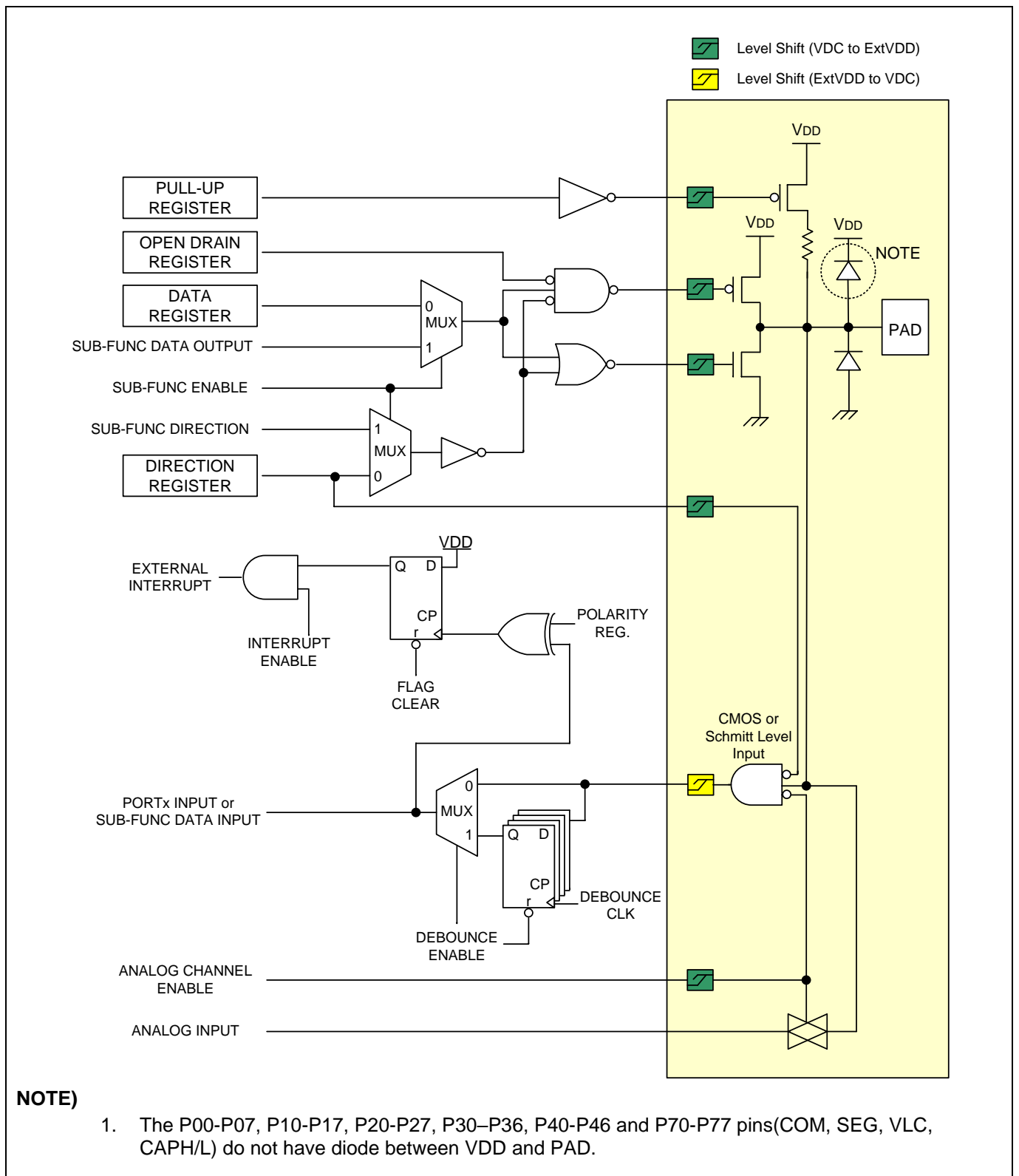


Figure 17 External Interrupt I/O Port

## 7 Electrical Characteristics

### 7.1 Absolute Maximum Ratings

Parameter	Symbol	Ratings	Unit	Note
Supply Voltage	VDD	-0.3 – +6.5	V	–
Normal Pin	V <sub>I</sub>	-0.3 – VDD+0.3	V	Voltage on any pin with respect to V <sub>SS</sub>
	V <sub>O</sub>	-0.3 – VDD+0.3	V	
	I <sub>OH</sub>	-10	mA	Maximum current output sourced by (I <sub>OH</sub> per I/O pin)
	ΣI <sub>OH</sub>	-80	mA	Maximum current (ΣI <sub>OH</sub> )
	I <sub>OL</sub>	60	mA	Maximum current sunk by (I <sub>OL</sub> per I/O pin)
	ΣI <sub>OL</sub>	120	mA	Maximum current (ΣI <sub>OL</sub> )
REM Output Pin	I <sub>OL</sub>	800	mA	Maximum current sunk by REM pin
Total Power Dissipation	P <sub>T</sub>	600	mW	–
Storage Temperature	T <sub>STG</sub>	-65 – +150	°C	–

**Table 4 Absolute Maximum Ratings**

**NOTE)**

- Stresses beyond those listed under “Absolute Maximum Ratings” may cause permanent damage to the device. This is a stress rating only and functional operation of the device at any other conditions beyond those indicated in the operational sections of this specification is not implied. Exposure to absolute maximum rating conditions for extended periods may affect device reliability.

### 7.2 Recommended Operating Conditions

(T<sub>A</sub>=-40°C ~ +85°C)

Parameter	Symbol	Conditions		Min	Max	Units	
Operating Voltage	VDD	fx = 32 – 38kHz	SX-tal	1.8	5.5	V	
		fx = 0.4 – 4.2MHz	X-tal	Ceramic	1.8		5.5
				Crystal	2.0		5.5
		fx = 0.4 – 8MHz	X-tal	2.4	5.5		
		fx = 0.4 – 12MHz		3.0	5.5		
		fx = 0.5 – 8MHz	HFIRC	1.8	5.5		
fx = 4.0 – 32kHz	LFIRC	1.8	5.5				
Operating Temperature	T <sub>OPR</sub>	VDD = 1.8 – 5.5V		-40	85	°C	

**Table 5 Recommended Operating Conditions**

### 7.3 A/D Converter Characteristics

( $T_A = -40^\circ\text{C} \sim +85^\circ\text{C}$ ,  $V_{DD} = 1.8\text{V} \sim 5.5\text{V}$ ,  $V_{SS} = 0\text{V}$ )

Parameter	Symbol	Conditions	Min	Typ	Max	Units
Resolution	–	–	–	12	–	bit
Integral Non-Linear	INL	AVREF=2.7V – 5.5V, $f_x=8\text{MHz}$	–	–	$\pm 6$	LSB
Differential Non-Linearity	DNL		–	–	$\pm 1$	
Top Offset Error	TOE		–	–	$\pm 5$	
Zero Offset Error	ZOE		–	–	$\pm 5$	
Conversion Time	$t_{\text{CONV}}$	AVREF=4.0V – 5.5V	20	–	–	us
		AVREF=3.0V – 5.5V	30	–	–	
		AVREF=2.7V – 5.5V	60	–	–	
Analog Input Voltage	$V_{\text{AIN}}$	–	VSS	–	AVREF	V
Analog Reference Voltage	AVREF	–	1.8	–	VDD	
Band Gap Reference Value <sup>(4)</sup>	$V_{\text{ALBGR}}$	VDD=3.3V, $T_A=25^\circ\text{C}$ , MSB align, 8 times average <sup>(5)</sup> , Internal Reference (REFSEL=0), Different from CNFMRR0/1 values and ADC result ("CNFMRR0/1" – "ADC result")	–	–	$\pm 50$	LSB
A/DC Input Leakage Current	$I_{\text{AIN}}$	AVREF=5.12V	–	–	10	$\mu\text{A}$
A/DC Current	$I_{\text{ADC}}$	Enable	–	1	2	mA
		Disable	–	–	0.1	$\mu\text{A}$

**Table 6 A/D Converter Characteristics**

#### NOTE)

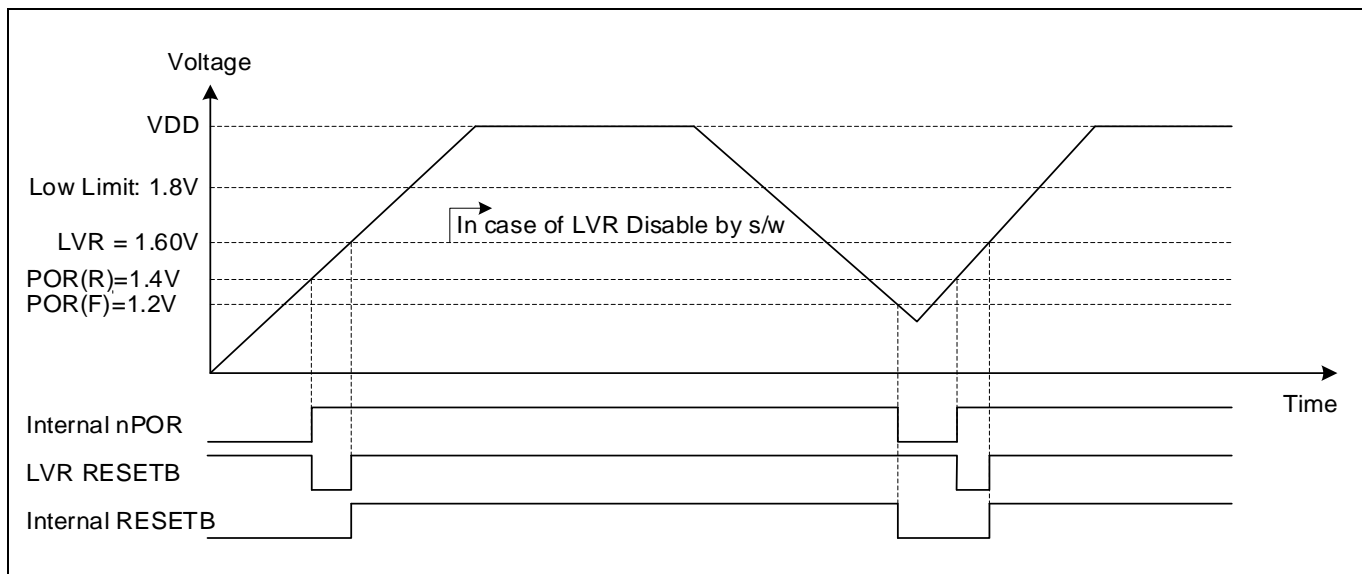
1. Zero offset error is the difference between 000000000000 and the converted output for zero input voltage (VSS).
2. Top offset error is the difference between 111111111111 and the converted output for top input voltage (AVREF).
3. If AVREF is less than 2.7V, the resolution degrades by 1-bit whenever AVREF drops 0.1V.  
(@ADCLK = 0.5MHz, Under 2.7V resolution has no test.)
4. The CNFMRR0/1 register of XRAM has an AD/C result value which reads  $V_{\text{BGR}}$  voltage at  $V_{\text{DD}}=3.3\text{V}$ .  
The CNFMRR0 has the value of ADCDRL[7:0] and CNFMRR1 has the value of ADCDRH[7:0].
5. It recommends to calculate 8 times average of remainder excluding minimum and maximum value.

### 7.4 Power-On Reset Characteristics

( $T_A = -40^{\circ}\text{C} \sim +85^{\circ}\text{C}$ ,  $V_{DD} = 1.8\text{V} \sim 5.5\text{V}$ ,  $V_{SS} = 0\text{V}$ )

Parameter	Symbol	Conditions	Min	Typ	Max	Units
Reset Release Level	$V_{POR}$	-	-	1.4	-	V
Hysteresis	$\Delta V$	-	-	0.2	-	V
VDD Voltage Rising Time	$t_R$	0.5V – 2.0V	0.05	-	30.0	V/ms
POR Current	$I_{POR}$	-	-	0.2	-	$\mu\text{A}$

**Table 7 Power-on Reset Characteristics**



**Figure 18 Power-on Reset Timing**

## 7.5 Low Voltage Reset and Low Voltage Indicator Characteristics

(T<sub>A</sub>=-40°C ~ +85°C, VDD=1.8V ~ 5.5V, VSS=0V)

Parameter	Symbol	Conditions	Min	Typ	Max	Units	
Detection Level	V <sub>LVR</sub> V <sub>LVI</sub>	The LVR can select all levels but LVI can select other levels except 1.60V.	–	1.60	1.79	V	
			1.90	2.05	2.20		
			2.00	2.15	2.30		
			2.10	2.25	2.40		
			2.22	2.37	2.52		
			2.35	2.50	2.65		
			2.45	2.65	2.85		
			2.62	2.82	3.02		
			2.81	3.01	3.21		
			3.02	3.22	3.42		
			3.27	3.47	3.67		
			3.46	3.76	4.06		
			3.80	4.10	4.40		
			4.21	4.51	4.81		
LVR Hysteresis	ΔV	–	–	50	150	mV	
LVI Hysteresis	ΔV	–	–	10	100		
Minimum Pulse Width	t <sub>LV</sub>	–	100	–	–	us	
LVR and LVI Current	I <sub>BL</sub>	Enable (Both)	VDD=3V, Run mode	–	14.0	24.0	uA
		Enable (One of two)		–	10.0	18.0	
		Disable (Both)	VDD=3V	–	–	0.1	

Table 8 LVR and LVI Characteristics

## 7.6 Low Current Low Voltage Reset Characteristics

(T<sub>A</sub>=-40°C ~ +85°C, VDD=1.8V ~ 5.5V, VSS=0V)

Parameter	Symbol	Conditions	Min	Typ	Max	Units
Detection Level	V <sub>LVR</sub>	T <sub>A</sub> = - 10°C to + 55°C	1.71	1.80	1.89	V
Hysteresis	ΔV	–	–	25	100	mV
LVR Current	I <sub>BL</sub>	VDD=3V, T <sub>A</sub> = 25°C	–	0.9	1.5	uA

Table 9 Low Current LVR Characteristics

### 7.7 High Frequency Internal RC Oscillator Characteristics

(T<sub>A</sub>=-40°C ~ +85°C, VDD=1.8V ~ 5.5V, VSS=0V)

Parameter	Symbol	Conditions	Min	Typ	Max	Units	
Frequency	f <sub>HFIRC</sub>	VDD = 2.0V – 5.5V	–	8	–	MHz	
Tolerance	–	T <sub>A</sub> = -10°C to + 55°C	With 0.1uF bypass capacitor	-2.0	–	+2.0	%
		T <sub>A</sub> = - 20°C to + 85°C		-3.0	–	+3.0	
		T <sub>A</sub> = - 40°C to + 85°C		-4.0	–	+4.0	
		T <sub>A</sub> = -10°C to + 55°C (User trim, Using only E-PGM+)		-1.0	–	+1.0	
Clock duty ratio	TOD	–	40	50	60	%	
Stabilization Time	t <sub>HFS</sub>	–	–	–	100	us	
HFIRC Current	I <sub>HFIRC</sub>	Enable	–	0.2	–	mA	
		Disable	–	–	0.1	uA	

**Table 10 High Frequency Internal RC Oscillator Characteristics**

**NOTE)**

1. User Trimming means the calibration of HFIRC frequency. Using E-PGM+.
2. To ensure ±1.0% tolerance of HFIRC frequency, it is necessary to do User Trimming.
3. Guaranteed by design, but might be On-Board programming after SMT process.  
(HFIRC Calibration with high temperature can cause the shift of the frequency, be sure to calibrate Enough to cool to near room temperature after SMT process)

### 7.8 Low Frequency Internal RC Oscillator Characteristics

(T<sub>A</sub>=-40°C ~ +85°C, VDD=1.8V ~ 5.5V, VSS=0V)

Parameter	Symbol	Conditions	Min	Typ	Max	Units	
Frequency	f <sub>LFIRC</sub>	VDD = 2.0V – 5.5V	–	32	–	kHz	
Tolerance	–	T <sub>A</sub> = -10°C to + 55°C	With 0.1uF bypass capacitor	-5.0	–	+5.0	%
Clock duty ratio	TOD	–		40	50	60	
Stabilization Time	t <sub>LFS</sub>	–	–	–	1	ms	
LFIRC Current	I <sub>LFIRC</sub>	Enable	VDD=5V	–	5	–	uA
		Disable		–	–	0.1	

**Table 11 Low Frequency Internal RC Oscillator Characteristics**

### 7.9 Internal Watch-Dog Timer RC Oscillator Characteristics

(T<sub>A</sub>=-40°C ~ +85°C, VDD=1.8V ~ 5.5V, VSS=0V)

Parameter	Symbol	Conditions	Min	Typ	Max	Units
Frequency	f <sub>WDTRC</sub>	–	2	5	10	kHz
Stabilization Time	t <sub>WDTS</sub>	–	–	–	1	ms
WDTRC Current	I <sub>WDTRC</sub>	Enable	–	1	–	uA
		Disable	–	–	0.1	

**Table 12 Internal WDTRC Oscillator Characteristics**

### 7.10 LCD Voltage Characteristics

( $T_A = -40^{\circ}\text{C} \sim +85^{\circ}\text{C}$ ,  $V_{DD} = 2.0\text{V} \sim 5.5\text{V}$ ,  $V_{SS} = 0\text{V}$ )

Parameter	Symbol	Conditions	Min	Typ	Max	Units
LCD Voltage	$V_{LC3}$	Voltage booster enabled, 1/2 bias	Typx0.93	1.0+(Nx0.05)	Typx1.07	V
		Voltage booster enabled, 1/3 and 1/4 bias	Typx0.93	0.75	Typx1.07	
				0.79		
				0.83		
				0.86		
				0.90		
				0.94		
				0.98		
				1.01		
				1.05		
				1.09		
				1.13		
				1.16		
				1.20		
1.24						
1.28						
1.31						
LCD Mid Bias Voltage	$V_{LC0/1/2}$	Voltage booster enabled, 1/2 bias, No panel load, $V_{DD} = 3\text{V}$	Typx0.9	$2 \times V_{LC3}$	Typx1.1	V
	$V_{LC0/1}$	Voltage booster enabled, 1/3 bias, No panel load, $V_{DD} = 3\text{V}$	Typx0.9	$3 \times V_{LC3}$	Typx1.1	
	$V_{LC2}$	Voltage booster enabled, 1/3 bias, No panel load, $V_{DD} = 3\text{V}$	Typx0.9	$2 \times V_{LC3}$	Typx1.1	
	$V_{LC0}$	Voltage booster enabled, 1/4 bias, No panel load, $V_{DD} = 3\text{V}$	Typx0.9	$4 \times V_{LC3}$	Typx1.1	
	$V_{LC1}$	Voltage booster enabled, 1/4 bias, No panel load, $V_{DD} = 3\text{V}$	Typx0.9	$3 \times V_{LC3}$	Typx1.1	
	$V_{LC2}$	Voltage booster enabled, 1/4 bias, No panel load, $V_{DD} = 3\text{V}$	Typx0.9	$2 \times V_{LC3}$	Typx1.1	
	$V_{LC1}$	Voltage booster disabled, LCD dividing resistor, $V_{DD} = 2.7\text{V}$ to $5.5\text{V}$ , $V_{LC0} = V_{DD}$	Typ-0.2	$0.75 \times V_{DD}$	Typ+0.2	V
	$V_{LC2}$	Voltage booster disabled, LCD dividing resistor, $V_{DD} = 2.7\text{V}$ to $5.5\text{V}$ , $V_{LC0} = V_{DD}$	Typ-0.2	$0.5 \times V_{DD}$	Typ+0.2	
$V_{LC3}$	Voltage booster disabled, LCD dividing resistor, $V_{DD} = 2.7\text{V}$ to $5.5\text{V}$ , $V_{LC0} = V_{DD}$	Typ-0.2	$0.25 \times V_{DD}$	Typ+0.2		
LCD Driver Output Impedance	$R_{LO}$	$V_{LCD} = 3\text{V}$ , $I_{LOAD} = \pm 10\mu\text{A}$	-	5	10	k $\Omega$
LCD Bias Dividing Resistor	$R_{LCD1}$	Internal resistor mode, $T_A = 25^{\circ}\text{C}$	20	30	40	k $\Omega$
	$R_{LCD2}$		40	60	80	
	$R_{LCD3}$		80	120	160	
LCD Block Current	$I_{LCD}$	Voltage booster mode, $V_{DD} = 3\text{V}$ , $V_{LCD} = 3.15\text{V}$ , 1/3Bias	-	3	6	$\mu\text{A}$

**Table 13 LCD Voltage Characteristics**

**NOTE)**

- Where N is the value of LCDCCR register (N = 0 to 15).

### 7.11 DC Characteristics

( $T_A = -40^{\circ}\text{C} \sim +85^{\circ}\text{C}$ ,  $V_{DD} = 1.8\text{V} \sim 5.5\text{V}$ ,  $V_{SS} = 0\text{V}$ ,  $f_{XIN} = 12\text{MHz}$ )

Parameter	Symbol	Conditions	Min	Typ	Max	Units	
Input High Voltage	$V_{IH1}$	P32-P36, P4, P5, P6, RESETB	$0.8V_{DD}$	–	VDD	V	
	$V_{IH2}$	All input pins except $V_{IH1}$	$0.7V_{DD}$	–	VDD		
Input Low Voltage	$V_{IL1}$	P32-P36, P4, P5, P6, RESETB	–	–	$0.2V_{DD}$	V	
	$V_{IL2}$	All input pins except $V_{IL1}$	–	–	$0.3V_{DD}$		
Output High Voltage	$V_{OH}$	$V_{DD} = 4.5\text{V}$ , $I_{OH} = -2\text{mA}$ ; All output ports except REM pin	$V_{DD} - 1.0$	–	–	V	
Output Low Voltage	$V_{OL}$	$V_{DD} = 4.5\text{V}$ , $I_{OL} = 15\text{mA}$ ; All output ports except REM pin	–	–	1.0	V	
Output High Current	$I_{OH}$	$V_{DD} = 4.5\text{V}$ , $V_{OH} = 3.5\text{V}$ ; All output ports except REM pin	-2	–	–	mA	
Output Low Current	$I_{OL}$	$V_{DD} = 4.5\text{V}$ , $V_{OL} = 1.0\text{V}$ ; All output ports except REM pin	15	–	–	mA	
REM Output High Current	$I_{OH1}$	$V_{DD} = 3.0\text{V}$ , $V_{OH} = 2.0\text{V}$ , $ROTS = 1$	–	-10	-5	mA	
REM Output Low Current	$I_{OL1}$	$V_{DD} = 3.0\text{V}$ , $V_{OL} = 1.0\text{V}$ , $T_A = 25^{\circ}\text{C}$	$ROTS = 1$	2.5	5.0	–	mA
	$I_{OL2}$		$ROTS = 0$ , $RIOL = 3$	470	630	–	
Input high leakage current	$I_{IH}$	All Input ports	–	–	1	$\mu\text{A}$	
Input low leakage current	$I_{IL}$	All Input ports	-1	–	–	$\mu\text{A}$	
Pull-up resistor	$R_{PU1}$	$V_I = 0\text{V}$ , $T_A = 25^{\circ}\text{C}$ , All Input ports	$V_{DD} = 5\text{V}$	50	80	110	k $\Omega$
			$V_{DD} = 3\text{V}$	100	155	210	
	$R_{PU2}$	$V_I = 0\text{V}$ , $T_A = 25^{\circ}\text{C}$ , RESETB	$V_{DD} = 5\text{V}$	150	250	400	
			$V_{DD} = 3\text{V}$	300	500	700	
OSC feedback resistor	$R_{X1}$	$XIN = V_{DD}$ , $XOUT = V_{SS}$ $T_A = 25^{\circ}\text{C}$ , $V_{DD} = 5\text{V}$ $FBS = 0$ (Configure Option 2 : 3FH)	600	1200	2000	k $\Omega$	
		$XIN = V_{DD}$ , $XOUT = V_{SS}$ $T_A = 25^{\circ}\text{C}$ , $V_{DD} = 5\text{V}$ $FBS = 1$ (Configure Option 2 : 3FH)	250	500	750		
	$R_{X2}$	$SXIN = V_{DD}$ , $SXOUT = V_{SS}$ $T_A = 25^{\circ}\text{C}$ , $V_{DD} = 5\text{V}$	2500	5000	10000	k $\Omega$	

Table 14 DC Characteristics



(T<sub>A</sub>= -40°C ~ +85°C, VDD=1.8V ~ 5.5V, VSS= 0V, f<sub>XIN</sub>= 12MHz)

Parameter	Symbol	Conditions	Min	Typ	Max	Units	
Supply current	I <sub>DD1</sub> (Run)	f <sub>XIN</sub> =12MHz, VDD=5V±10%	–	3.0	6.0	mA	
		f <sub>XIN</sub> =8MHz, VDD=3V±10%	–	2.0	4.0		
		f <sub>HFIRC</sub> =8MHz, VDD=5V±10%	–	2.0	4.0		
	I <sub>DD2</sub> (Idle)	f <sub>XIN</sub> =12MHz, VDD=5V±10%	–	2.0	4.0	mA	
		f <sub>XIN</sub> =8MHz, VDD=3V±10%	–	1.0	2.0		
		f <sub>HFIRC</sub> =8MHz, VDD=5V±10%	–	1.0	2.0		
	I <sub>DD3</sub> (Run)	f <sub>SUB</sub> =32.768kHz	VDD=3V±10%, TA=25°C	–	90.0	180.0	uA
		f <sub>LFIRC</sub> =32kHz		–	90.0	180.0	
	I <sub>DD4</sub> (Idle)	f <sub>SUB</sub> =32.768kHz		–	4.0	8.0	uA
		f <sub>LFIRC</sub> =32kHz		–	6.0	12.0	
I <sub>DD5</sub>	Stop, VDD=3V±10%, TA=25°C	–	0.5	2.7	uA		

Table 14 DC Characteristics (Concluded)

## NOTE)

1. Where the f<sub>XIN</sub> is an external main oscillator, the f<sub>SUB</sub> is an external sub oscillator, the f<sub>HFIRC</sub> is an internal high frequency RC oscillator, the f<sub>LFIRC</sub> is an internal low frequency RC oscillator and the f<sub>X</sub> is the selected system clock.
2. All supply current items don't include the current of an internal Watch-dog timer RC (WDTRC) oscillator and a peripheral block.
3. All supply current items include the current of the power-on reset (POR) block.

### 7.12 AC Characteristics

( $T_A = -40^{\circ}\text{C} \sim +85^{\circ}\text{C}$ ,  $V_{DD} = 1.8\text{V} \sim 5.5\text{V}$ )

Parameter	Symbol	Conditions	Min	Typ	Max	Units
RESETB input low width	$t_{RST}$	$V_{DD} = 5\text{V}$	10	–	–	us
Interrupt Input High, Low width	$t_{IWH}, t_{IWL}$	All interrupts, $V_{DD} = 5\text{V}$	200	–	–	ns
External Counter Input High, Low Pulse Width	$t_{ECWH}, t_{ECWL}$	$EC_n, V_{DD} = 5\text{V}$ ( $n=0, 2$ )	200	–	–	
External Counter Transition Time	$t_{REC}, t_{FEC}$	$EC_n, V_{DD} = 5\text{V}$ ( $n=0, 2$ )	20	–	–	
REM port High, Low width	$t_{REMWH}, t_{REMWL}$	REM, $V_{DD} = 5\text{V}$	5	–	–	us

Table 15 AC Characteristics

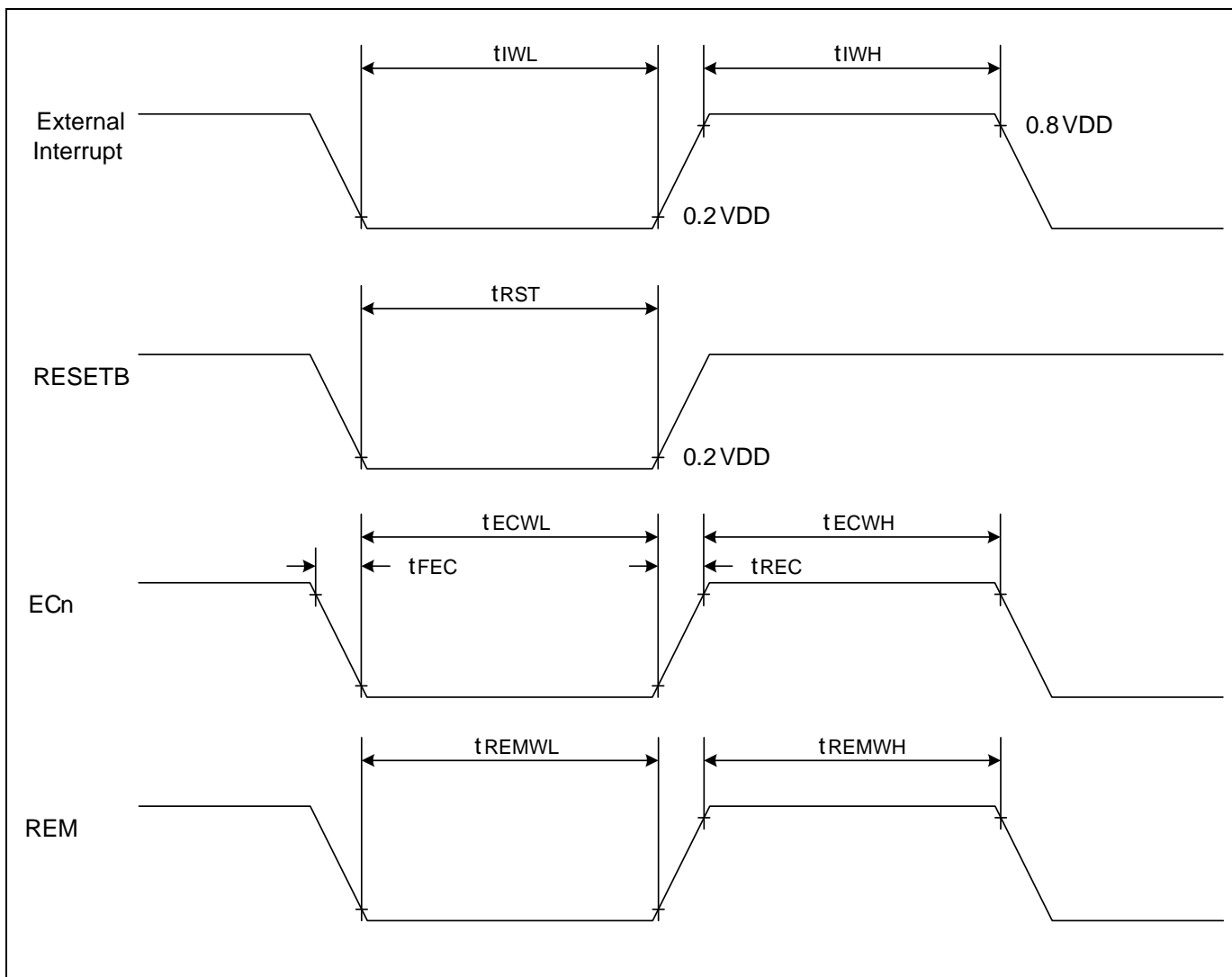


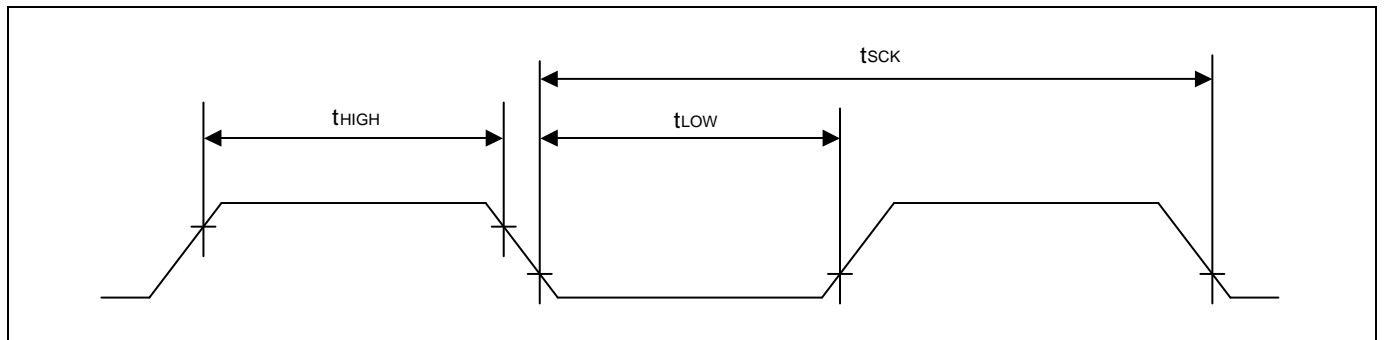
Figure 19 AC Timing

### 7.13 UART TIMING CHARACTERISTICS

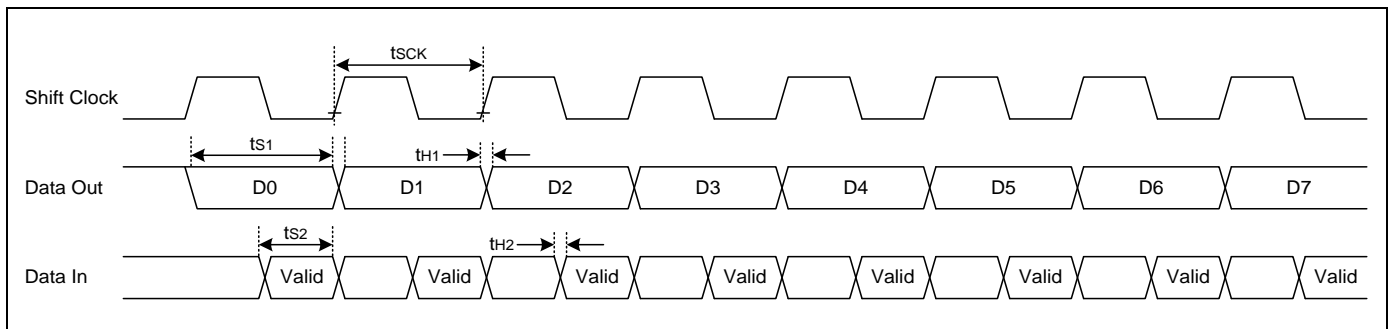
( $T_A = -40^{\circ}\text{C} \sim +85^{\circ}\text{C}$ ,  $V_{DD} = 1.8\text{V} \sim 5.5\text{V}$ ,  $f_{XIN} = 11.1\text{MHz}$ )

Parameter	Symbol	Min	Typ	Max	Units
Serial port clock cycle time	$t_{SCK}$	1250	$t_{CPU} \times 16$	1650	ns
Output data setup to clock rising edge	$t_{s1}$	590	$t_{CPU} \times 13$	–	
Clock rising edge to input data valid	$t_{s2}$	–	–	590	
Output data hold after clock rising edge	$t_{H1}$	$t_{CPU} - 50$	$t_{CPU}$	–	
Input data hold after clock rising edge	$t_{H2}$	0	–	–	
Serial port clock High, Low level width	$t_{HIGH}, t_{LOW}$	470	$t_{CPU} \times 8$	970	

**Table 16 UART TIMING CHARACTERISTICS**



**Figure 20 Waveform for UART Timing**



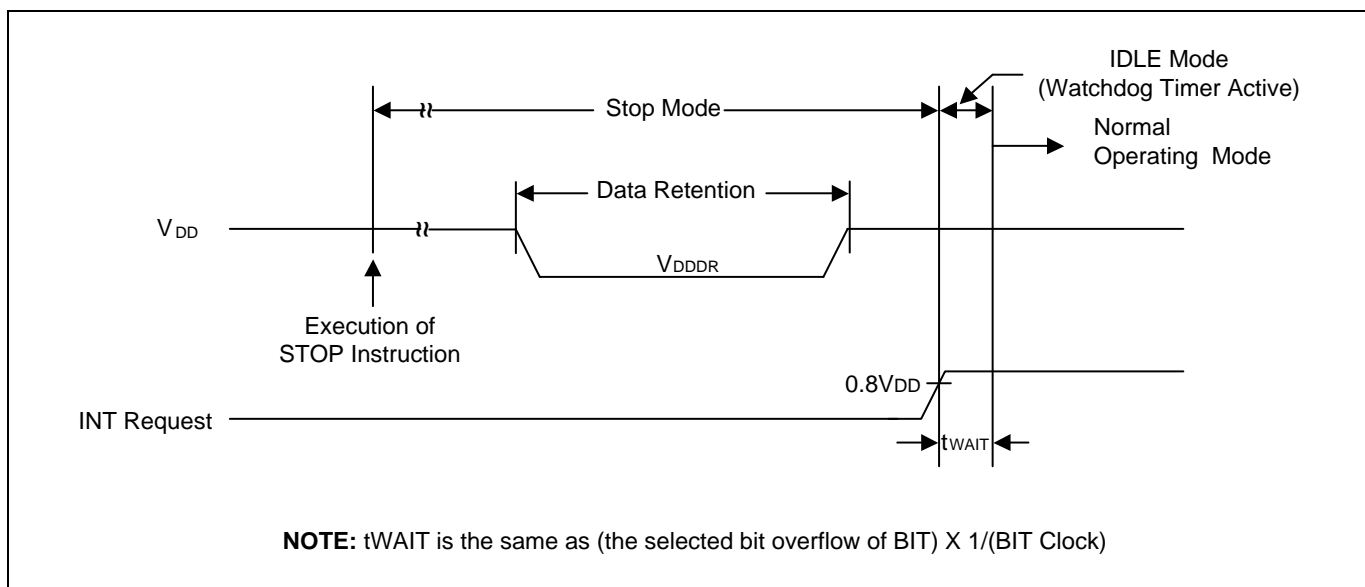
**Figure 21 Timing Waveform for UART Module**

### 7.14 Data Retention Voltage in Stop Mode

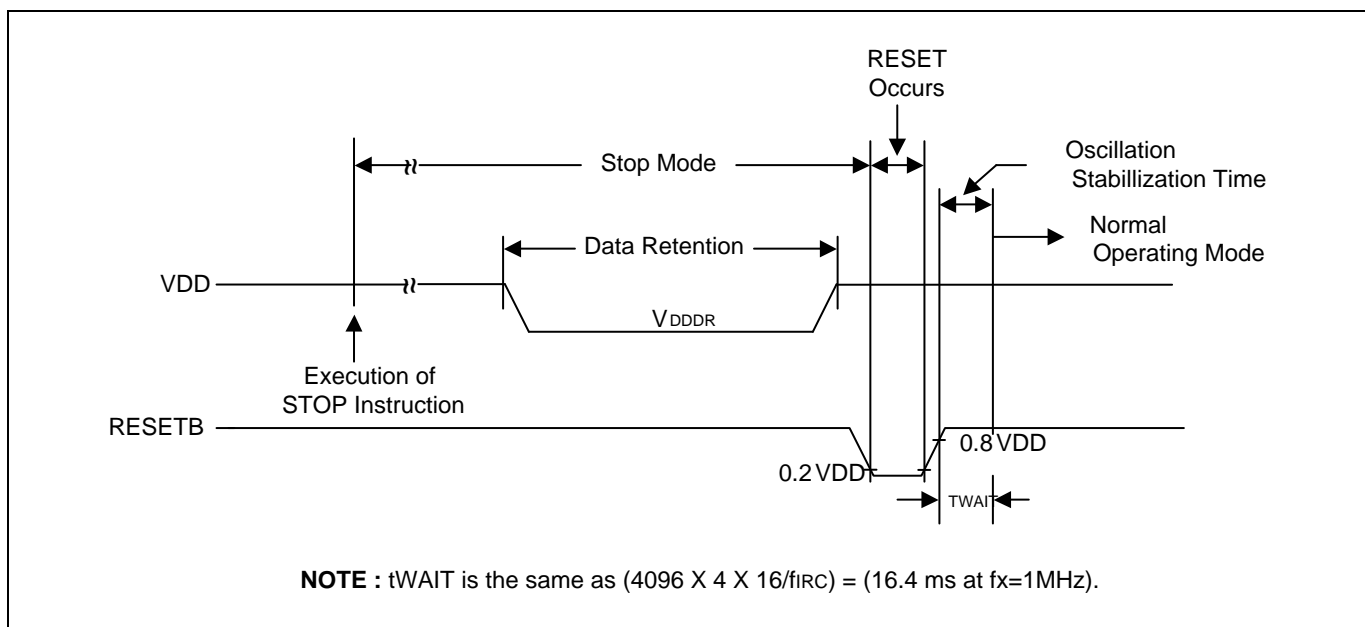
( $T_A = -40^{\circ}\text{C} \sim +85^{\circ}\text{C}$ ,  $V_{DD} = 1.8\text{V} \sim 5.5\text{V}$ )

Parameter	Symbol	Conditions	Min	Typ	Max	Units
Data retention supply voltage	$V_{DDDR}$	—	1.0	—	5.5	V
Data retention supply current	$I_{DDDR}$	$V_{DDDR} = 1.8\text{V}$ ( $T_A = 25^{\circ}\text{C}$ ), Stop mode	—	—	1	$\mu\text{A}$

**Table 17 Data Retention Voltage in Stop Mode**



**Figure 22 Stop Mode Release Timing when Initiated by an Interrupt**



**Figure 23 Stop Mode Release Timing when Initiated by RESETB**

## 7.15 Internal Flash Rom Characteristics

( $T_A = -40^\circ\text{C} \sim +85^\circ\text{C}$ ,  $V_{DD} = 1.8\text{V} \sim 5.5\text{V}$ ,  $V_{SS} = 0\text{V}$ )

Parameter	Symbol	Conditions	Min	Typ	Max	Units
Sector Write Time	$t_{FSW}$	–	–	2.5	2.7	ms
Sector Erase Time	$t_{FSE}$	–	–	2.5	2.7	
Hard-Lock Time	$t_{FHL}$	–	–	2.5	2.7	
Page Buffer Reset Time	$t_{FBR}$	–	–	–	5	us
Flash Programming Voltage	$V_{PGM}$	–	2.0	–	5.5	V
Flash Programming Frequency	$f_{PGM}$	–	0.4	–	–	MHz
Endurance of Write/Erase	$N_{FWE}$	Sector 0 to 763	–	–	10,000	Times
		Sector 764 to 767 (256 bytes)	–	–	100,000	
Flash Data Retention Time	$t_{RT}$	–	10	–	–	Years

**Table 18 Internal Flash Rom Characteristics**

### NOTE)

1. During a flash operation, SCLK[1:0] of SCCR must be set to “00” or “01” (HF INT-RC OSC or Main XTAL for system clock).

## 7.16 Input/Output Capacitance

( $T_A = -40^\circ\text{C} \sim +85^\circ\text{C}$ ,  $V_{DD} = 0\text{V}$ )

Parameter	Symbol	Conditions	Min	Typ	Max	Units
Input Capacitance	$C_{IN}$	$f_x = 1\text{MHz}$ Unmeasured pins are connected to $V_{SS}$	–	–	10	pF
Output Capacitance	$C_{OUT}$					
I/O Capacitance	$C_{IO}$					

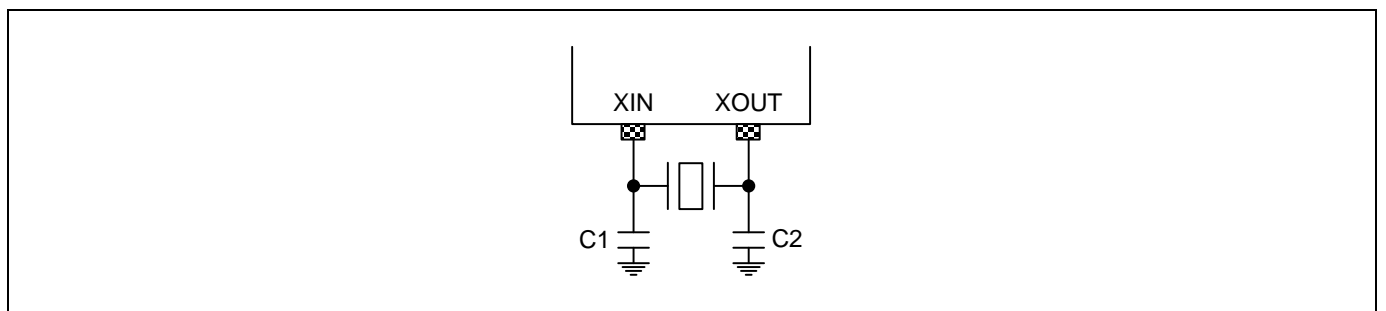
**Table 19 Input/Output Capacitance**

### 7.17 Main Clock Oscillator Characteristics

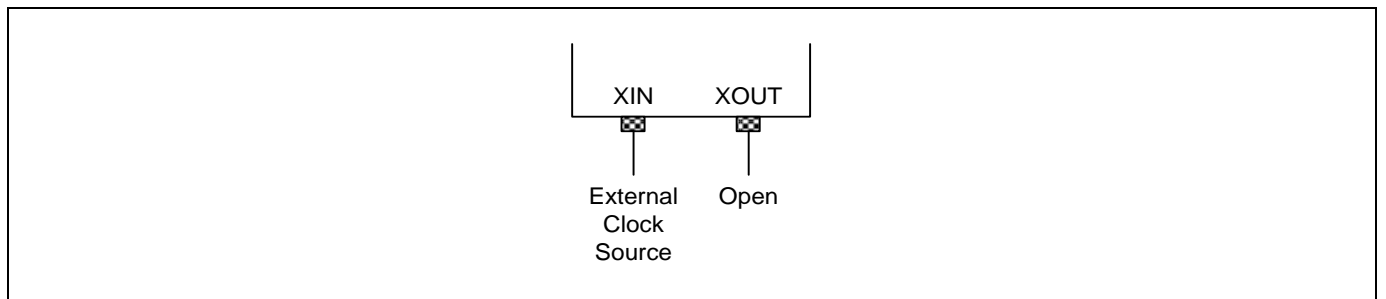
( $T_A = -40^{\circ}\text{C} \sim +85^{\circ}\text{C}$ ,  $V_{DD} = 1.8\text{V} \sim 5.5\text{V}$ )

Oscillator	Parameter	Conditions	Min	Typ.	Max	Units
Crystal	Main oscillation frequency	2.0 V – 5.5 V	0.4	–	4.2	MHz
		2.4 V – 5.5 V	0.4	–	8.0	
		3.0 V – 5.5 V	0.4	–	12.0	
Ceramic Oscillator	Main oscillation frequency	1.8 V – 5.5 V	0.4	–	4.2	
		2.4 V – 5.5 V	0.4	–	8.0	
		3.0 V – 5.5 V	0.4	–	12.0	
External Clock	XIN input frequency	1.8 V – 5.5 V	0.4	–	4.2	MHz
		2.4 V – 5.5 V	0.4	–	8.0	
		3.0 V – 5.5 V	0.4	–	12.0	

**Table 20 Main Clock Oscillator Characteristics**



**Figure 24 Crystal/Ceramic Oscillator**



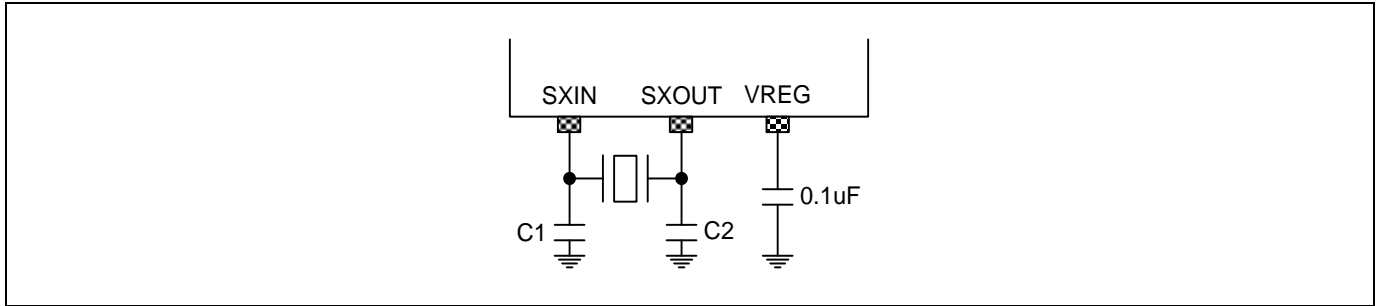
**Figure 25 External Clock**

### 7.18 Sub Clock Oscillator Characteristics

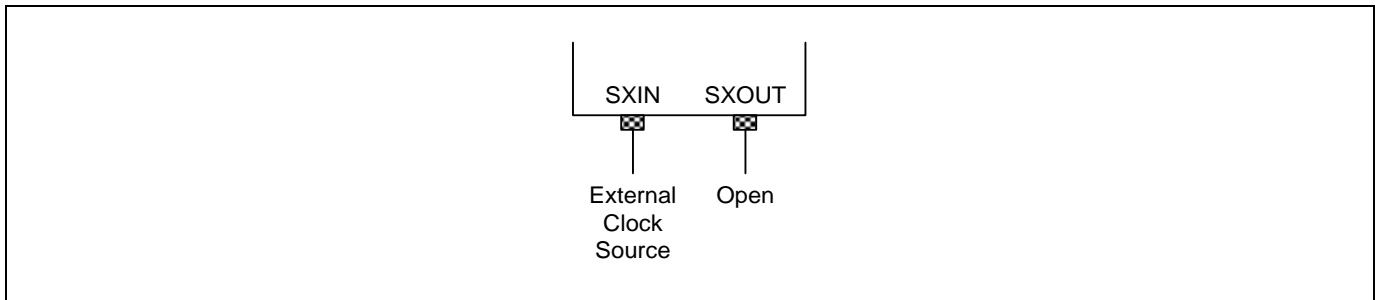
( $T_A = -40^{\circ}\text{C} \sim +85^{\circ}\text{C}$ ,  $V_{DD} = 1.8\text{V} \sim 5.5\text{V}$ )

Oscillator	Parameter	Conditions	Min	Typ.	Max	Units
Crystal	Sub oscillation frequency	1.8 V – 5.5 V	32	32.768	38	kHz
External Clock	SXIN input frequency		32	–	100	

**Table 21 Sub Clock Oscillator Characteristics**



**Figure 26 Crystal Oscillator**



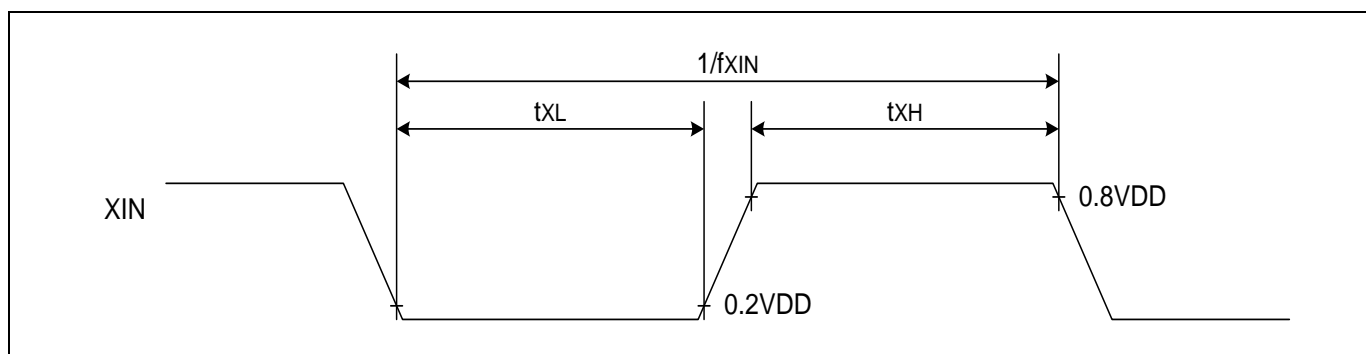
**Figure 27 External Clock**

### 7.19 Main Oscillation Stabilization Characteristics

( $T_A = -40^\circ\text{C} \sim +85^\circ\text{C}$ ,  $V_{DD} = 1.8\text{V} \sim 5.5\text{V}$ )

Oscillator	Conditions	Min	Typ.	Max	Units
Crystal	$f_{XIN} \geq 1\text{ MHz}$ , $V_{DD} = 2.0\text{V} \sim 5.5\text{V}$ Oscillation stabilization occurs when $V_{DD}$ is equal to the minimum oscillator voltage range.	–	–	60	ms
Ceramic	$f_{XIN} \geq 1\text{ MHz}$ , $V_{DD} = 1.8\text{V} \sim 5.5\text{V}$ Oscillation stabilization occurs when $V_{DD}$ is equal to the minimum oscillator voltage range.	–	–	10	
External Clock	$f_{XIN} = 0.4\text{ to }12\text{ MHz}$ $XIN$ input high and low width ( $t_{XL}$ , $t_{XH}$ )	42	–	1250	ns

**Table 22 Main Oscillation Stabilization Characteristics**



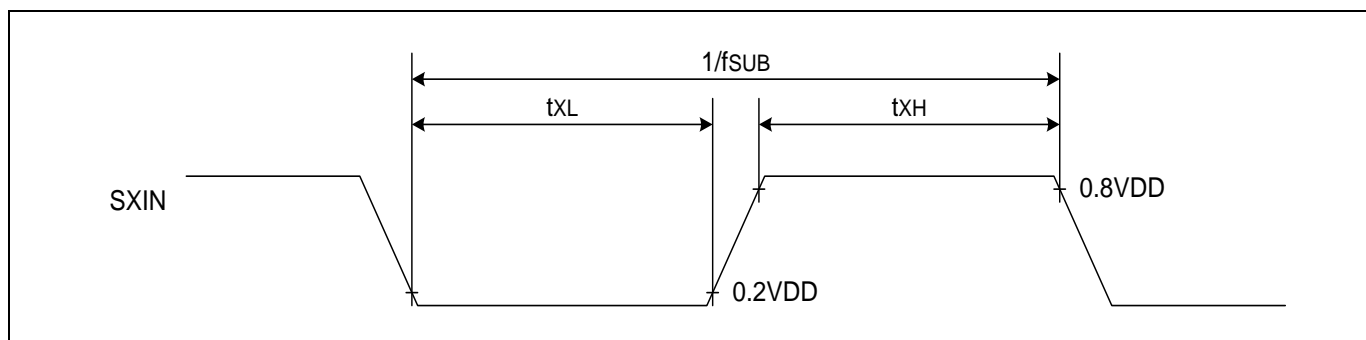
**Figure 28 Clock Timing Measurement at XIN**

### 7.20 Sub Oscillation Stabilization Characteristics

( $T_A = -40^\circ\text{C} \sim +85^\circ\text{C}$ ,  $V_{DD} = 1.8\text{V} \sim 5.5\text{V}$ )

Oscillator	Conditions	Min	Typ.	Max	Units
Crystal	–	–	–	10	sec
	$V_{DD} = 3.0\text{V}$ , $T_A = 25^\circ\text{C}$	–	0.7	1.5	
External Clock	$SXIN$ input high and low width ( $t_{XL}$ , $t_{XH}$ )	5	–	15	us

**Table 23 Sub Oscillation Stabilization Characteristics**



**Figure 29 Clock Timing Measurement at SXIN**



### 7.21 Operating Voltage Range

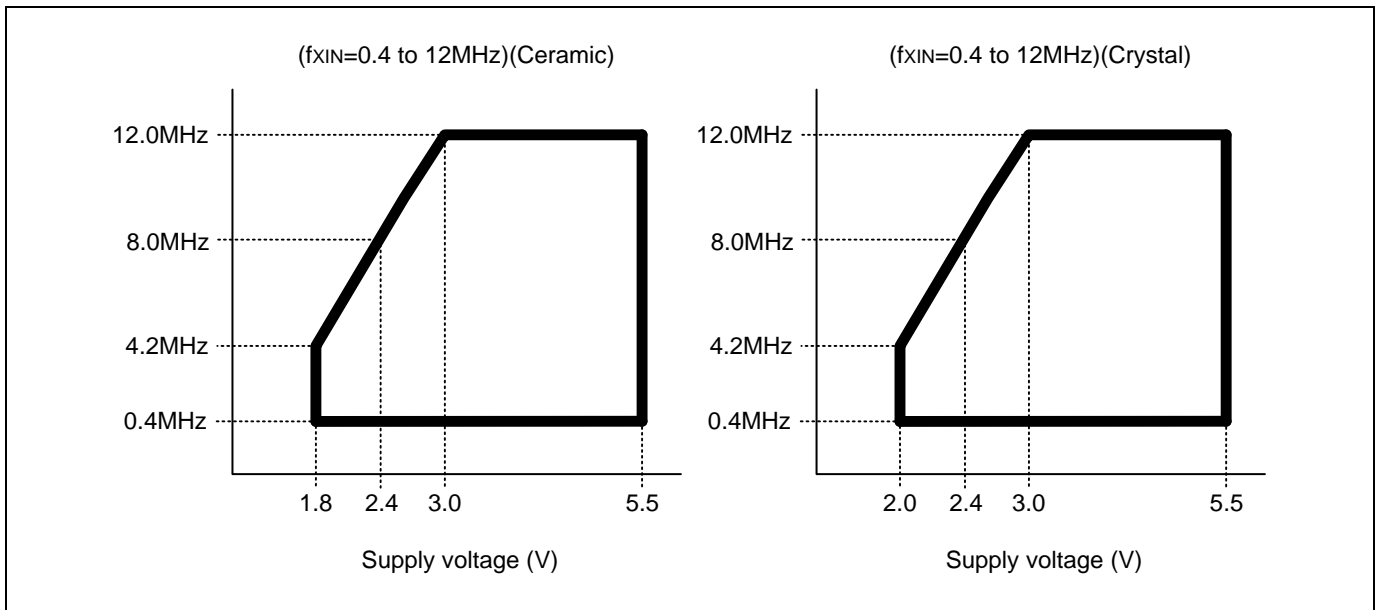


Figure 30 Operating Voltage Range (Main OSC)

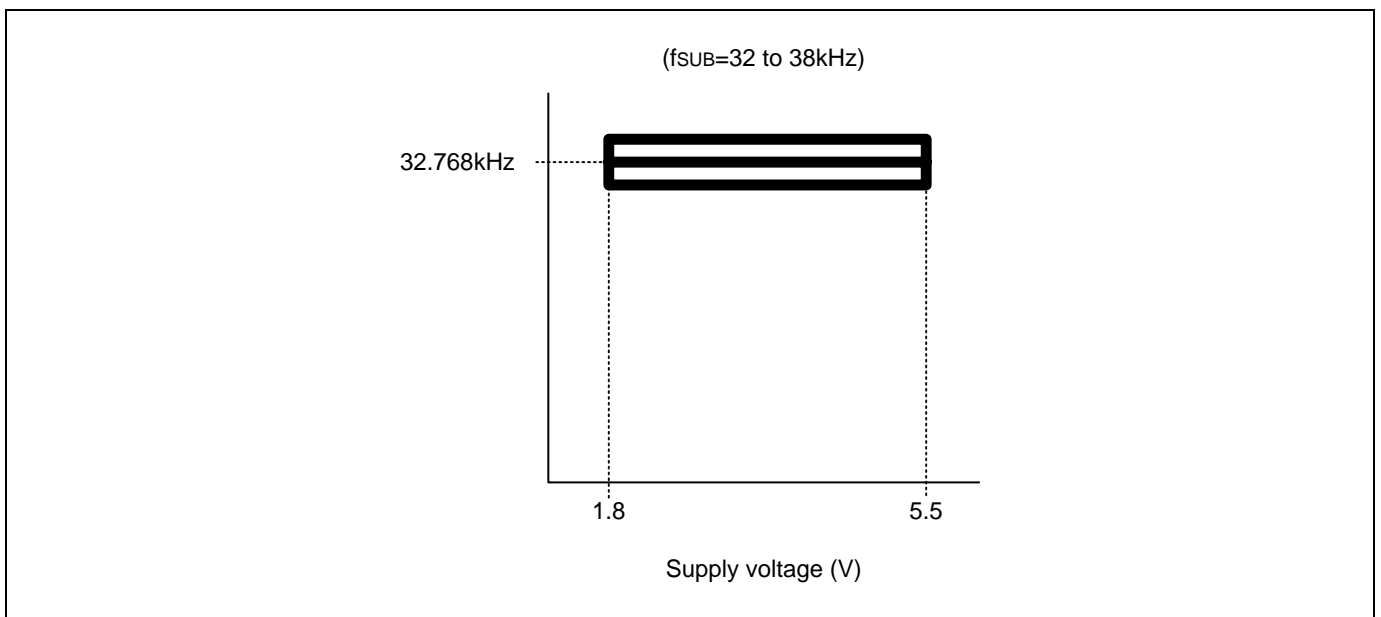


Figure 31 Operating Voltage Range (Sub OSC)

7.22 Recommended Circuit and Layout

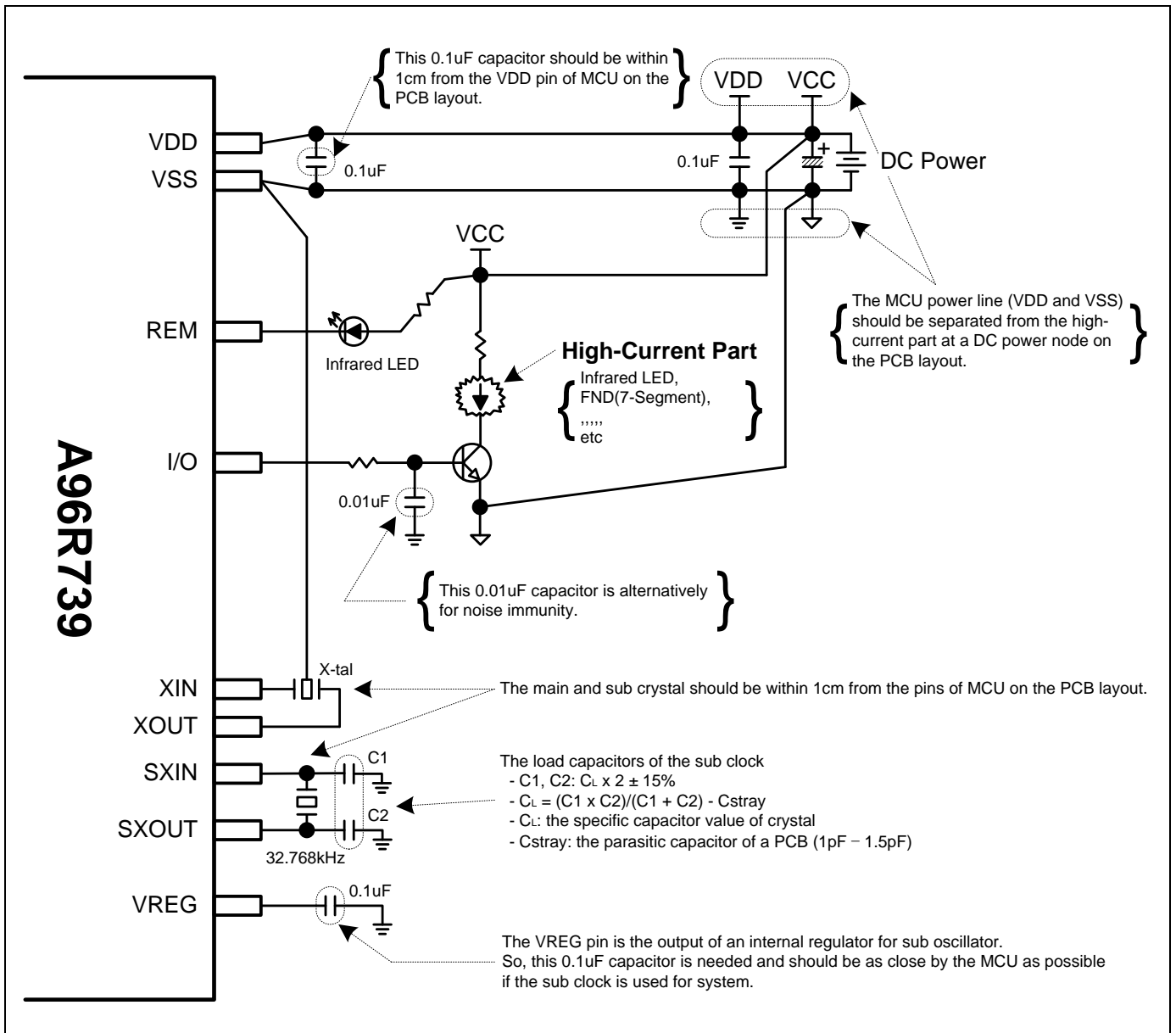


Figure 32 Recommended Circuit and Layout

### 7.23 Recommended Circuit for Remote controller

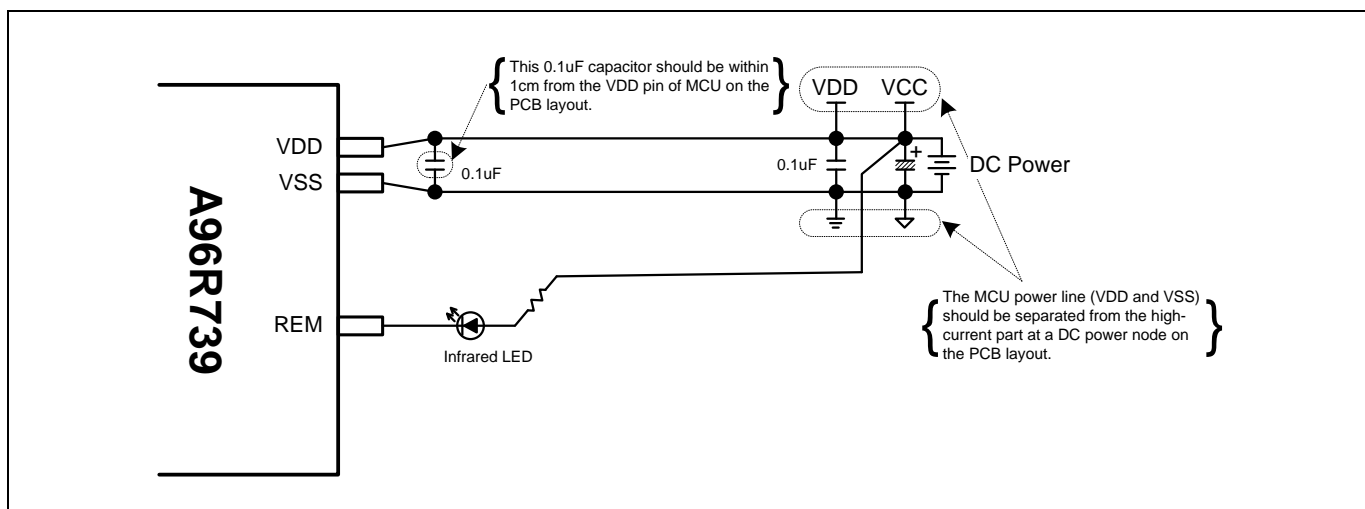


Figure 33 Recommended Circuit for Remote controller

### 7.24 Recommended Circuit and Layout with SMPS Power

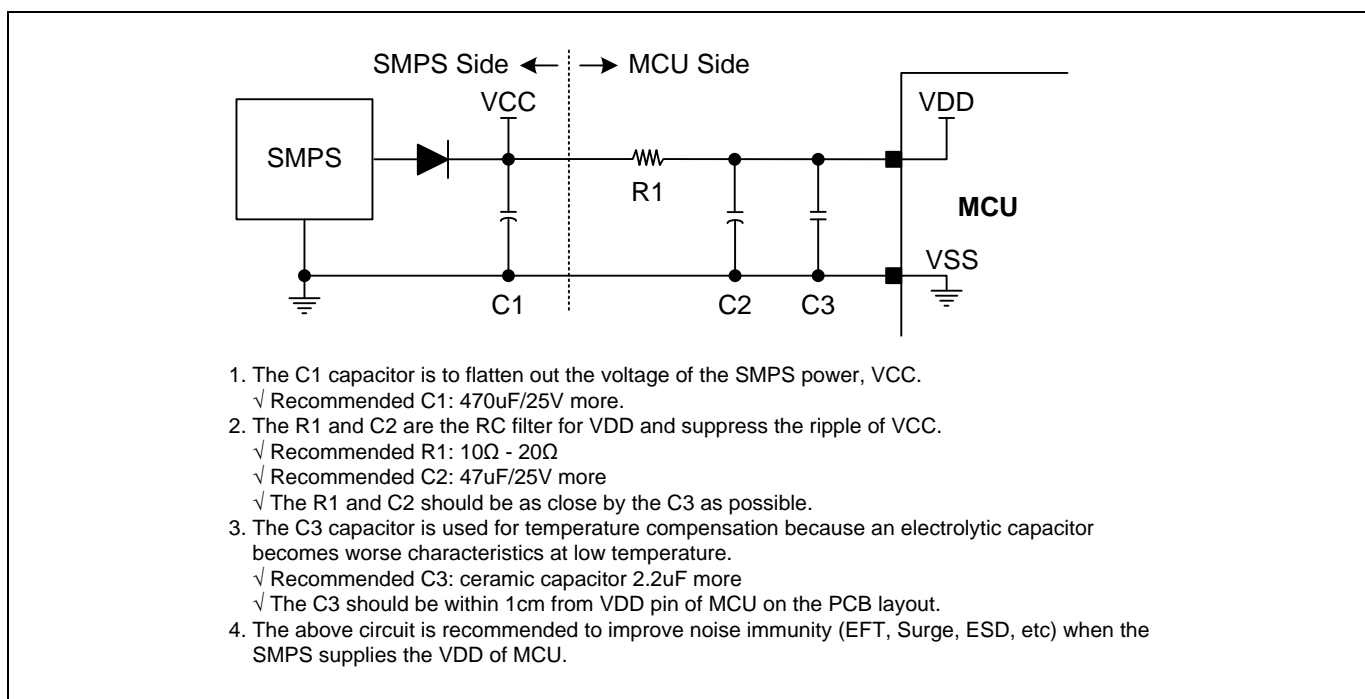


Figure 34 Recommended Circuit and Layout with SMPS Power

### 7.25 Typical Characteristics

These graphs and tables provided in this section are only for design guidance and are not tested or guaranteed. In graphs or tables some data are out of specified operating range (e.g. out of specified VDD range). This is only for information and devices are guaranteed to operate properly only within the specified range.

The data presented in this section is a statistical summary of data collected on units from different lots over a period of time. "Typical" represents the mean of the distribution while "max" or "min" represents (mean + 3σ) and (mean - 3σ) respectively where σ is standard deviation.

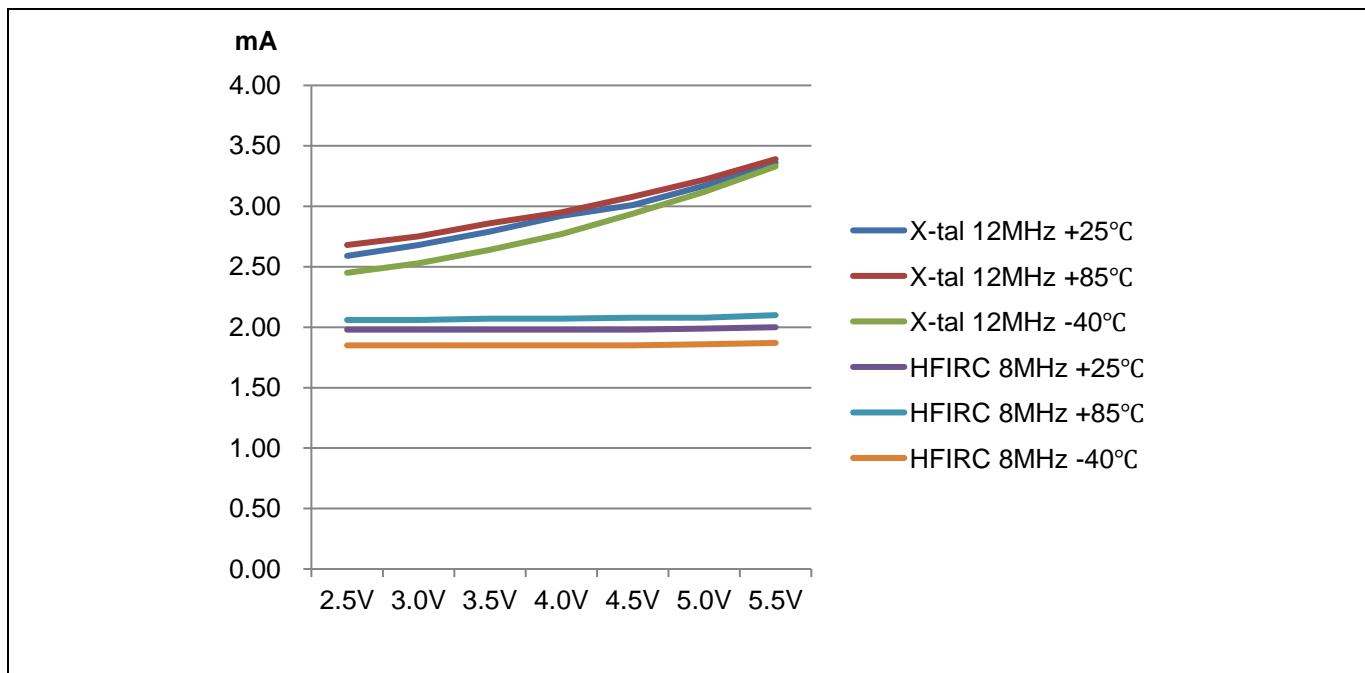


Figure 35 RUN (IDD1) Current

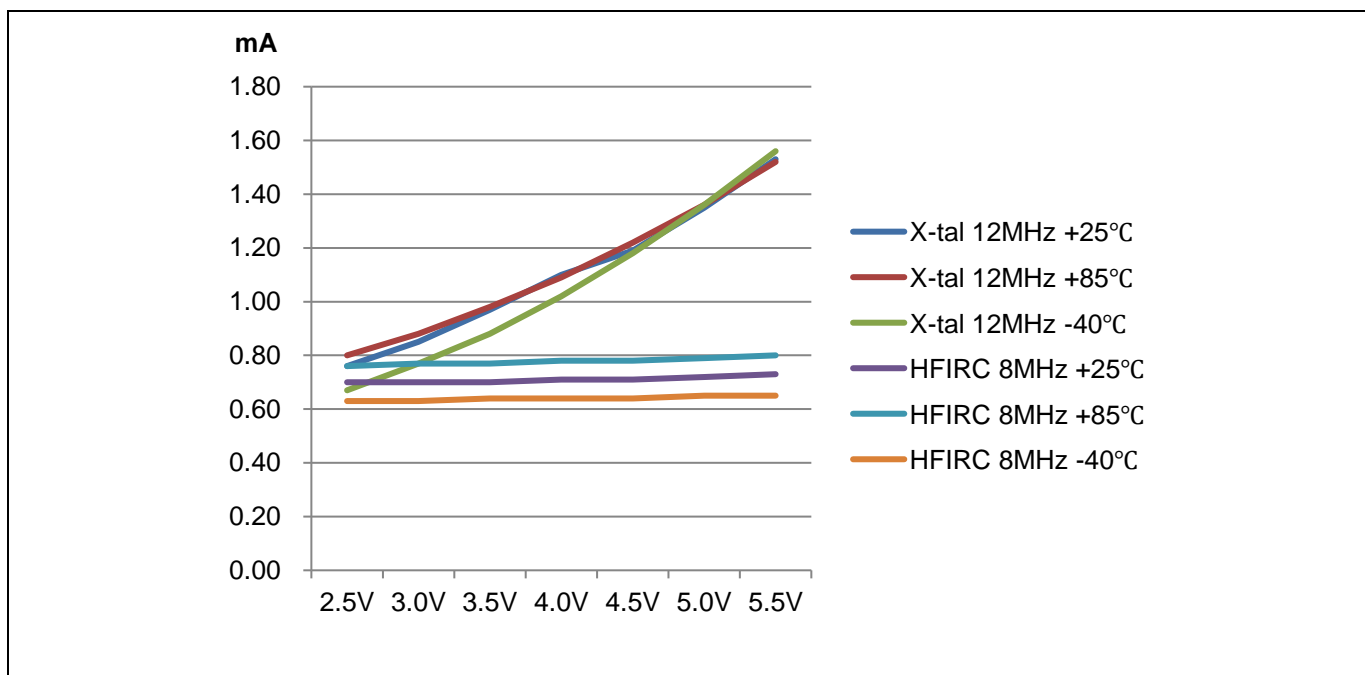


Figure 36 IDLE (IDD2) Current

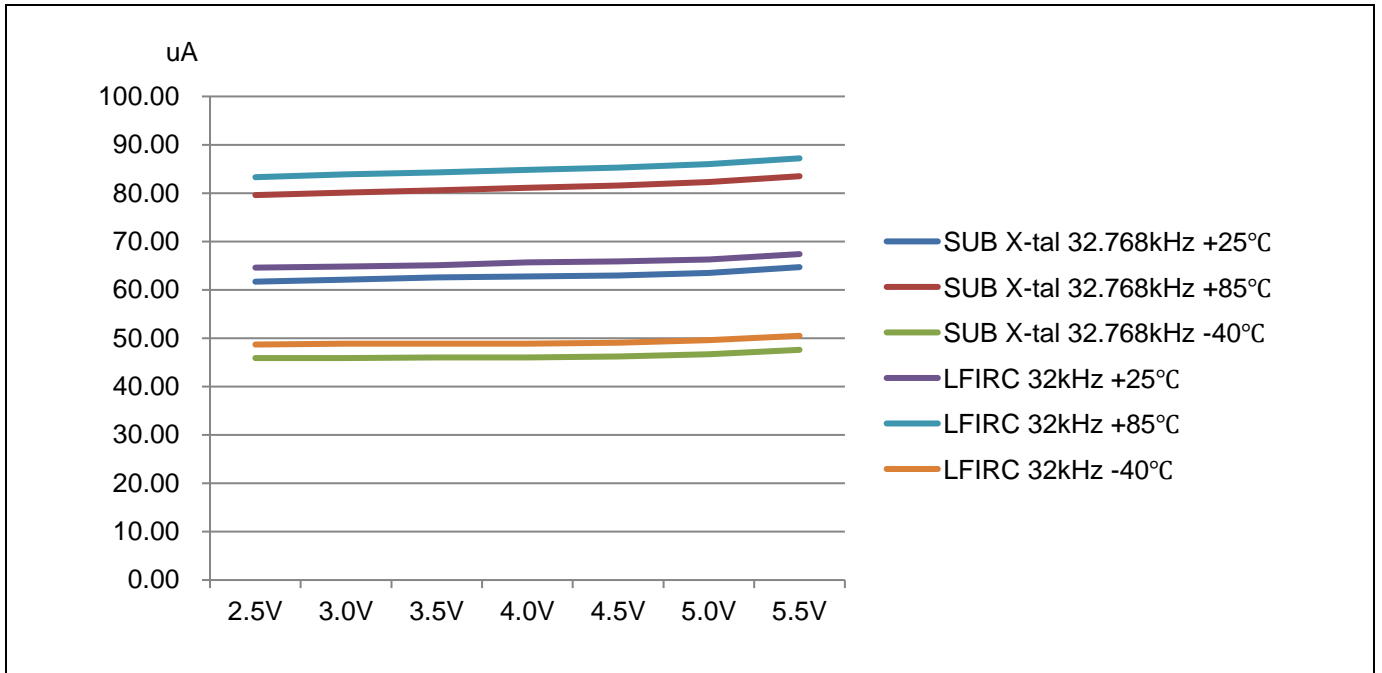


Figure 37 RUN (IDD3) Current

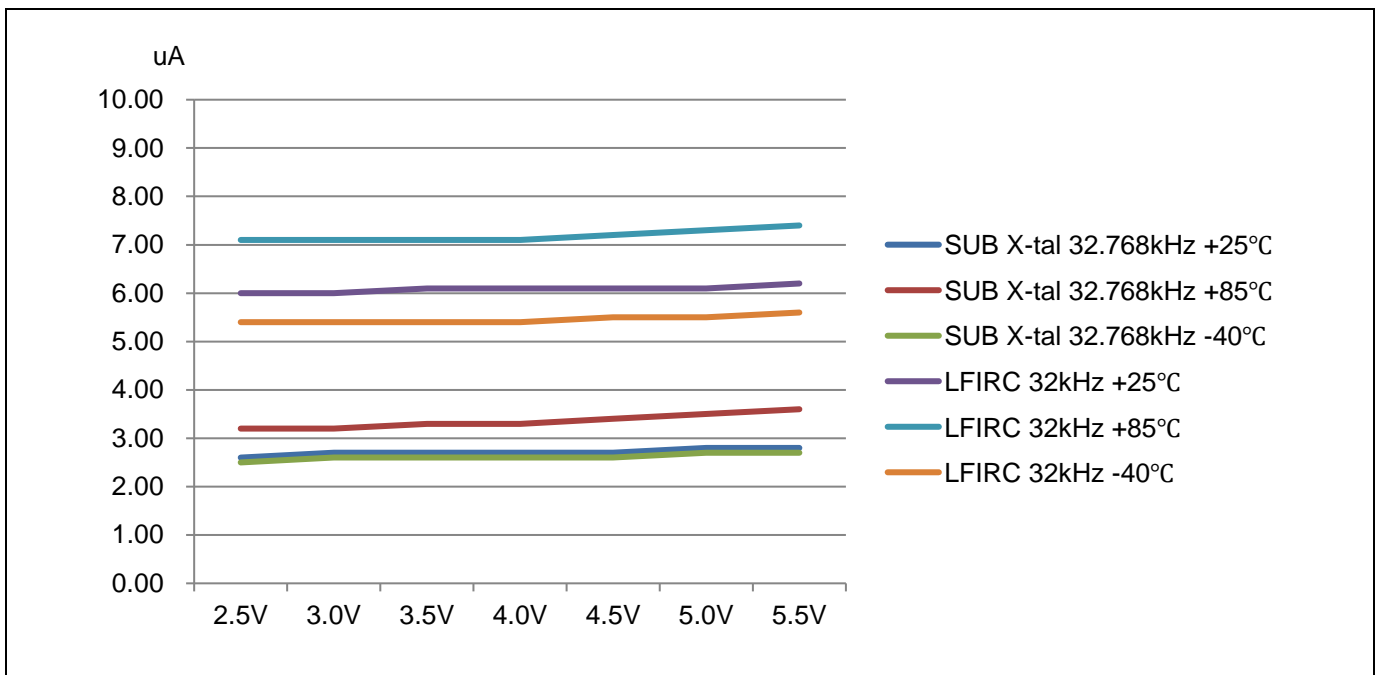


Figure 38 IDLE (IDD4) Current

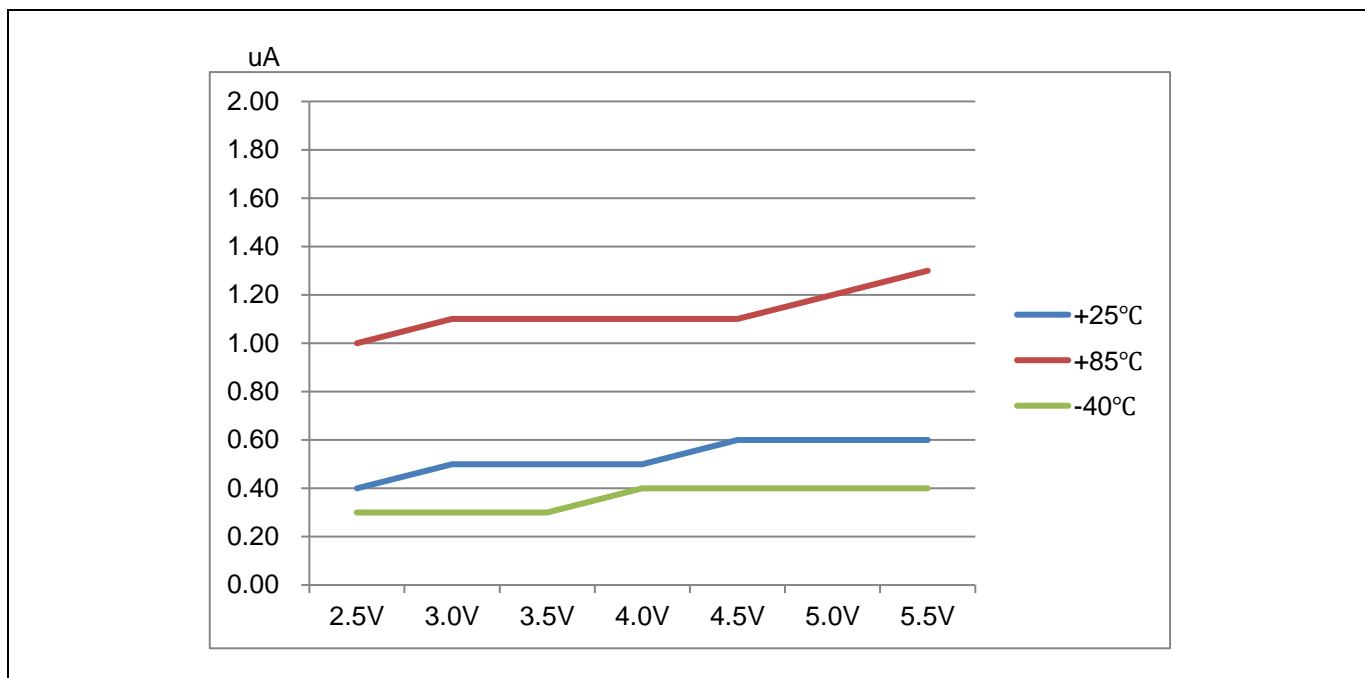


Figure 39 STOP (IDD5) Current

## 8 Memory

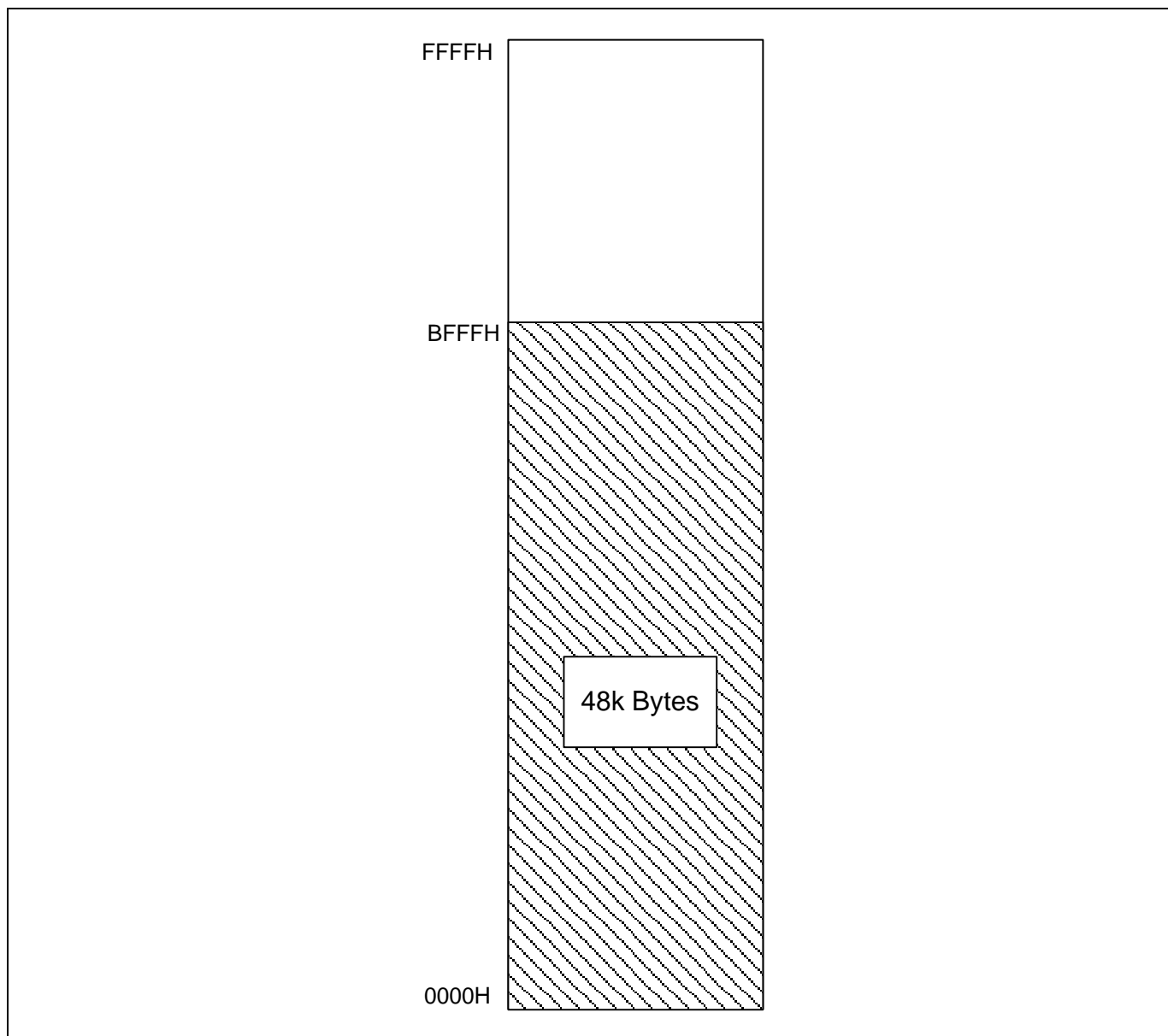
The A96R739 addresses two separate address memory stores: Program memory and Data memory. The logical separation of Program and Data memory allows Data memory to be accessed by 8-bit addresses, which makes the 8-bit CPU access the data memory more rapidly. Nevertheless, 16-bit Data memory addresses can also be generated through the DPTR register.

A96R739 provides on-chip 48 Kbytes of the ISP type flash program memory, which can be read and written to. Internal data memory (IRAM) is 256 bytes and it includes the stack area. External data memory (XRAM) is 1024 bytes and it includes 38 bytes of LCD display RAM.

### 8.1 Program Memory

A 16-bit program counter is capable of addressing up to 64 Kbytes, but this device has just 48 Kbytes program memory space.

Figure 8.1 shows the map of the lower part of the program memory. After reset, the CPU begins execution from location 0000H. Each interrupt is assigned a fixed location in program memory. The interrupt causes the CPU to jump to that location, where it commences execution of the service routine. External interrupt 10, for example, is assigned to location 000BH. If external interrupt 10 is going to be used, its service routine must begin at location 000BH. If the interrupt is not going to be used, its service location is available as general purpose program memory. If an interrupt service routine is short enough (as is often the case in control applications), it can reside entirely within that 8 byte interval. Longer service routines can use a jump instruction to skip over subsequent interrupt locations, if other interrupts are in use.



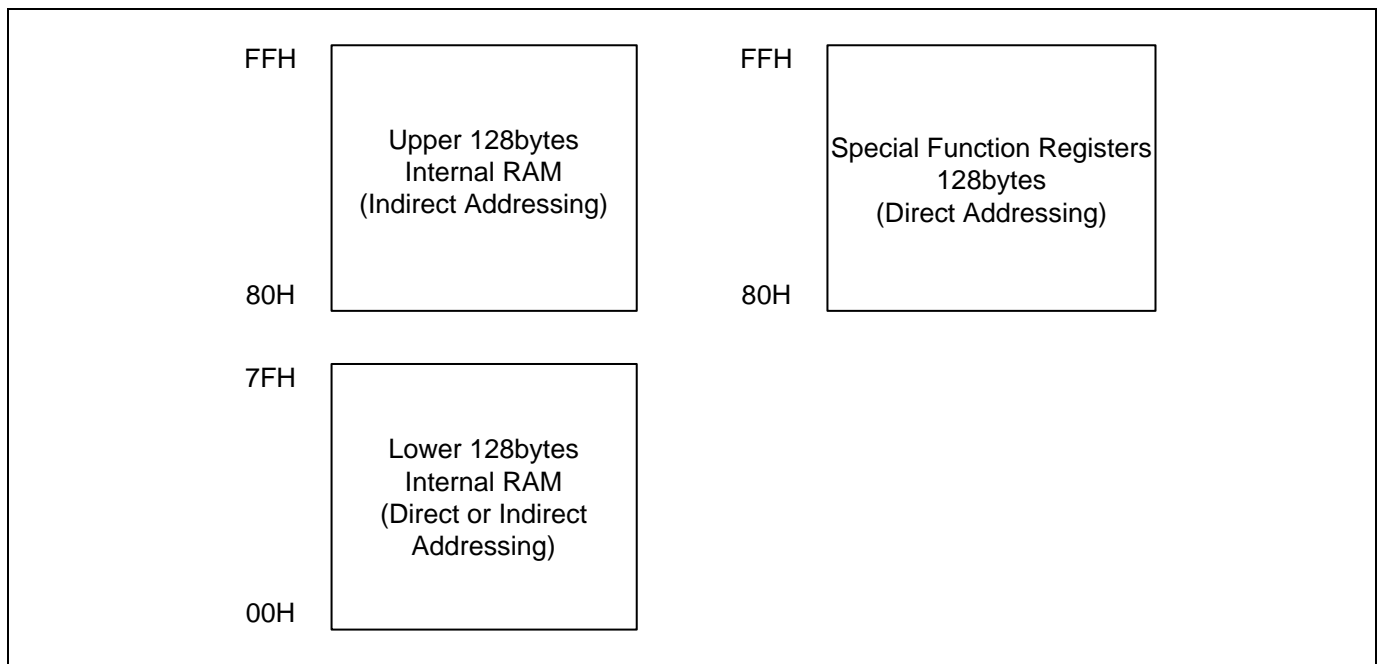
**Figure 40** Program Memory

**NOTE)**

- 1. 48 Kbytes Including Interrupt Vector Region



## 8.2 Data Memory



**Figure 41 Data Memory Map**

The internal data memory space is divided into three blocks, which are generally referred to as the lower 128 bytes , upper 128 bytes and SFR space.

Internal data memory addresses are always one byte wide, which implies an address space of only 256 bytes. However, in fact the addressing modes for internal RAM can accommodate up to 384 bytes by using a simple trick. Direct addresses higher than 7FH access one memory space and indirect addresses higher than 7FH access a different memory space. Thus Figure 8.2 shows the upper 128 byte and SFR space occupying the same block of addresses, 80H through FFH, although they are physically separate entities.

The lower 128 bytes of RAM are present in all 8051 devices as mapped in Figure 8.3. The lowest 32 bytes are grouped into 4 banks of 8 registers. Program instructions call out these registers as R0 through R7. Two bits in the Program Status Word select which register bank is in use. This allows more efficient use of code space, since register instructions are shorter than instructions that use direct addressing.

The next 16 bytes above the register banks form a block of bit-addressable memory space. The 8051 instruction set includes a wide selection of single-bit instructions and the 128 bits in this area can be directly addressed by these instructions. The bit addresses in this area are 00H through 7FH.

All of the bytes in the lower 128 bytes can be accessed by either direct or indirect addressing. The upper 128 bytes RAM can only be accessed by indirect addressing. These spaces are used for data RAM and stack.

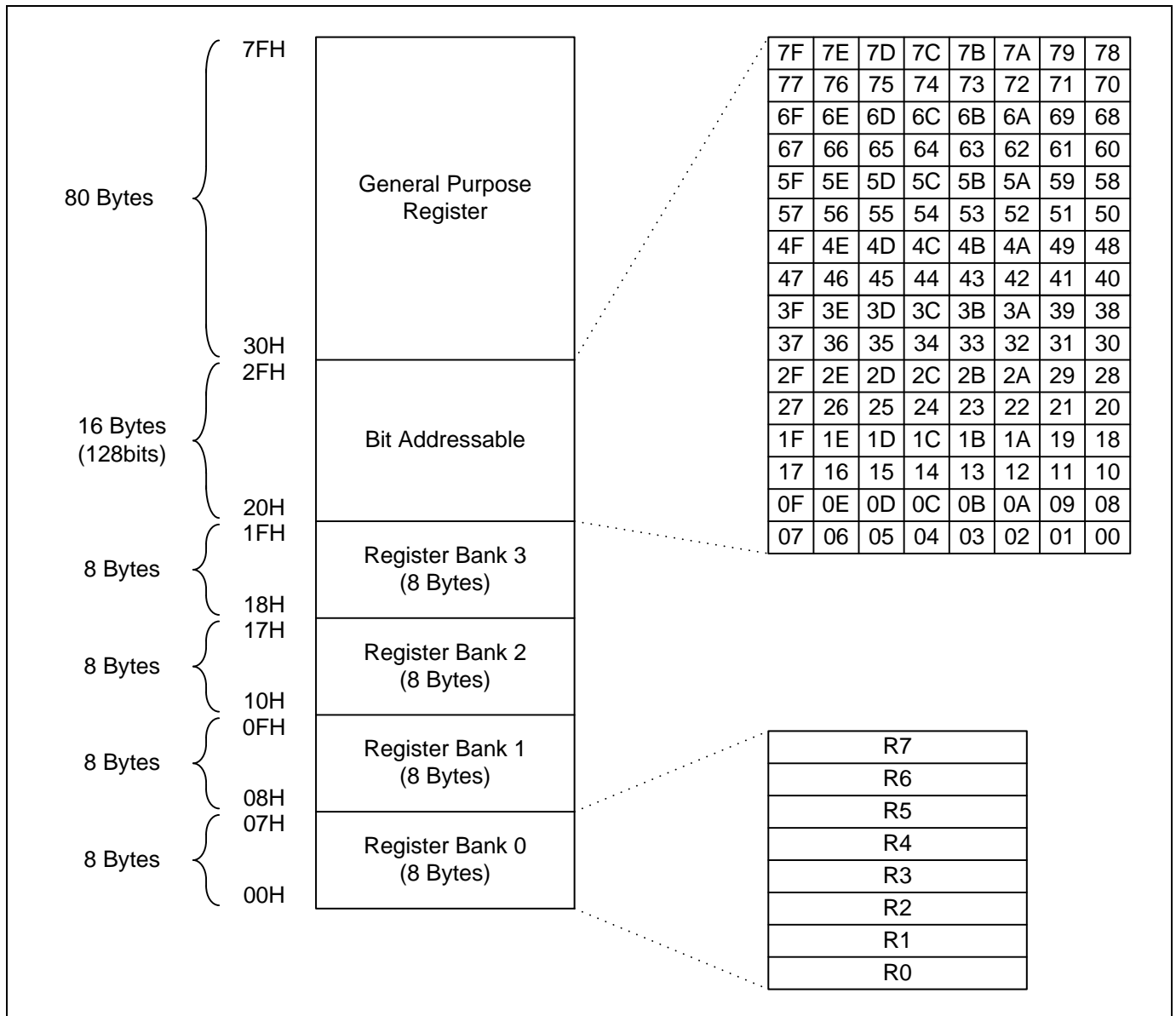


Figure 42 Lower 128bytes RAM

### 8.3 External Data Memory

A96R739 has 1024 bytes XRAM. This area has no relation with RAM/FLASH. It can be read and written to through SFR with 8-bit unit.

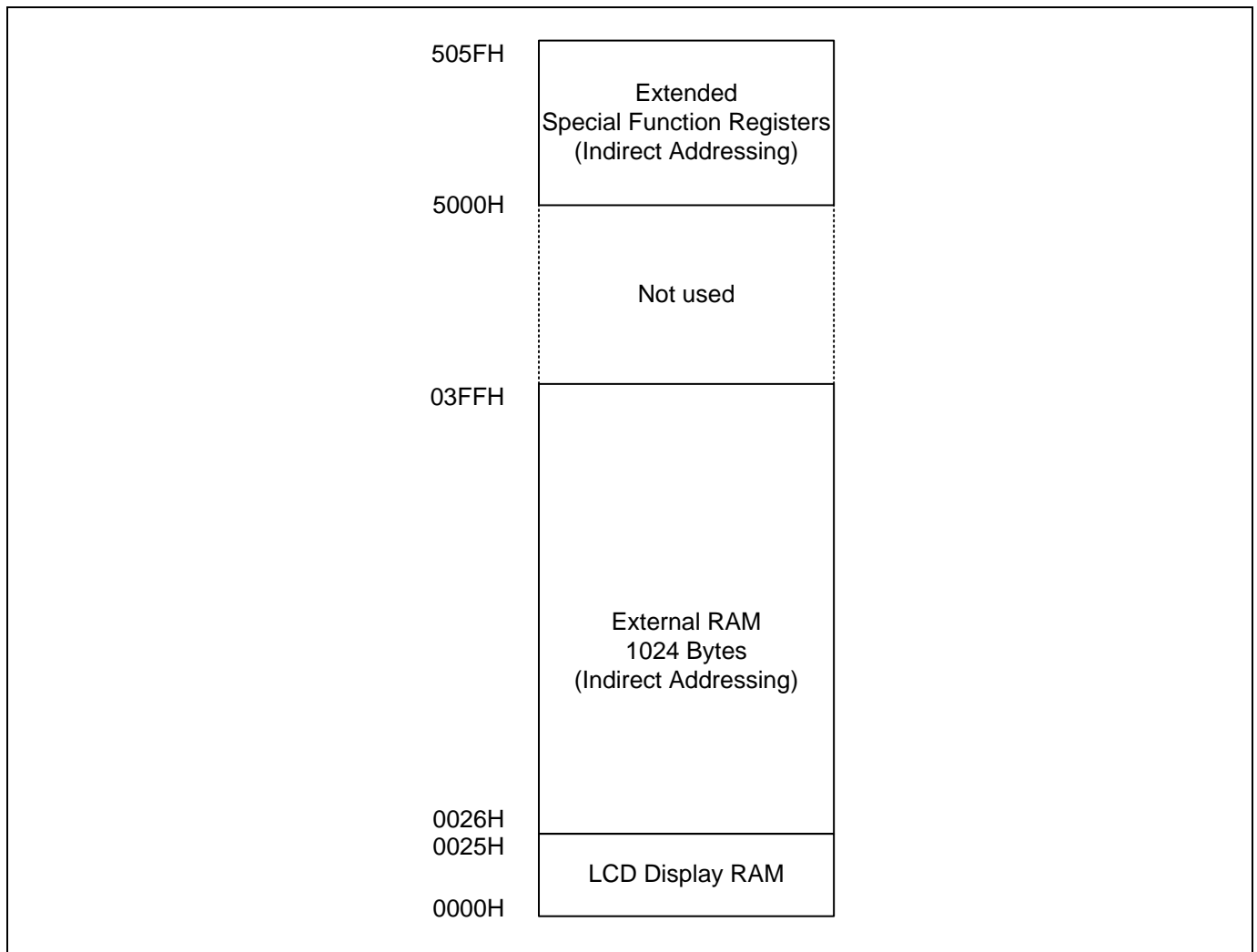


Figure 43 XDATA Memory Area

## 8.4 SFR Map

### 8.4.1 SFR Map Summary

-	Reserved
	M8051 compatible

	00H/8H <sup>(1)</sup>	01H/9H	02H/0AH	03H/0BH	04H/0CH	05H/0DH	06H/0EH	07H/0FH
0F8H	IP1	-	FSADRH	FSADRM	FSADRL	FIDR	FMCR	-
0F0H	B	IRCIDR	UARTCR1	UARTCR2	UARTCR3	UARTST	UARTBD	UARTDR
0E8H	RSTFR	P0FSR	P1FSR	P2FSR	P6FSR	P4FSRH	P4FSRL	P5FSR
0E0H	ACC	P7IO	P4PU	P5PU	P6PU	P7PU	P3FSRH	P3FSRL
0D8H	LVRCCR	P6IO	P6OD	P7OD	P0PU	P1PU	P2PU	P3PU
0D0H	PSW	P5IO	P0OD	P1OD	P2OD	P3OD	P4OD	P5OD
0C8H	OSCCR	P4IO	T3CRL	T3CRH	T3ADRL	T3ADRH	T3BDRL	T3BDRH
0C0H	P6	P3IO	T2CRL	T2CRH	T2ADRL	T2ADRH	T2BDRL	T2BDRH
0B8H	IP	P2IO	T1CR	T1CNT	T1DRL	T1DRH	CARCR	LIFSR
0B0H	P5	P1IO	T0CR	T0CNT	T0DR/ T0CDR	ITCRL	ITCRH	XTFLSR
0A8H	IE	IE1	IE2	IE3	P7FSR	ITDRL	ITDRH	FCDIN
0A0H	P4	P0IO	EO	EIFLAG0	EIPOL0	EIFLAG1	EIPOL1L	EIPOL1H
98H	P3	LCDCRL	LCDCRH	LCDCCR	ADCCRL	ADCCRH	ADCRL	ADCRH
90H	P2	IRCTCR	P7	IRCTRM	P36DB	P4DB	WTCR	BUZCR
88H	P1	WTDR/ WTCNT	SCCR	BITCR	BITCNT	WDTCR	WDTCR/ WTCNT	BUZDR
80H	P0	SP	DPL	DPH	DPL1	DPH1	LVICR	PCON

Table 24 SFR Map Summary

**NOTE)**

- 00H/8H(1), These registers are bit-addressable.

8.4.2 Extended SFR Map Summary

— Reserved

	00H/8H <sup>(1)</sup>	01H/9H	02H/0AH	03H/0BH	04H/0CH	05H/0DH	06H/0EH	07H/0FH
5058H	FCDRL							
5050H	FCSARH	FCEARH	FCSARM	FCEARM	FCSARL	FCEARL	FCCR	FCDRH
1078H								
1070H	CNFMRR0	CNFMRR1	CNFMRR2	CNFMRR3				

Table 25 XSFR Map Summary

8.4.3 SFR Map

Address	Function	Symbol	R/W	@Reset								
				7	6	5	4	3	2	1	0	
80H	P0 Data Register	P0	R/W	0	0	0	0	0	0	0	0	0
81H	Stack Pointer	SP	R/W	0	0	0	0	0	1	1	1	1
82H	Data Pointer Register Low	DPL	R/W	0	0	0	0	0	0	0	0	0
83H	Data Pointer Register High	DPH	R/W	0	0	0	0	0	0	0	0	0
84H	Data Pointer Register Low 1	DPL1	R/W	0	0	0	0	0	0	0	0	0
85H	Data Pointer Register High 1	DPH1	R/W	0	0	0	0	0	0	0	0	0
86H	Low Voltage Indicator Control Register	LVICR	R/W	-	-	0	0	0	0	0	0	0
87H	Power Control Register	PCON	R/W	0	-	-	-	0	0	0	0	0
88H	P1 Data Register	P1	R/W	0	0	0	0	0	0	0	0	0
89H	Watch Timer Data Register	WTDR	W	0	1	1	1	1	1	1	1	1
89H	Watch Timer Counter Register	WTCNT	R	-	0	0	0	0	0	0	0	0
8AH	System and Clock Control Register	SCCR	R/W	-	-	-	-	-	-	0	0	0
8BH	BIT Control Register	BITCR	R/W	0	0	0	-	0	0	0	0	1
8CH	Basic Interval Timer Counter Register	BITCNT	R	0	0	0	0	0	0	0	0	0
8DH	Watch Dog Timer Control Register	WDTCR	R/W	0	0	0	-	-	-	0	0	0
8EH	Watch Dog Timer Data Register	WDTDR	W	1	1	1	1	1	1	1	1	1
8EH	Watch Dog Timer Counter Register	WDCNT	R	0	0	0	0	0	0	0	0	0
8FH	BUZZER Data Register	BUZDR	R/W	1	1	1	1	1	1	1	1	1
90H	P2 Data Register	P2	R/W	0	0	0	0	0	0	0	0	0
91H	Internal RC Trim Control Register	IRCTCR	R/W	0	0	0	0	0	0	0	0	0
92H	P7 Data Register	P7	R/W	0	0	0	0	0	0	0	0	0
93H	Internal RC Trim Register	IRCTRM	R/W	x	x	x	x	x	x	x	x	x
94H	P3/P6 Debounce Enable Register	P36DB	R/W	0	0	-	-	-	0	0	0	0
95H	P4 Debounce Enable Register	P4DB	R/W	0	0	0	0	0	0	0	0	0
96H	Watch Timer Control Register	WTCR	R/W	0	-	0	0	0	0	0	0	0
97H	BUZZER Control Register	BUZCR	R/W	-	-	-	-	-	0	0	0	0
98H	P3 Data Register	P3	R/W	-	0	0	0	0	0	0	0	0
99H	LCD Driver Control Low Register	LCDCRL	R/W	0	0	-	0	0	0	0	0	0
9AH	LCD Driver Control High Register	LCDCRH	R/W	-	-	-	-	0	0	0	0	0
9BH	LCD Contrast Control Register	LCDCCR	R/W	-	-	-	-	0	0	0	0	0
9CH	A/D Converter Control Low Register	ADCCRL	R/W	0	0	0	0	0	0	0	0	0
9DH	A/D Converter Control High Register	ADCCRH	R/W	0	-	-	-	-	0	0	0	0
9EH	A/D Converter Data Low Register	ADCRL	R	x	x	x	x	x	x	x	x	x
9FH	A/D Converter Data High Register	ADCRH	R	x	x	x	x	x	x	x	x	x

Table 26 SFR Map

NOTE)

1. 'x' means don't care.

Address	Function	Symbol	R/W	@Reset								
				7	6	5	4	3	2	1	0	
A0H	P4 Data Register	P4	R/W	0	0	0	0	0	0	0	0	0
A1H	P0 Direction Register	P0IO	R/W	0	0	0	0	0	0	0	0	0
A2H	Extended Operation Register	EO	R/W	–	–	–	0	–	0	0	0	0
A3H	External Interrupt Flag 0 Register	EIFLAG0	R/W	0	0	–	–	–	0	0	0	0
A4H	External Interrupt Polarity 0 Register	EIPOL0	R/W	–	–	0	0	0	0	0	0	0
A5H	External Interrupt Flag 1 Register	EIFLAG1	R/W	0	0	0	0	0	0	0	0	0
A6H	External Interrupt Polarity 1 Low Register	EIPOL1L	R/W	0	0	0	0	0	0	0	0	0
A7H	External Interrupt Polarity 1 High Register	EIPOL1H	R/W	0	0	0	0	0	0	0	0	0
A8H	Interrupt Enable Register	IE	R/W	0	–	0	–	0	0	0	0	–
A9H	Interrupt Enable Register 1	IE1	R/W	–	–	–	0	0	–	–	–	–
AAH	Interrupt Enable Register 2	IE2	R/W	–	–	0	0	0	0	0	0	0
ABH	Interrupt Enable Register 3	IE3	R/W	–	–	–	0	0	0	0	0	0
ACH	Port 7 Function Selection Register	P7FSR	R/W	0	0	0	0	0	0	0	0	0
ADH	Interval Timer Data Low Register	ITDRL	R/W	1	1	1	1	1	1	1	1	1
AEH	Interval Timer Data High Register	ITDRH	R/W	1	1	1	1	1	1	1	1	1
AFH	Flash CRC Data In Register	FCDIN	R/W	0	0	0	0	0	0	0	0	0
B0H	P5 Data Register	P5	R/W	–	0	0	0	0	0	0	0	0
B1H	P1 Direction Register	P1IO	R/W	0	0	0	0	0	0	0	0	0
B2H	Timer 0 Control Register	T0CR	R/W	0	–	0	0	0	0	0	0	0
B3H	Timer 0 Counter Register	T0CNT	R	0	0	0	0	0	0	0	0	0
B4H	Timer 0 Data Register	T0DR	R/W	1	1	1	1	1	1	1	1	1
B4H	Timer 0 Capture Data Register	T0CDR	R	0	0	0	0	0	0	0	0	0
B5H	Interval Timer Control Low Register	ITCRL	R/W	0	0	0	0	0	–	0	0	0
B6H	Interval Timer Control High Register	ITCRH	R/W	0	–	–	–	–	–	–	0	0
B7H	X-tal Filter Selection Register	XTFLSR	R/W	0	0	0	0	0	0	0	0	0
B8H	Interrupt Priority Register	IP	R/W	–	–	0	0	0	0	0	0	0
B9H	P2 Direction Register	P2IO	R/W	0	0	0	0	0	0	0	0	0
BAH	Timer 1 Control Register	T1CR	R/W	0	0	–	0	0	0	0	0	0
BBH	Timer 1 Counter Register	T1CNT	R	0	0	0	0	0	0	0	0	0
BCH	Timer 1 Data Low Register	T1DRL	R/W	1	1	1	1	1	1	1	1	1
BDH	Timer 1 Data High Register	T1DRH	R/W	1	1	1	1	1	1	1	1	1
BEH	Carrier Control Register	CARCR	R/W	0	0	0	0	0	0	0	0	0
BFH	LFIRC Frequency Selection Register	LIFSR	R/W	0	0	0	0	0	–	0	0	0

Table 26. SFR Map (Continued)

Address	Function	Symbol	R/W	@Reset								
				7	6	5	4	3	2	1	0	
C0H	P6 Data Register	P6	R/W	-	-	-	0	0	0	0	0	0
C1H	P3 Direction Register	P3IO	R/W	-	0	0	0	0	0	0	0	0
C2H	Timer 2 Control Low Register	T2CRL	R/W	0	0	0	0	0	0	0	0	0
C3H	Timer 2 Control High Register	T2CRH	R/W	0	-	0	0	-	-	0	0	0
C4H	Timer 2 A Data Low Register	T2ADRL	R/W	1	1	1	1	1	1	1	1	1
C5H	Timer 2 A Data High Register	T2ADRH	R/W	1	1	1	1	1	1	1	1	1
C6H	Timer 2 B Data Low Register	T2BDRL	R/W	1	1	1	1	1	1	1	1	1
C7H	Timer 2 B Data High Register	T2BDRH	R/W	1	1	1	1	1	1	1	1	1
C8H	Oscillator Control Register	OSCCR	R/W	0	-	0	0	1	0	0	0	0
C9H	P4 Direction Register	P4IO	R/W	0	0	0	0	0	0	0	0	0
CAH	Timer 3 Control Low Register	T3CRL	R/W	0	0	0	0	0	0	-	0	0
CBH	Timer 3 Control High Register	T3CRH	R/W	0	-	0	0	0	-	0	0	0
CCH	Timer 3 A Data Low Register	T3ADRL	R/W	1	1	1	1	1	1	1	1	1
CDH	Timer 3 A Data High Register	T3ADRH	R/W	1	1	1	1	1	1	1	1	1
CEH	Timer 3 B Data Low Register	T3BDRL	R/W	1	1	1	1	1	1	1	1	1
CFH	Timer 3 B Data High Register	T3BDRH	R/W	1	1	1	1	1	1	1	1	1
D0H	Program Status Word Register	PSW	R/W	0	0	0	0	0	0	0	0	0
D1H	P5 Direction Register	P5IO	R/W	-	0	0	0	0	0	0	0	0
D2H	P0 Open-drain Selection Register	P0OD	R/W	0	0	0	0	0	0	0	0	0
D3H	P1 Open-drain Selection Register	P1OD	R/W	0	0	0	0	0	0	0	0	0
D4H	P2 Open-drain Selection Register	P2OD	R/W	0	0	0	0	0	0	0	0	0
D5H	P3 Open-drain Selection Register	P3OD	R/W	-	0	0	0	0	0	0	0	0
D6H	P4 Open-drain Selection Register	P4OD	R/W	0	0	0	0	0	0	0	0	0
D7H	P5 Open-drain Selection Register	P5OD	R/W	-	0	0	0	0	0	0	0	0
D8H	Low Voltage Reset Control Register	LVRCCR	R/W	0	-	0	0	0	0	0	0	0
D9H	P6 Direction Register	P6IO	R/W	-	-	-	0	0	0	0	0	0
DAH	P6 Open-drain Selection Register	P6OD	R/W	-	-	-	0	0	0	0	0	0
DBH	P7 Open-drain Selection Register	P7OD	R/W	0	0	0	0	0	0	0	0	0
DCH	P0 Pull-up Resistor Selection Register	P0PU	R/W	0	0	0	0	0	0	0	0	0
DDH	P1 Pull-up Resistor Selection Register	P1PU	R/W	0	0	0	0	0	0	0	0	0
DEH	P2 Pull-up Resistor Selection Register	P2PU	R/W	0	0	0	0	0	0	0	0	0
DFH	P3 Pull-up Resistor Selection Register	P3PU	R/W	-	0	0	0	0	0	0	0	0

Table 26. SFR Map (Continued)



Address	Function	Symbol	R/W	@Reset								
				7	6	5	4	3	2	1	0	
E0H	Accumulator A Register	ACC	R/W	0	0	0	0	0	0	0	0	0
E1H	P7 Direction Register	P7IO	R/W	0	0	0	0	0	0	0	0	0
E2H	P4 Pull-up Resistor Selection Register	P4PU	R/W	0	0	0	0	0	0	0	0	0
E3H	P5 Pull-up Resistor Selection Register	P5PU	R/W	–	0	0	0	0	0	0	0	0
E4H	P6 Pull-up Resistor Selection Register	P6PU	R/W	–	–	–	0	0	0	0	0	0
E5H	P7 Pull-up Resistor Selection Register	P7PU	R/W	0	0	0	0	0	0	0	0	0
E6H	Port 3 Function Selection High Register	P3FSRH	R/W	–	–	–	–	–	–	–	0	0
E7H	Port 3 Function Selection Low Register	P3FSRL	R/W	0	0	0	0	0	0	0	0	0
E8H	Reset Flag Register	RSTFR	R/W	1	x	0	0	x	x	–	–	–
E9H	Port 0 Function Selection Register	P0FSR	R/W	0	0	0	0	0	0	0	0	0
EAH	Port 1 Function Selection Register	P1FSR	R/W	0	0	0	0	0	0	0	0	0
EBH	Port 2 Function Selection Register	P2FSR	R/W	0	0	0	0	0	0	0	0	0
ECH	Port 6 Function Selection Register	P6FSR	R/W	–	–	–	–	0	0	0	0	0
EDH	Port 4 Function Selection High Register	P4FSRH	R/W	–	–	–	0	0	0	0	0	0
EEH	Port 4 Function Selection Low Register	P4FSRL	R/W	–	0	0	0	0	0	0	0	0
EFH	Port 5 Function Selection Register	P5FSR	R/W	–	–	0	0	0	0	0	0	0
F0H	B Register	B	R/W	0	0	0	0	0	0	0	0	0
F1H	Internal RC Trim Identification Register	IRCIDR	R/W	0	0	0	0	0	0	0	0	0
F2H	UART Control Register 1	UARTCR1	R/W	–	–	0	0	0	0	0	0	–
F3H	UART Control Register 2	UARTCR2	R/W	0	0	0	0	0	0	0	0	0
F4H	UART Control Register 3	UARTCR3	R/W	–	0	–	–	–	0	0	0	0
F5H	UART Status Register	UARTST	R/W	1	0	0	0	0	0	0	0	0
F6H	UART Baud Rate Generation Register	UARTBD	R/W	1	1	1	1	1	1	1	1	1
F7H	UART Data Register	UARTDR	R/W	0	0	0	0	0	0	0	0	0
F8H	Interrupt Priority Register 1	IP1	R/W	–	–	0	0	0	0	0	0	0
F9H	Reserved	–	–	–								
FAH	Flash Sector Address High Register	FSADRH	R/W	–	–	–	–	0	0	0	0	0
FBH	Flash Sector Address Middle Register	FSADRM	R/W	0	0	0	0	0	0	0	0	0
FCH	Flash Sector Address Low Register	FSADRL	R/W	0	0	0	0	0	0	0	0	0
FDH	Flash Identification Register	FIDR	R/W	0	0	0	0	0	0	0	0	0
FEH	Flash Mode Control Register	FMCR	R/W	0	–	–	–	–	0	0	0	0
FFH	Reserved	–	–	–								

Table 26. SFR Map (Concluded)

8.4.4 Extended SFR Map

Address	Function	Symbol	R/W	@Reset								
				7	6	5	4	3	2	1	0	
-----												
1070H	Configure Mirror Register 0	CNFMRR0	R	x	x	x	x	x	x	x	x	x
1071H	Configure Mirror Register 1	CNFMRR1	R	x	x	x	x	x	x	x	x	x
1072H	Configure Mirror Register 2	CNFMRR2	R	x	x	x	x	x	x	x	x	x
1073H	Configure Mirror Register 3	CNFMRR3	R	x	x	x	x	x	x	x	x	x
-----												
5050H	Flash CRC Start Address High Register	FCSARH	R/W	-	-	-	-	-	-	-	-	0
5051H	Flash CRC End Address High Register	FCEARH	R/W	-	-	-	-	-	-	-	-	0
5052H	Flash CRC Start Address Middle Register	FCSARM	R/W	0	0	0	0	0	0	0	0	0
5053H	Flash CRC End Address Middle Register	FCEARM	R/W	0	0	0	0	0	0	0	0	0
5054H	Flash CRC Start Address Low Register	FCSARL	R/W	0	0	0	0	0	0	0	0	0
5055H	Flash CRC End Address Low Register	FCEARL	R/W	0	0	0	0	1	1	1	1	1
5056H	Flash CRC Control Register	FCCR	R/W	0	0	0	-	0	0	0	0	0
5057H	Flash CRC Data High Register	FCDRH	R/W	1	1	1	1	1	1	1	1	1
5058H	Flash CRC Data Low Register	FCDRL	R/W	1	1	1	1	1	1	1	1	1

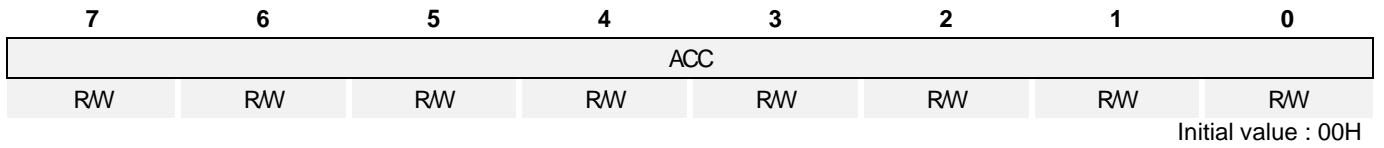
Table 27 XSFR Map

NOTE)

1. The CNFMRR0 to 3 registers are mirror to read 4-bytes of configure area.

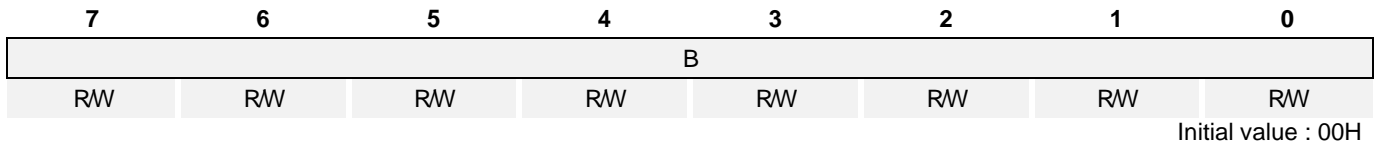
8.4.5 COMPILER COMPATIBLE SFR

ACC (Accumulator Register) : E0H



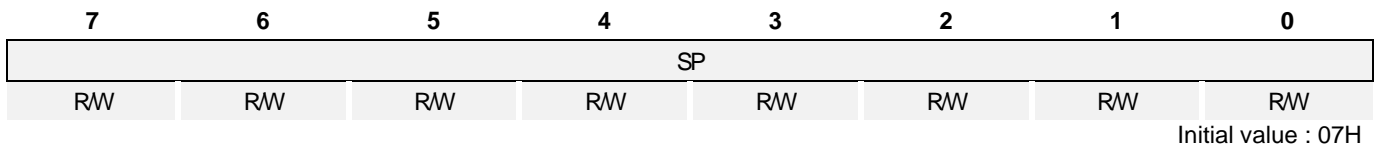
ACC                      Accumulator

B (B Register) : F0H



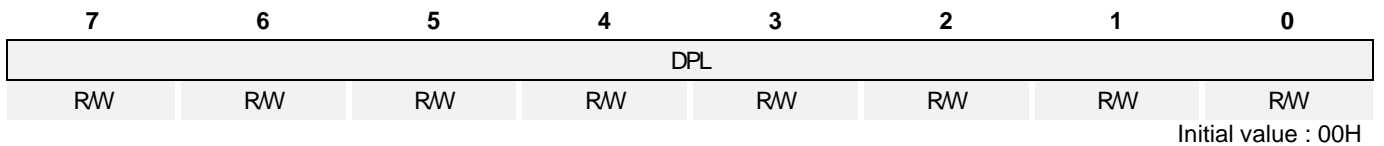
B                              B Register

SP (Stack Pointer) : 81H



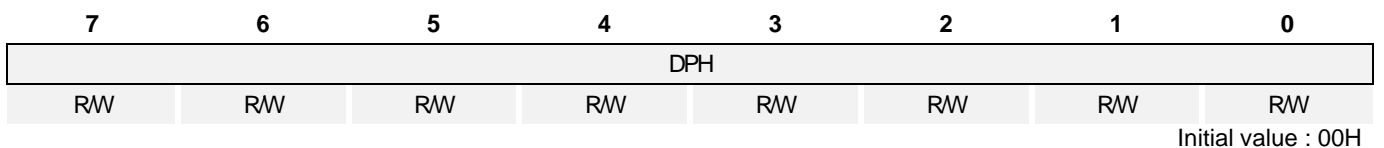
SP                              Stack Pointer

DPL (Data Pointer Register Low) : 82H



DPL                              Data Pointer Low

DPH (Data Pointer Register High) : 83H



DPH                              Data Pointer High

**DPL1 (Data Pointer Register Low 1) : 84H**

7	6	5	4	3	2	1	0
DPL1							
RW	RW	RW	RW	RW	RW	RW	RW

Initial value : 00H

DPL1                      Data Pointer Low 1

**DPH1 (Data Pointer Register High 1) : 85H**

7	6	5	4	3	2	1	0
DPH1							
RW	RW	RW	RW	RW	RW	RW	RW

Initial value : 00H

DPH1                      Data Pointer High 1

**PSW (Program Status Word Register) : D0H**

7	6	5	4	3	2	1	0
CY	AC	F0	RS1	RS0	OV	F1	P
RW	RW	RW	RW	RW	RW	RW	RW

Initial value : 00H

- CY                      Carry Flag
- AC                      Auxiliary Carry Flag
- F0                      General Purpose User-Definable Flag
- RS1                      Register Bank Select bit 1
- RS0                      Register Bank Select bit 0
- OV                      Overflow Flag
- F1                      User-Definable Flag
- P                      Parity Flag. Set/cleared by hardware each instruction cycle to indicate an odd/even number of '1' bits in the accumulator

**EO (Extended Operation Register) : A2H**

7	6	5	4	3	2	1	0
-	-	-	TRAP_EN	-	DPSEL2	DPSEL1	DPSEL0
-	-	-	RW	-	RW	RW	RW

Initial value : 00H

- TRAP\_EN              Select the Instruction (Keep always '0').
  - 0              Select MOVC @(DPTR++), A
  - 1              Select Software TRAP Instruction
- DPSEL[2:0]            Select Banked Data Pointer Register
 

DPSEL2	DPSEL1	DPSEL0	Description
0	0	0	DPTR0
0	0	1	DPTR1
Reserved			

## 9 I/O Ports

### 9.1 I/O Ports

The A96R739 has eight groups of I/O ports (P0 ~ P7). Each port can be easily configured by software as I/O pin, internal pull up and open-drain pin to meet various system configurations and design requirements. Also P4, P34, P36 and P63 include function that can generate interrupt according to change of state of the pin.

### 9.2 Port Register

#### 9.2.1 Data Register (Px)

Data Register is a bidirectional I/O port. If ports are configured as output ports, data can be written to the corresponding bit of the Px. If ports are configured as input ports, the data can be read from the corresponding bit of the Px.

#### 9.2.2 Direction Register (PxIO)

Each I/O pin can be independently used as an input or an output through the PxIO register. Bits cleared in this register will make the corresponding pin of Px to input mode. Set bits of this register will make the pin to output mode. Almost bits are cleared by a system reset, but some bits are set by a system reset.

#### 9.2.3 Pull-up Resistor Selection Register (PxPU)

The on-chip pull-up resistor can be connected to I/O ports individually with a pull-up resistor selection register (PxPU). The pull-up register selection controls the pull-up resistor enable/disable of each port. When the corresponding bit is 1, the pull-up resistor of the pin is enabled. When 0, the pull-up resistor is disabled. All bits are cleared by a system reset.

#### 9.2.4 Open-drain Selection Register (PxOD)

There are internally open-drain selection registers (PxOD) for P0 ~ P7. The open-drain selection register controls the open-drain enable/disable of each port. Almost ports become push-pull by a system reset, but some ports become open-drain by a system reset.

#### 9.2.5 De-bounce Enable Register (PxDB)

P4, P34, P36 and P63 support debounce function. Debounce clocks of each ports are  $fx/1$ ,  $fx/4$ ,  $fx/32$  and  $fx/4096$ .

#### 9.2.6 Port Function Selection Register (PxFSR)

These registers define alternative functions of ports. Please remember that these registers should be set properly for alternative port function. A reset clears the PxFSR register to '00H', which makes all pins to normal I/O ports.

## 9.2.7 Register Map

Name	Address	Dir	Default	Description
P0	80H	R/W	00H	P0 Data Register
P0IO	A1H	R/W	00H	P0 Direction Register
P0PU	DCH	R/W	00H	P0 Pull-up Resistor Selection Register
P0OD	D2H	R/W	00H	P0 Open-drain Selection Register
P0FSR	E9H	R/W	00H	Port 0 Function Selection Register
P1	88H	R/W	00H	P1 Data Register
P1IO	B1H	R/W	00H	P1 Direction Register
P1PU	DDH	R/W	00H	P1 Pull-up Resistor Selection Register
P1OD	D3H	R/W	00H	P1 Open-drain Selection Register
P1FSR	EAH	R/W	00H	Port 1 Function Selection Register
P2	90H	R/W	00H	P2 Data Register
P2IO	B9H	R/W	00H	P2 Direction Register
P2PU	DEH	R/W	00H	P2 Pull-up Resistor Selection Register
P2OD	D4H	R/W	00H	P2 Open-drain Selection Register
P2FSR	EBH	R/W	00H	Port 2 Function Selection Register
P3	98H	R/W	00H	P3 Data Register
P3IO	C1H	R/W	00H	P3 Direction Register
P3PU	DFH	R/W	00H	P3 Pull-up Resistor Selection Register
P3OD	D5H	R/W	00H	P3 Open-drain Selection Register
P36DB	94H	R/W	00H	P3/P6 Debounce Enable Register
P3FSRH	E6H	R/W	00H	Port 3 Function Selection High Register
P3FSRL	E7H	R/W	00H	Port 3 Function Selection Low Register
P4	A0H	R/W	00H	P4 Data Register
P4IO	C9H	R/W	00H	P4 Direction Register
P4PU	E2H	R/W	00H	P4 Pull-up Resistor Selection Register
P4OD	D6H	R/W	00H	P4 Open-drain Selection Register
P4DB	95H	R/W	00H	P4 Debounce Enable Register
P4FSRH	EDH	R/W	00H	Port 4 Function Selection High Register
P4FSRL	EEH	R/W	00H	Port 4 Function Selection Low Register
P5	B0H	R/W	00H	P5 Data Register
P5IO	D1H	R/W	00H	P5 Direction Register
P5PU	E3H	R/W	00H	P5 Pull-up Resistor Selection Register
P5OD	D7H	R/W	00H	P5 Open-drain Selection Register
P5FSR	EFH	R/W	00H	Port 5 Function Selection Register
P6	C0H	R/W	00H	P6 Data Register
P6IO	D9H	R/W	00H	P6 Direction Register
P6PU	E4H	R/W	00H	P6 Pull-up Resistor Selection Register
P6OD	DAH	R/W	00H	P6 Open-drain Selection Register
P6FSR	ECH	R/W	00H	Port 6 Function Selection Register

Table 28 Port Register Map

Name	Address	Dir	Default	Description
P7	92H	R/W	00H	P7 Data Register
P7IO	E1H	R/W	00H	P7 Direction Register
P7PU	E5H	R/W	00H	P7 Pull-up Resistor Selection Register
P7OD	DBH	R/W	00H	P7 Open-drain Selection Register
P7FSR	ACH	R/W	00H	Port 7 Function Selection Register

**Table 28** Port Register Map(Concluded)

### 9.3 P0 Port

#### 9.3.1 P0 Port Description

P0 is 8-bit I/O port. P0 control registers consist of P0 data register (P0), P0 direction register (P0IO), P0 pull-up resistor selection register (P0PU) and P0 open-drain selection register (P0OD). Refer to the port function selection registers for the P0 function selection.

#### 9.3.2 Register description for P0

##### P0 (P0 Data Register) : 80H

7	6	5	4	3	2	1	0
P07	P06	P05	P04	P03	P02	P01	P00
R/W	R/W	R/W	R/W	R/W	R/W	R/W	R/W

Initial value : 00H

P0[7:0] I/O Data

##### P0IO (P0 Direction Register) : A1H

7	6	5	4	3	2	1	0
P07IO	P06IO	P05IO	P04IO	P03IO	P02IO	P01IO	P00IO
R/W	R/W	R/W	R/W	R/W	R/W	R/W	R/W

Initial value : 00H

P0IO[7:0] P0 Data I/O Direction.  
 0 Input  
 1 Output

##### P0PU (P0 Pull-up Resistor Selection Register) : DCH

7	6	5	4	3	2	1	0
P07PU	P06PU	P05PU	P04PU	P03PU	P02PU	P01PU	P00PU
R/W	R/W	R/W	R/W	R/W	R/W	R/W	R/W

Initial value : 00H

P0PU[7:0] Configure Pull-up Resistor of P0 Port  
 0 Disable  
 1 Enable

##### P0OD (P0 Open-drain Selection Register): D2H

7	6	5	4	3	2	1	0
P07OD	P06OD	P05OD	P04OD	P03OD	P02OD	P01OD	P00OD
R/W	R/W	R/W	R/W	R/W	R/W	R/W	R/W

Initial value : 00H

P0OD[7:0] Configure Open-drain of P0 Port  
 0 Push-pull output  
 1 Open-drain output



**P0FSR (P0 Function Selection Register) : E9H**

7	6	5	4	3	2	1	0
P0FSR7	P0FSR6	P0FSR5	P0FSR4	P0FSR3	P0FSR2	P0FSR1	P0FSR0
R/W	R/W	R/W	R/W	R/W	R/W	R/W	R/W

Initial value : 00H

P0FSR7	P07 Function Select
	0 I/O Port
	1 SEG7 Function
P0FSR6	P06 Function Select
	0 I/O Port
	1 SEG6 Function
P0FSR5	P05 Function Select
	0 I/O Port
	1 COM7/SEG5 Function
P0FSR4	P04 Function Select
	0 I/O Port
	1 COM6/SEG4 Function
P0FSR3	P03 Function Select
	0 I/O Port
	1 COM5/SEG3 Function
P0FSR2	P02 Function Select
	0 I/O Port
	1 COM4/SEG2 Function
P0FSR1	P01 Function Select
	0 I/O Port
	1 COM3/SEG1 Function
P0FSR0	P00 Function Select
	0 I/O Port
	1 COM2/SEG0 Function

**NOTE)**

1. The P00 ~ P05 is automatically configured as common or segment signal according to the duty in the LCDCTRL register when the pin is selected as a sub-function.

## 9.4 P1 Port

### 9.4.1 P1 Port Description

P1 is 8-bit I/O port. P1 control registers consist of P1 data register (P1), P1 direction register (P1IO), P1 pull-up resistor selection register (P1PU) and P1 open-drain selection register (P1OD). Refer to the port function selection registers for the P1 function selection.

### 9.4.2 Register description for P1

#### P1 (P1 Data Register) : 88H

7	6	5	4	3	2	1	0
P17	P16	P15	P14	P13	P12	P11	P10
R/W	R/W	R/W	R/W	R/W	R/W	R/W	R/W

Initial value : 00H

P1[7:0] I/O Data

#### P1IO (P1 Direction Register) : B1H

7	6	5	4	3	2	1	0
P17IO	P16IO	P15IO	P14IO	P13IO	P12IO	P11IO	P10IO
R/W	R/W	R/W	R/W	R/W	R/W	R/W	R/W

Initial value : 00H

P1IO[7:0] P1 Data I/O Direction  
 0 Input  
 1 Output

#### P1PU (P1 Pull-up Resistor Selection Register) : DDH

7	6	5	4	3	2	1	0
P17PU	P16PU	P15PU	P14PU	P13PU	P12PU	P11PU	P10PU
R/W	R/W	R/W	R/W	R/W	R/W	R/W	R/W

Initial value : 00H

P1PU[7:0] Configure Pull-up Resistor of P1 Port  
 0 Disable  
 1 Enable

#### P1OD (P1 Open-drain Selection Register) : D3H

7	6	5	4	3	2	1	0
P17OD	P16OD	P15OD	P14OD	P13OD	P12OD	P11OD	P10OD
R/W	R/W	R/W	R/W	R/W	R/W	R/W	R/W

Initial value : 00H

P1OD[7:0] Configure Open-drain of P1 Port  
 0 Push-pull output  
 1 Open-drain output

**P1FSR (Port 1 Function Selection Register) : EAH**

7	6	5	4	3	2	1	0
P1FSR7	P1FSR6	P1FSR5	P1FSR4	P1FSR3	P1FSR2	P1FSR1	P1FSR0
R/W	R/W	R/W	R/W	R/W	R/W	R/W	R/W

Initial value : 00H

P1FSR7	P17 Function Select
	0 I/O Port
	1 SEG15 Function
P1FSR6	P16 Function Select
	0 I/O Port
	1 SEG14 Function
P1FSR5	P15 Function Select
	0 I/O Port
	1 SEG13 Function
P1FSR4	P14 Function Select
	0 I/O Port
	1 SEG12 Function
P1FSR3	P13 Function Select
	0 I/O Port
	1 SEG11 Function
P1FSR2	P12 Function Select
	0 I/O Port
	1 SEG10 Function
P1FSR1	P11 Function Select
	0 I/O Port
	1 SEG9 Function
P1FSR0	P10 Function Select
	0 I/O Port
	1 SEG8 Function

## 9.5 P2 Port

### 9.5.1 P2 Port Description

P2 is 8-bit I/O port. P2 control registers consist of P2 data register (P2), P2 direction register (P2IO), P2 pull-up resistor selection register (P2PU) and P2 open-drain selection register (P2OD). Refer to the port function selection registers for the P2 function selection.

### 9.5.2 Register description for P2

#### P2 (P2 Data Register) : 90H

7	6	5	4	3	2	1	0
P27	P26	P25	P24	P23	P22	P21	P20
R/W	R/W	R/W	R/W	R/W	R/W	R/W	R/W

Initial value : 00H

P2[7:0] I/O Data

#### P2IO (P2 Direction Register) : B9H

7	6	5	4	3	2	1	0
P27IO	P26IO	P25IO	P24IO	P23IO	P22IO	P21IO	P20IO
R/W	R/W	R/W	R/W	R/W	R/W	R/W	R/W

Initial value : 00H

P2IO[7:0] P2 Data I/O Direction  
 0 Input  
 1 Output

#### P2PU (P2 Pull-up Resistor Selection Register) : DEH

7	6	5	4	3	2	1	0
P27PU	P26PU	P25PU	P24PU	P23PU	P22PU	P21PU	P20PU
R/W	R/W	R/W	R/W	R/W	R/W	R/W	R/W

Initial value : 00H

P2PU[7:0] Configure Pull-up Resistor of P2 Port  
 0 Disable  
 1 Enable

#### P2OD (P2 Open-drain Selection Register) : D4H

7	6	5	4	3	2	1	0
P27OD	P26OD	P25OD	P24OD	P23OD	P22OD	P21OD	P20OD
R/W	R/W	R/W	R/W	R/W	R/W	R/W	R/W

Initial value : 00H

P2OD[7:0] Configure Open-drain of P2 Port  
 0 Push-pull output  
 1 Open-drain output

**P2FSR (Port 2 Function Selection Register) : EBH**

7	6	5	4	3	2	1	0
P2FSR7	P2FSR6	P2FSR5	P2FSR4	P2FSR3	P2FSR2	P2FSR1	P2FSR0
R/W	R/W	R/W	R/W	R/W	R/W	R/W	R/W

Initial value : 00H

P2FSR7	P27 Function Select
	0 I/O Port
	1 SEG23 Function
P2FSR6	P26 Function Select
	0 I/O Port
	1 SEG22 Function
P2FSR5	P25 Function Select
	0 I/O Port
	1 SEG21 Function
P2FSR4	P24 Function Select
	0 I/O Port
	1 SEG20 Function
P2FSR3	P23 Function Select
	0 I/O Port
	1 SEG19 Function
P2FSR2	P22 Function Select
	0 I/O Port
	1 SEG18 Function
P2FSR1	P21 Function Select
	0 I/O Port
	1 SEG17 Function
P2FSR0	P20 Function Select
	0 I/O Port
	1 SEG16 Function

## 9.6 P3 Port

### 9.6.1 P3 Port Description

P3 is 7-bit I/O port. P3 control registers consist of P3 data register (P3), P3 direction register (P3IO), debounce enable register (P36DB), P3 pull-up resistor selection register (P3PU) and P3 open-drain selection register (P3OD). Refer to the port function selection registers for the P3 function selection.

### 9.6.2 Register description for P3

#### P3 (P3 Data Register) : 98H

7	6	5	4	3	2	1	0
–	P36	P35	P34	P33	P32	P31	P30
–	R/W	R/W	R/W	R/W	R/W	R/W	R/W

Initial value : 00H

P3[6:0] I/O Data

#### P3IO (P3 Direction Register) : C1H

7	6	5	4	3	2	1	0
–	P36IO	P35IO	P34IO	P33IO	P32IO	P31IO	P30IO
–	R/W	R/W	R/W	R/W	R/W	R/W	R/W

Initial value : 00H

P3IO[6:0] P3 Data I/O Direction

0 Input

1 Output

**NOTE)**

1. EINT12/13 function possible when input

#### P3PU (P3 Pull-up Resistor Selection Register) : DFH

7	6	5	4	3	2	1	0
–	P36PU	P35PU	P34PU	P33PU	P32PU	P31PU	P30PU
–	R/W	R/W	R/W	R/W	R/W	R/W	R/W

Initial value : 00H

P3PU[6:0] Configure Pull-up Resistor of P3 Port

0 Disable

1 Enable

#### P3OD (P3 Open-drain Selection Register) : D5H

7	6	5	4	3	2	1	0
–	P36OD	P35OD	P34OD	P33OD	P32OD	P31OD	P30OD
–	R/W	R/W	R/W	R/W	R/W	R/W	R/W

Initial value : 00H

P3OD[6:0] Configure Open-drain of P3 Port

0 Push-pull output

1 Open-drain output

**P36DB (P3/P6 Debounce Enable Register) : 94H**

7	6	5	4	3	2	1	0
DBCLK1	DBCLK0	–	–	–	P63DB	P36DB	P34DB
R/W	R/W	–	–	–	R/W	R/W	R/W

Initial value : 00H

DBCLK[1:0]	Configure Debounce Clock of Port	
	DBCLK1	DBCLK0
	0	0
	0	1
	1	0
	1	1
		description
		fx (SCLK)
		fx/4
		fx/4096
		fx/32
P63DB	Configure Debounce of P63 Port	
	0	Disable
	1	Enable
P36DB	Configure Debounce of P36 Port	
	0	Disable
	1	Enable
P34DB	Configure Debounce of P34 Port	
	0	Disable
	1	Enable

**NOTE)**

1. If the same level is not detected on an enabled pin three or four times in a row at the sampling clock, the signal is eliminated as noise.
2. A pulse level should be input for the duration of 3 clocks or more to be actually detected as a valid edge.
3. The port debounce is automatically disabled at stop mode and recovered after stop mode release.

**P3FSRH (Port 3 Function Selection High Register) : E6H**

7	6	5	4	3	2	1	0
–	–	–	–	–	–	P3FSRH1	P3FSRH0
–	–	–	–	–	–	R/W	R/W

Initial value : 00H

P3FSRH[1:0] P36 Function Select

P3FSRH1	P3FSRH0	Description
0	0	I/O Port (EINT13 function possible when input)
0	1	T3O/PWM3O Function
1	0	SEG30 Function
1	1	Not used

**P3FSRL (Port 3 Function Selection Low Register) : E7H**

7	6	5	4	3	2	1	0
P3FSRL7	P3FSRL6	P3FSRL5	P3FSRL4	P3FSRL3	P3FSRL2	P3FSRL1	P3FSRL0
R/W	R/W	R/W	R/W	R/W	R/W	R/W	R/W

Initial value : 00H

P3FSRL[7:6] P35 Function Select

P3FSRL7	P3FSRL6	Description
0	0	I/O Port
0	1	BUZO Function
1	0	SEG29 Function
1	1	Not used

P3FSRL[5:4] P34 Function Select

P3FSRL5	P3FSRL4	Description
0	0	I/O Port (EINT12 function possible when input)
0	1	T2O/PWM2O Function
1	0	SEG28 Function
1	1	Not used

P3FSRL3 P33 Function Select

0	I/O Port
1	SEG27 Function

P3FSRL2 P32 Function Select

0	I/O Port
1	SEG26 Function

P3FSRL1 P31 Function Select

0	I/O Port
1	SEG25 Function

P3FSRL0 P30 Function Select

0	I/O Port
1	SEG24 Function



## 9.7 P4 Port

### 9.7.1 P4 Port Description

P4 is 8-bit I/O port. P4 control registers consist of P4 data register (P4), P4 direction register (P4IO), debounce enable register (P4DB), P4 pull-up resistor selection register (P4PU) and P4 open-drain selection register (P4OD). Refer to the port function selection registers for the P4 function selection.

### 9.7.2 Register description for P4

#### P4 (P4 Data Register) : A0H

7	6	5	4	3	2	1	0
P47	P46	P45	P44	P43	P42	P41	P40
R/W	R/W	R/W	R/W	R/W	R/W	R/W	R/W

Initial value : 00H

P4[7:0] I/O Data

#### P4IO (P4 Direction Register) : C9H

7	6	5	4	3	2	1	0
P47IO	P46IO	P45IO	P44IO	P43IO	P42IO	P41IO	P40IO
R/W	R/W	R/W	R/W	R/W	R/W	R/W	R/W

Initial value : 00H

P4IO[7:0] P4 Data I/O Direction  
 0 Input  
 1 Output

#### NOTE)

1. EINT0 - ENT7 function possible when input

#### P4PU (P4 Pull-up Resistor Selection Register) : E2H

7	6	5	4	3	2	1	0
P47PU	P46PU	P45PU	P44PU	P43PU	P42PU	P41PU	P40PU
R/W	R/W	R/W	R/W	R/W	R/W	R/W	R/W

Initial value : 00H

P4PU[7:0] Configure Pull-up Resistor of P4 Port  
 0 Disable  
 1 Enable

#### P4OD (P4 Open-drain Selection Register) : D6H

7	6	5	4	3	2	1	0
P47OD	P46OD	P45OD	P44OD	P43OD	P42OD	P41OD	P40OD
R/W	R/W	R/W	R/W	R/W	R/W	R/W	R/W

Initial value : 00H

P4OD[7:0] Configure Open-drain of P4 Port  
 0 Push-pull output  
 1 Open-drain output

**P4DB (P4 Debounce Enable Register) : 95H**

7	6	5	4	3	2	1	0
P47DB	P46DB	P45DB	P44DB	P43DB	P42DB	P41DB	P40DB
R/W	R/W	R/W	R/W	R/W	R/W	R/W	R/W

Initial value : 00H

- P47DB      Configure Debounce of P47 Port  
 0      Disable  
 1      Enable
- P46DB      Configure Debounce of P46 Port  
 0      Disable  
 1      Enable
- P45DB      Configure Debounce of P45 Port  
 0      Disable  
 1      Enable
- P44DB      Configure Debounce of P44 Port  
 0      Disable  
 1      Enable
- P43DB      Configure Debounce of P43 Port  
 0      Disable  
 1      Enable
- P42DB      Configure Debounce of P42 Port  
 0      Disable  
 1      Enable
- P41DB      Configure Debounce of P41 Port  
 0      Disable  
 1      Enable
- P40DB      Configure Debounce of P40 Port  
 0      Disable  
 1      Enable

**NOTE)**

1. If the same level is not detected on enabled pin three or four times in a row at the sampling clock, the signal is eliminated as noise.
2. A pulse level should be input for the duration of 3 clocks or more to be actually detected as a valid edge.
3. The port debounce is automatically disabled at stop mode and recovered after stop mode release.
4. Refer to the port 3/6 debounce enable register (P36DB) for the debounce clock of port 4.

**P4FSRH (Port 4 Function Selection High Register) : EDH**

7	6	5	4	3	2	1	0
–	–	–	P4FSRH4	P4FSRH3	P4FSRH2	P4FSRH1	P4FSRH0
–	–	–	R/W	R/W	R/W	R/W	R/W

Initial value : 00H

P4FSRH4	P47 Function Select		
	0	I/O Port (EINT7 function possible when input)	
	1	AN3 Function	
P4FSRH[3:2]	P46 Function Select		
	P4FSRH3	P4FSRH2	Description
	0	0	I/O Port (EINT6 function possible when input)
	0	1	Not used
	1	0	SEG37 Function
	1	1	Not used
P4FSRH[1:0]	P45 Function Select		
	P4FSRH1	P4FSRH0	Description
	0	0	I/O Port (EINT5 function possible when input)
	0	1	Not used
	1	0	SEG36 Function
	1	1	Not used

**P4FSRL (Port 4 Function Selection Low Register) : EEH**

7	6	5	4	3	2	1	0
–	P4FSRL6	P4FSRL5	P4FSRL4	P4FSRL3	P4FSRL2	P4FSRL1	P4FSRL0
–	R/W	R/W	R/W	R/W	R/W	R/W	R/W

Initial value : 00H

P4FSRL[6:5]	P44 Function Select		
	P4FSRL6	P4FSRL5	Description
	0	0	I/O Port (EINT4 function possible when input)
	0	1	Not used
	1	0	SEG35 Function
	1	1	Not used
P4FSRL4	P43 Function Select		
	0	I/O Port (EINT3 function possible when input)	
	1	SEG34 Function	
P4FSRL3	P42 Function Select		
	0	I/O Port (EINT2 function possible when input)	
	1	SEG33 Function	
P4FSRL2	P41 Function Select		
	0	I/O Port (EINT1 function possible when input)	
	1	SEG32 Function	
P4FSRL[1:0]	P40 Function Select		
	P4FSRL1	P4FSRL0	Description
	0	0	I/O Port (EINT0 function possible when input)
	0	1	EC2 Function
	1	0	SEG31 Function
	1	1	Not used

## 9.8 P5 Port

### 9.8.1 P5 Port Description

P5 is 7-bit I/O port. P5 control registers consist of P5 data register (P5), P5 direction register (P5IO), P5 pull-up resistor selection register (P5PU) and P5 open-drain selection register (P5OD). Refer to the port function selection registers for the P5 function selection.

### 9.8.2 Register description for P5

#### P5 (P5 Data Register) : B0H

7	6	5	4	3	2	1	0
–	P56	P55	P54	P53	P52	P51	P50
–	R/W	R/W	R/W	R/W	R/W	R/W	R/W

Initial value : 00H

P5[6:0] I/O Data

#### P5IO (P5 Direction Register) : D1H

7	6	5	4	3	2	1	0
–	P56IO	P55IO	P54IO	P53IO	P52IO	P51IO	P50IO
–	R/W	R/W	R/W	R/W	R/W	R/W	R/W

Initial value : 00H

P5IO[6:0] P5 Data I/O Direction  
 0 Input  
 1 Output

#### NOTE)

1. RXD function possible when input

#### P5PU (P5 Pull-up Resistor Selection Register) : E3H

7	6	5	4	3	2	1	0
–	P56PU	P55PU	P54PU	P53PU	P52PU	P51PU	P50PU
–	R/W	R/W	R/W	R/W	R/W	R/W	R/W

Initial value : 00H

P5PU[6:0] Configure Pull-up Resistor of P5 Port  
 0 Disable  
 1 Enable

#### P5OD (P5 Open-drain Selection Register) : D7H

7	6	5	4	3	2	1	0
–	P56OD	P55OD	P54OD	P53OD	P52OD	P51OD	P50OD
–	R/W	R/W	R/W	R/W	R/W	R/W	R/W

Initial value : 00H

P5OD[6:0] Configure Open-drain of P5 Port  
 0 Push-pull output  
 1 Open-drain output

**P5FSR (Port 5 Function Selection Register) : EFH**

7	6	5	4	3	2	1	0
–	–	P5FSR5	P5FSR4	P5FSR3	P5FSR2	P5FSR1	P5FSR0
–	–	R/W	R/W	R/W	R/W	R/W	R/W

Initial value : 00H

- P5FSR5      P55 Function Select
  - 0      I/O Port
  - 1      TXD Function
- P5FSR4      P54 Function Select
  - 0      I/O Port
  - 1      AVREF Function
- P5FSR3      P53 Function Select
  - 0      I/O Port
  - 1      AN7 Function
- P5FSR2      P52 Function Select
  - 0      I/O Port
  - 1      AN6 Function
- P5FSR1      P51 Function Select
  - 0      I/O Port
  - 1      AN5 Function
- P5FSR0      P50 Function Select
  - 0      I/O Port
  - 1      AN4 Function

## 9.9 P6 Port

### 9.9.1 P6 Port Description

P6 is 5-bit I/O port. P6 control registers consist of P6 data register (P6), P6 direction register (P6IO), debounce enable register (P36DB), P6 pull-up resistor selection register (P6PU) and P6 open-drain selection register (P6OD). Refer to the port function selection registers for the P6 function selection.

### 9.9.2 Register description for P6

#### P6 (P6 Data Register) : C0H

7	6	5	4	3	2	1	0
–	–	–	P64	P63	P62	P61	P60
–	–	–	R/W	R/W	R/W	R/W	R/W

Initial value : 00H

P6[4:0] I/O Data

#### P6IO (P6 Direction Register) : D9H

7	6	5	4	3	2	1	0
–	–	–	P64IO	P63IO	P62IO	P61IO	P60IO
–	–	–	R/W	R/W	R/W	R/W	R/W

Initial value : 00H

P6IO[4:0] P6 Data I/O Direction

0 Input

1 Output

**NOTE)**

1. EINT10/EC0 function possible when input

#### P6PU (P6 Pull-up Resistor Selection Register) : E4H

7	6	5	4	3	2	1	0
–	–	–	P64PU	P63PU	P62PU	P61PU	P60PU
–	–	–	R/W	R/W	R/W	R/W	R/W

Initial value : 00H

P6PU[4:0] Configure Pull-up Resistor of P6 Port

0 Disable

1 Enable

#### P6OD (P6 Open-drain Selection Register) : DAH

7	6	5	4	3	2	1	0
–	–	–	P64OD	P63OD	P62OD	P61OD	P60OD
–	–	–	R/W	R/W	R/W	R/W	R/W

Initial value : 00H

P6OD[4:0] Configure Open-drain of P6 Port

0 Push-pull output

1 Open-drain output

**P6FSR (Port 6 Function Selection Register) : ECH**

7	6	5	4	3	2	1	0
–	–	–	–	P6FSR3	P6FSR2	P6FSR1	P6FSR0
–	–	–	–	R/W	R/W	R/W	R/W

Initial value : 00H

P6FSR3      P64 Function Select  
 0          I/O Port  
 1          VREG Function

**NOTE)**

1. This bit should be set to “1b” for VREG function on which sub oscillator is used

P6FSR2      P63 Function Select  
 0          I/O Port(EINT10 function possible when input)  
 1          TOO/PWM00 Function

P6FSR1      P61 Function Select  
 0          I/O Port  
 1          XOUT Function

P6FSR0      P60 Function Select  
 0          I/O Port  
 1          XIN Function

**NOTE)**

1. Refer to the configure option for the P62/RESETB.
2. The pull-up resistor of P60/P61 is automatically disabled regardless of P60PU/P61PU value if the P60/P61 is configured as an x-tal function (XIN/XOUT).
3. The P6FSR[1:0] bits won't be changed during the fXIN is selected as the system clock (fx).



## 9.10 P7 Port

### 9.10.1 P7 Port Description

P7 is 8-bit I/O port. P7 control registers consist of P7 data register (P7), P7 direction register (P7IO) and P7 pull-up resistor selection register (P7PU). Refer to the port function selection registers for the P7 function selection.

### 9.10.2 Register description for P7

#### P7 (P7 Data Register) : 92H

7	6	5	4	3	2	1	0
P77	P76	P75	P74	P73	P72	P71	P70
R/W	R/W	R/W	R/W	R/W	R/W	R/W	R/W

Initial value : 00H

P7[7:0] I/O Data

#### P7IO (P7 Direction Register) : E1H

7	6	5	4	3	2	1	0
P77IO	P76IO	P75IO	P74IO	P73IO	P72IO	P71IO	P70IO
R/W	R/W	R/W	R/W	R/W	R/W	R/W	R/W

Initial value : 00H

P7IO[7:0] P7 Data I/O Direction  
 0 Input  
 1 Output

#### P7PU (P7 Pull-up Resistor Selection Register) : E5H

7	6	5	4	3	2	1	0
P77PU	P76PU	P75PU	P74PU	P73PU	P72PU	P71PU	P70PU
R/W	R/W	R/W	R/W	R/W	R/W	R/W	R/W

Initial value : 00H

P7PU[7:0] Configure Pull-up Resistor of P7 Port  
 0 Disable  
 1 Enable

#### P7OD (P7 Open-drain Selection Register) : DBH

7	6	5	4	3	2	1	0
P77OD	P76OD	P75OD	P74OD	P73OD	P72OD	P71OD	P70OD
R/W	R/W	R/W	R/W	R/W	R/W	R/W	R/W

Initial value : 00H

P7OD[7:0] Configure Open-drain of P7 Port  
 0 Push-pull output  
 1 Open-drain output

**P7FSR (Port 7 Function Selection Register) : ACH**

7	6	5	4	3	2	1	0
P7FSR7	P7FSR6	P7FSR5	P7FSR4	P7FSR3	P7FSR2	P7FSR1	P7FSR0
R/W	R/W	R/W	R/W	R/W	R/W	R/W	R/W

Initial value : 00H

P7FSR7	P77 Function Select
0	I/O Port
1	COM1 Function
P7FSR6	P76 Function Select
0	I/O Port
1	COM0 Function
P7FSR5	P75 Function Select
0	I/O Port
1	CAPL Function
P7FSR4	P74 Function Select
0	I/O Port
1	CAPH Function
P7FSR3	P73 Function Select
0	I/O Port
1	VLC3 Function
P7FSR2	P72 Function Select
0	I/O Port
1	VLC2 Function
P7FSR1	P71 Function Select
0	I/O Port
1	VLC1 Function
P7FSR0	P70 Function Select
0	I/O Port
1	VLC0 Function

# 10 Interrupt Controller

## 10.1 Overview

The A96R739 supports up to 24 interrupt sources. The interrupts have separate enable register bits associated with them, allowing software control. They can also have four levels of priority assigned to them. The non-maskable interrupt source is always enabled with a higher priority than any other interrupt source and is not controllable by software. The interrupt controller has following features:

- Receive the request from 24 interrupt source
- 6 group priority
- 4 priority levels
- Multi Interrupt possibility
- If the requests of different priority levels are received simultaneously, the request of higher priority level is served first.
- Each interrupt source can be controlled by EA bit and each IEx bit
- Interrupt latency: 3~9 machine cycles in single interrupt system

The non-maskable interrupt is always enabled. The maskable interrupts are enabled through four pair of interrupt enable registers (IE, IE1, IE2, IE3). Each bit of IE, IE1, IE2, IE3 register individually enables/disables the corresponding interrupt source. Overall control is provided by bit 7 of IE (EA). When EA is set to '0', all interrupts are disabled: when EA is set to '1', interrupts are individually enabled or disabled through the other bits of the interrupt enable registers. The EA bit is always cleared to '0' jumping to an interrupt service vector and set to '1' executing the [RETI] instruction. The A96R739 supports a four-level priority scheme. Each maskable interrupt is individually assigned to one of four priority levels according to IP and IP1.

Table 10-1 shows the Interrupt Group Priority Level that is available for sharing interrupt priority. Priority of a group is set by two bits of interrupt priority registers (one bit from IP, another one from IP1). Interrupt service routine serves higher priority interrupt first. If two requests of different priority levels are received simultaneously, the request of higher priority level is served prior to the lower one.

Interrupt Group	Highest <span style="float: right;">Lowest</span>			
	→			
0 (Bit0)	Interrupt 0	Interrupt 6	Interrupt 12	Interrupt 18
1 (Bit1)	Interrupt 1	Interrupt 7	Interrupt 13	Interrupt 19
2 (Bit2)	Interrupt 2	Interrupt 8	Interrupt 14	Interrupt 20
3 (Bit3)	Interrupt 3	Interrupt 9	Interrupt 15	Interrupt 21
4 (Bit4)	Interrupt 4	Interrupt 10	Interrupt 16	Interrupt 22
5 (Bit5)	Interrupt 5	Interrupt 11	Interrupt 17	Interrupt 23

↓ Highest  
Lowest

**Table 29 Interrupt Group Priority Level**

## 10.2 External Interrupt

The external interrupt on INT1, INT2, INT3, and INT5 pins receive various interrupt request depending on the external interrupt polarity 0 register (EIPOL0), external interrupt polarity 1 high register (EIPOL1H), and external interrupt polarity 1 low register (EIPOL1L) as shown in Figure 10.1. Also each external interrupt source has control enable/disable bits. The external interrupt flag 0 register (EIFLAG0) and external interrupt flag 1 register (EIFLAG1) provides the status of external interrupts.

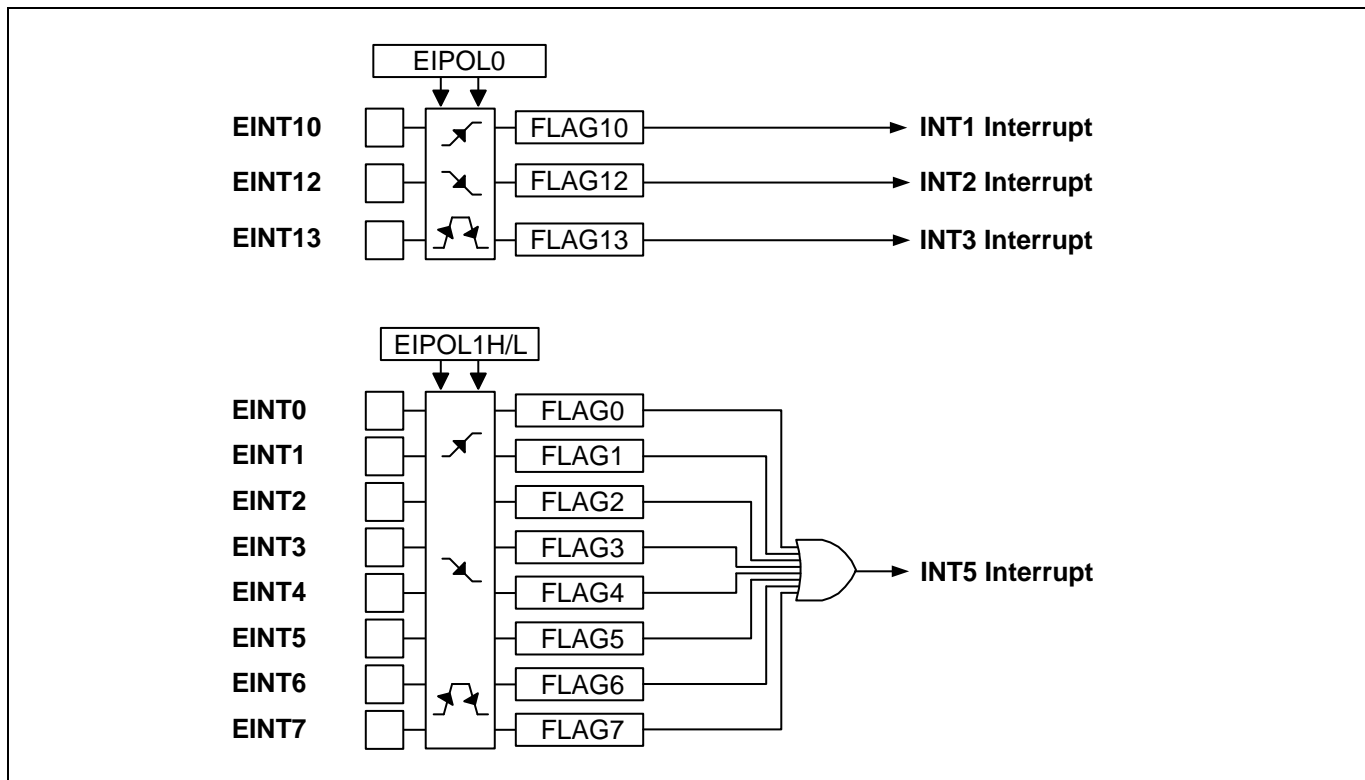


Figure 44 External Interrupt Description

### 10.3 Block Diagram

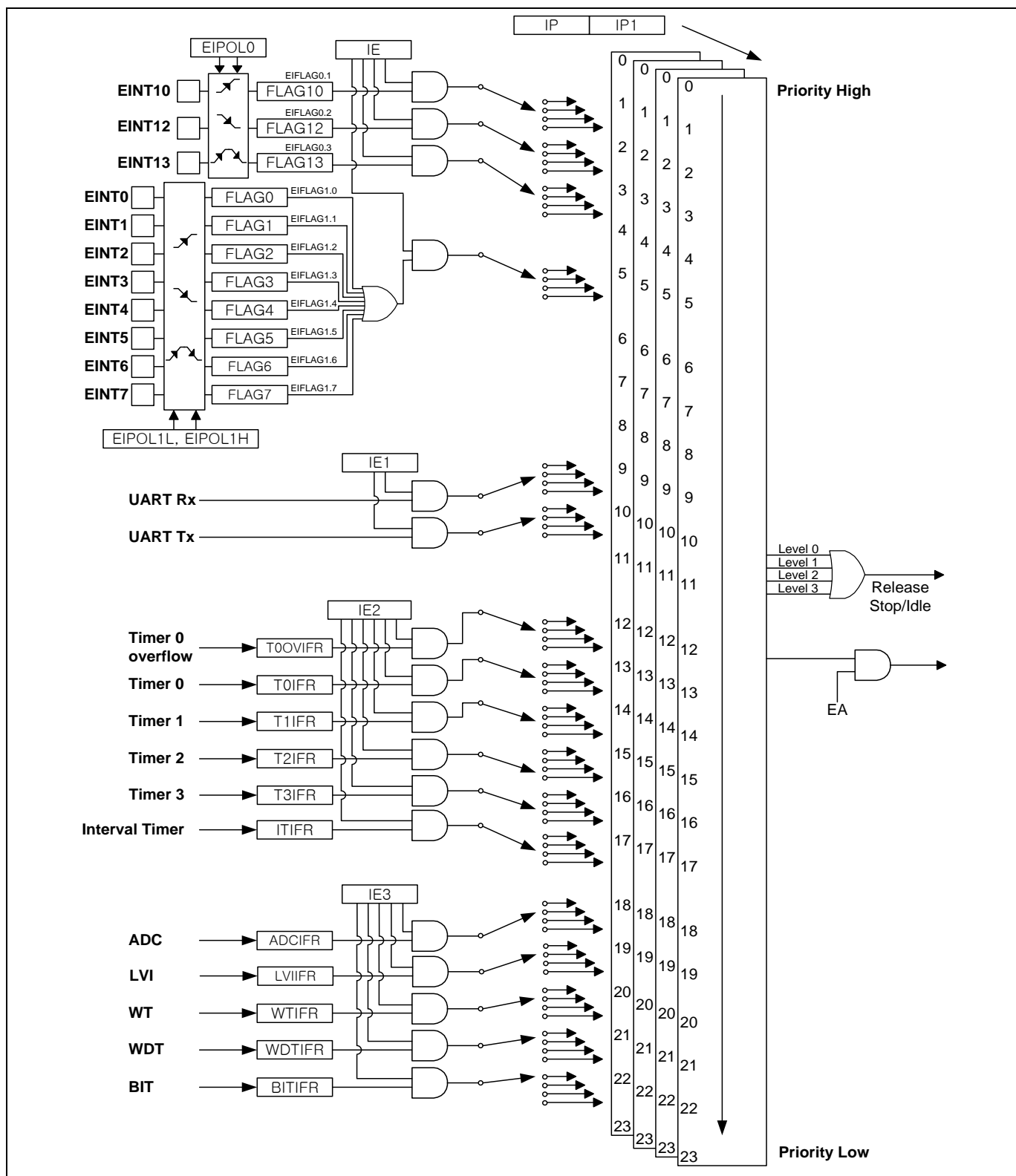


Figure 45 Block Diagram of Interrupt

NOTE)

1. The release signal for stop/idle mode may be generated by all interrupt sources which are enabled without reference to the priority level.
2. An interrupt request is delayed while data are written to IE, IE1, IE2, IE3, IP, IP1 and PCON register.

## 10.4 Interrupt Vector Table

The interrupt controller supports 24 interrupt sources as shown in the Table 10.2. When interrupt is served, long call instruction (LCALL) is executed and program counter jumps to the vector address. All interrupt requests have their own priority order.

Interrupt Source	Symbol	Interrupt Enable Bit	Priority	Mask	Vector Address
Hardware RESET	RESETB	0 0	0	Non-Maskable	0000H
–	INT0	IE.0	1	Maskable	0003H
External Interrupt 10	INT1	IE.1	2	Maskable	000BH
External Interrupt 12	INT2	IE.2	3	Maskable	0013H
External Interrupt 13 or f <sub>LFIRC</sub>	INT3	IE.3	4	Maskable	001BH
–	INT4	IE.4	5	Maskable	0023H
External Interrupt 0 – 7	INT5	IE.5	6	Maskable	002BH
–	INT6	IE1.0	7	Maskable	0033H
–	INT7	IE1.1	8	Maskable	003BH
–	INT8	IE1.2	9	Maskable	0043H
UART Rx Interrupt	INT9	IE1.3	10	Maskable	004BH
UART Tx Interrupt	INT10	IE1.4	11	Maskable	0053H
–	INT11	IE1.5	12	Maskable	005BH
T0 Overflow Interrupt	INT12	IE2.0	13	Maskable	0063H
T0 Match Interrupt	INT13	IE2.1	14	Maskable	006BH
T1 Match Interrupt	INT14	IE2.2	15	Maskable	0073H
T2 Match Interrupt	INT15	IE2.3	16	Maskable	007BH
T3 Match Interrupt	INT16	IE2.4	17	Maskable	0083H
Interval Timer Match Interrupt	INT17	IE2.5	18	Maskable	008BH
ADC Interrupt	INT18	IE3.0	19	Maskable	0093H
LVI Interrupt	INT19	IE3.1	20	Maskable	009BH
WT Interrupt	INT20	IE3.2	21	Maskable	00A3H
WDT Interrupt	INT21	IE3.3	22	Maskable	00ABH
BIT Interrupt	INT22	IE3.4	23	Maskable	00B3H
–	INT23	IE3.5	24	Maskable	00BBH

**Table 30 Interrupt Vector Address Table**

For maskable interrupt execution, EA bit must set '1' and specific interrupt must be enabled by writing '1' to associated bit in the IEx. If an interrupt request is received, the specific interrupt request flag is set to '1'. And it remains '1' until CPU accepts interrupt. If the interrupt is served, the interrupt request flag will be cleared automatically.

## 10.5 Interrupt Sequence

An interrupt request is held until the interrupt is accepted or the interrupt latch is cleared to '0' by a reset or an instruction. Interrupt acceptance always generates at last cycle of the instruction. So instead of fetching the current instruction, CPU executes internally LCALL instruction and saves the PC at stack. For the interrupt service routine, the interrupt controller gives the address of LJMP instruction to CPU. Since the end of the execution of current instruction, it needs 3~9 machine cycles to go to the interrupt service routine. The interrupt service task is terminated by the interrupt return instruction [RETI]. Once an interrupt request is generated, the following process is performed.

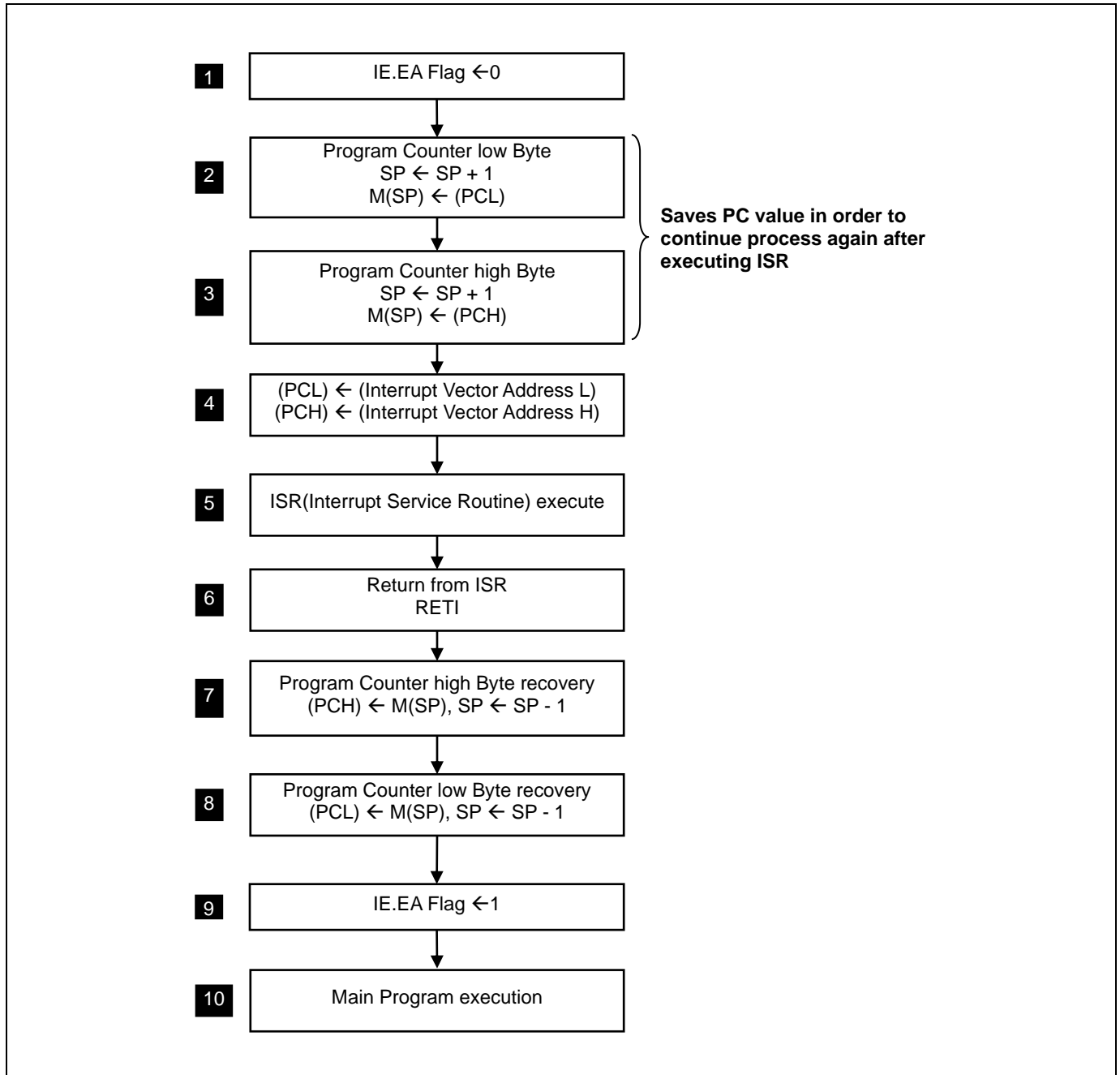
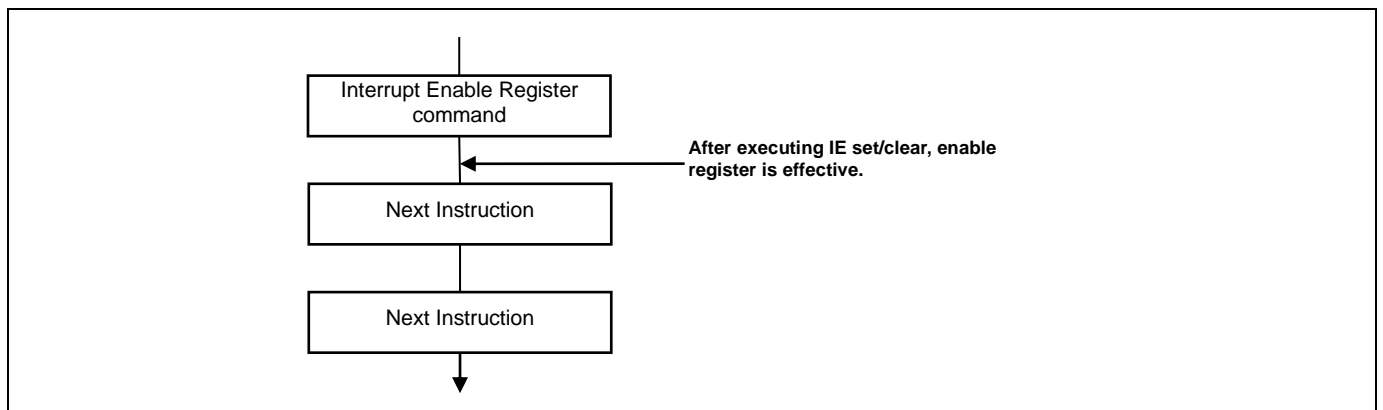


Figure 46 Interrupt Sequence Flow

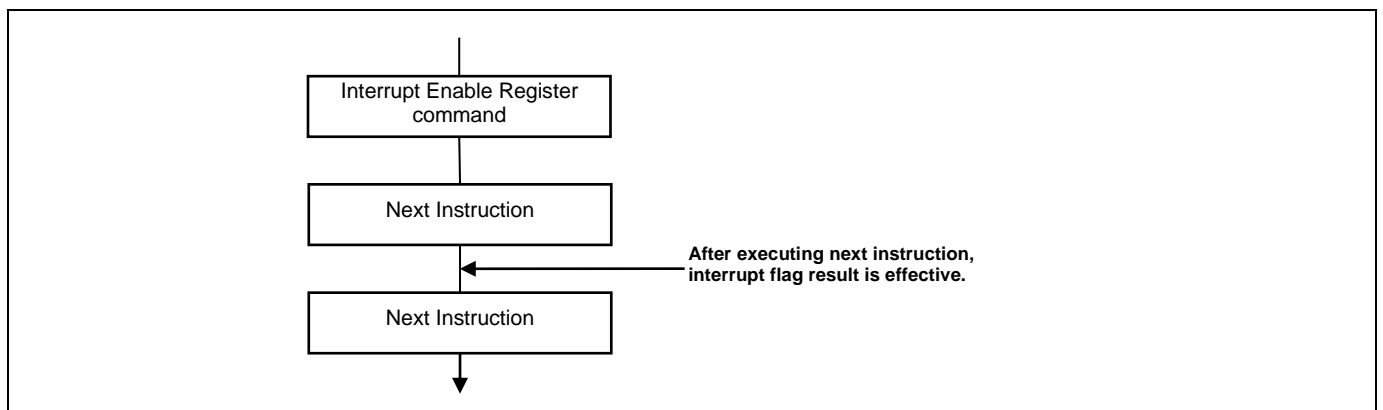
## 10.6 Effective Timing after Controlling Interrupt Bit

Case a) Control Interrupt Enable Register (IE, IE1, IE2, IE3)



**Figure 47 Effective Timing of Interrupt Enable Register**

Case b) Interrupt flag Register

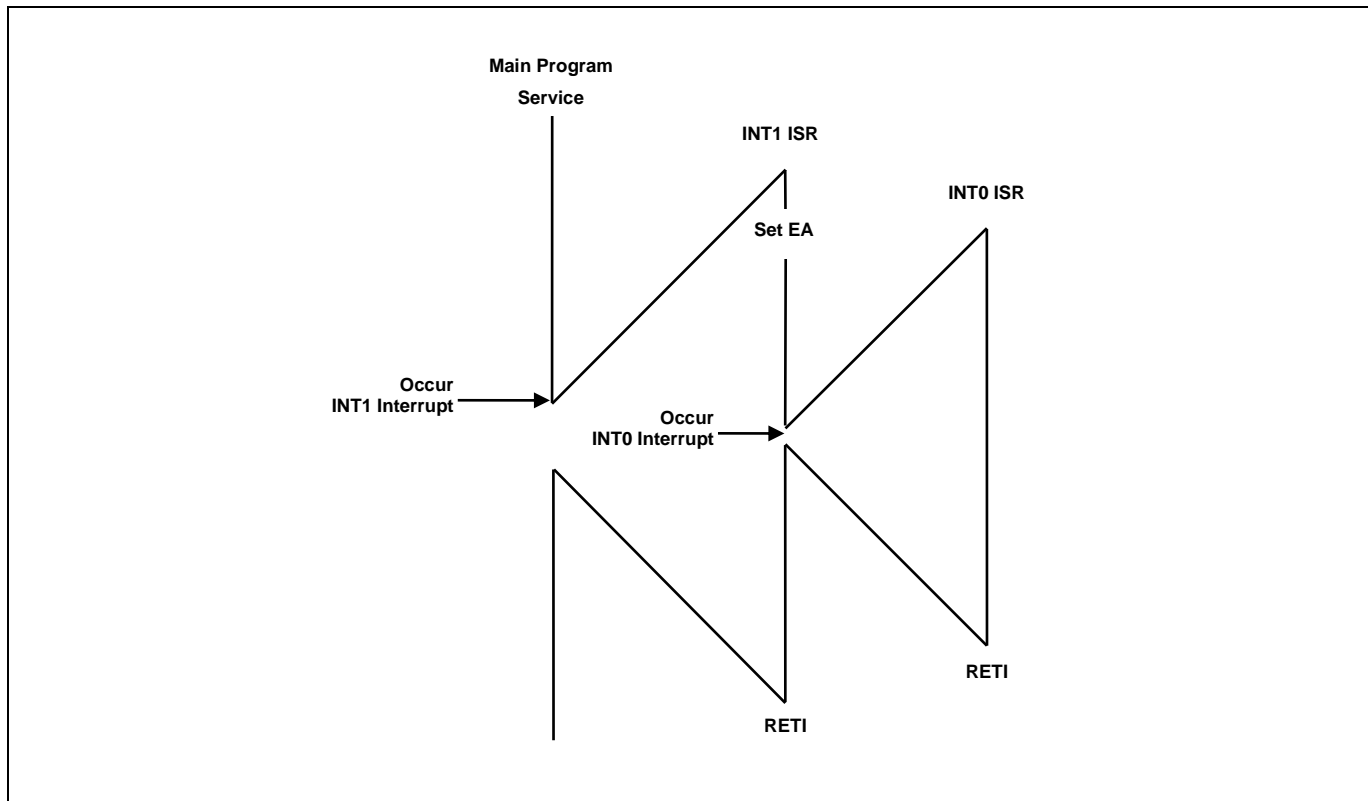


**Figure 48 Effective Timing of Interrupt Flag Register**



### 10.7 Multi Interrupt

If two requests of different priority levels are received simultaneously, the request of higher priority level is served first. If more than one interrupt request are received, the interrupt polling sequence determines which request is served first by hardware. However, for special features, multi-interrupt processing can be executed by software.



**Figure 49 Effective Timing of Multi-Interrupt**

Figure 10.6 shows an example of multi-interrupt processing. While INT1 is served, INT0 which has higher priority than INT1 is occurred. Then INT0 is served immediately and then the remain part of INT1 service routine is executed. If the priority level of INT0 is same or lower than INT1, INT0 will be served after the INT1 service has completed.

An interrupt service routine may be only interrupted by an interrupt of higher priority and, if two interrupts of different priority occur at the same time, the higher level interrupt will be served first. An interrupt cannot be interrupted by another interrupt of the same or a lower priority level. If two interrupts of the same priority level occur simultaneously, the service order for those interrupts is determined by the scan order.

### 10.8 Interrupt Enable Accept Timing

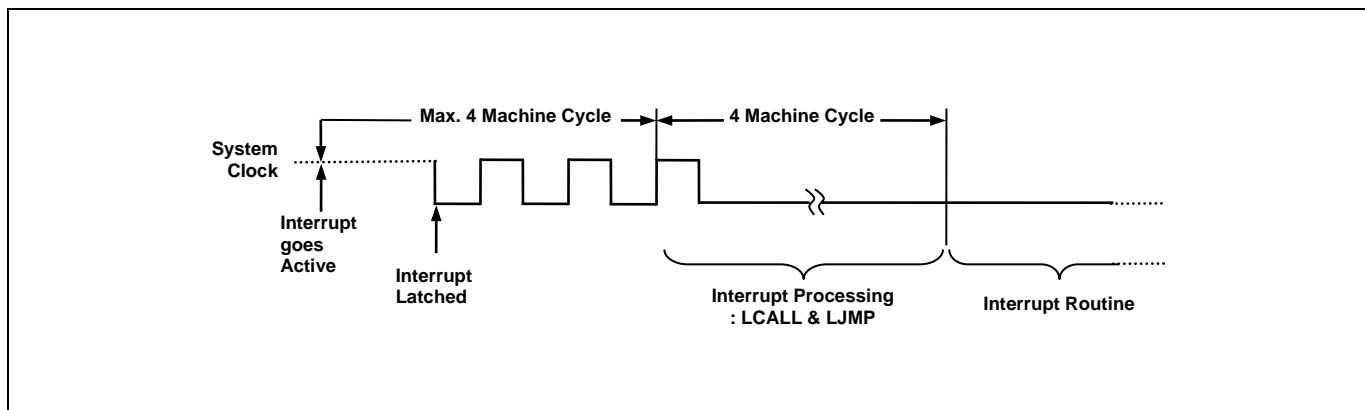


Figure 50 Interrupt Response Timing Diagram

### 10.9 Interrupt Service Routine Address

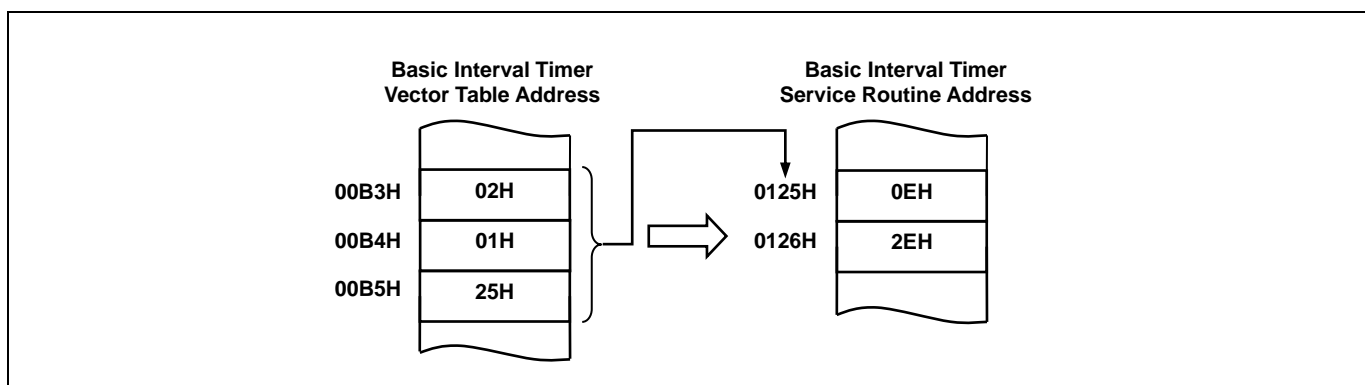


Figure 51 Correspondence between Vector Table Address and the Entry Address of ISR

### 10.10 Saving/Restore General-Purpose Registers

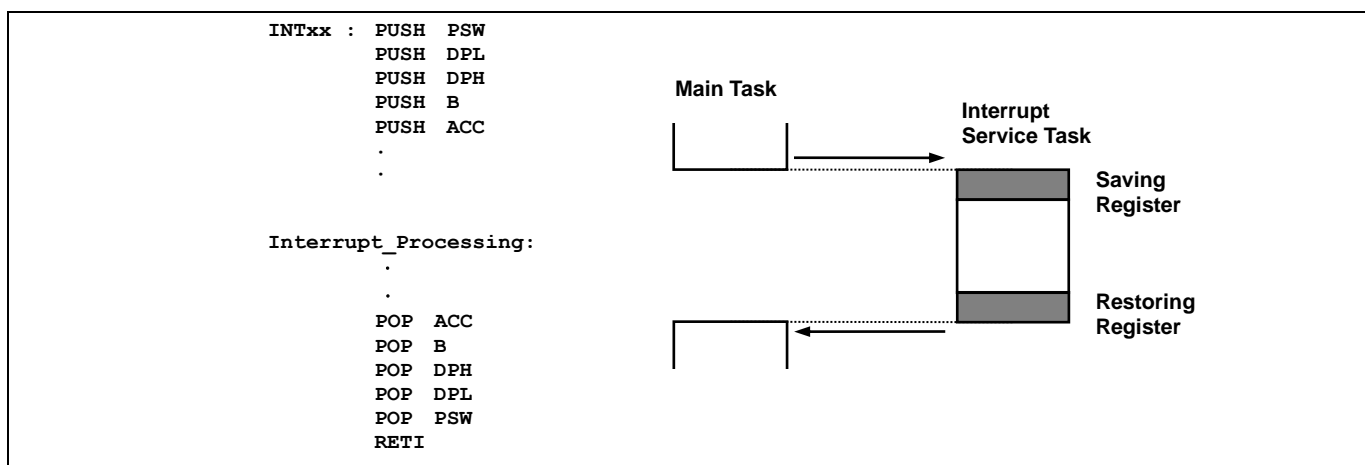
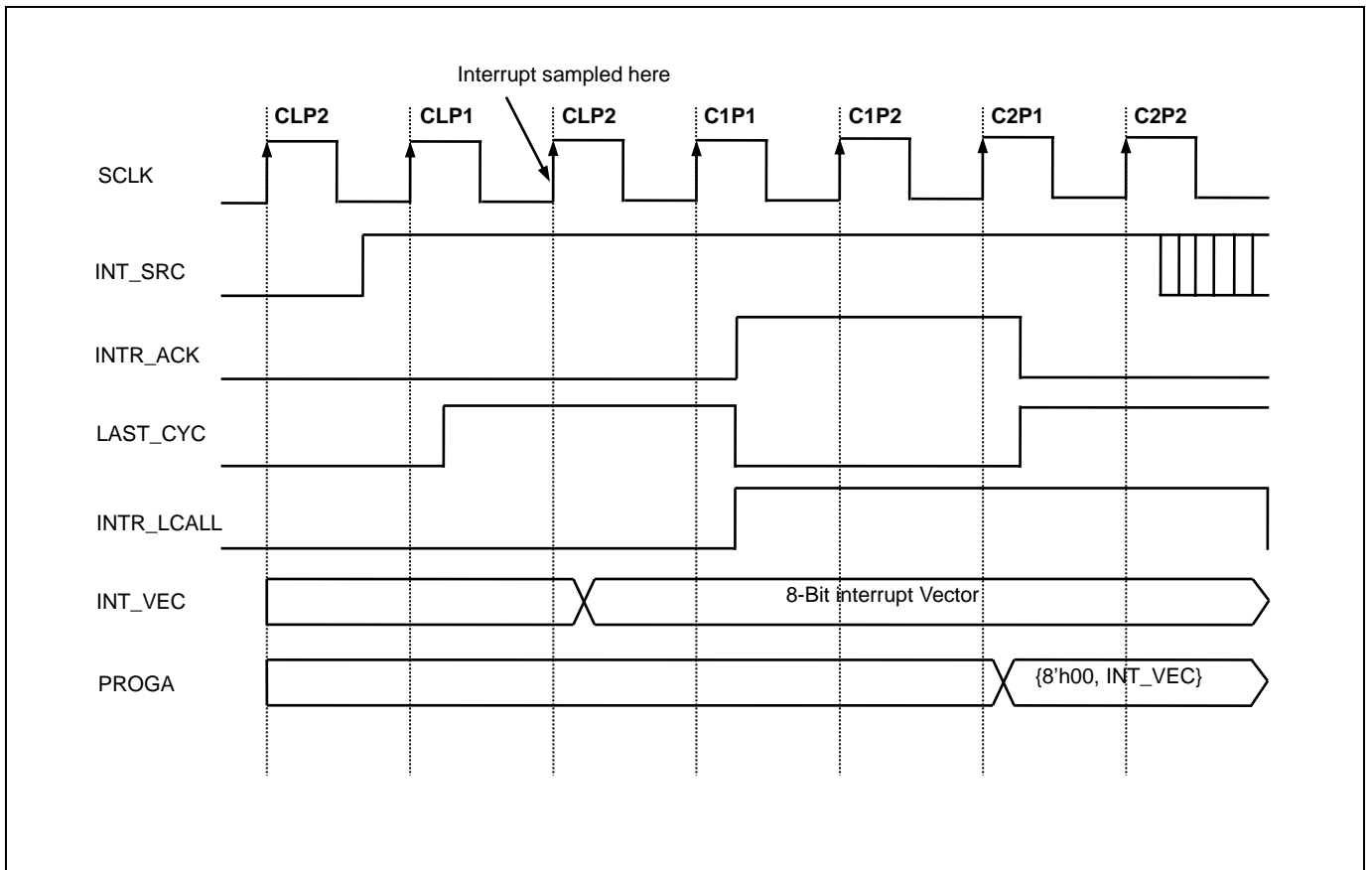


Figure 52 Saving/Restore Process Diagram and Sample Source

### 10.11 Interrupt Timing



**Figure 53 Timing Chart of Interrupt Acceptance and Interrupt Return Instruction**

Interrupt sources are sampled at the last cycle of a command. If an interrupt source is detected the lower 8-bit of interrupt vector (INT\_VEC) is decided. M8051W core makes interrupt acknowledge at the first cycle of a command and executes long call to jump to interrupt service routine.

**NOTE)**

1. command cycle CLPx: L=Last cycle, 1=1<sup>st</sup> cycle or 1<sup>st</sup> phase, 2=2<sup>nd</sup> cycle or 2<sup>nd</sup> phase

## 10.12 Interrupt Register Overview

### 10.12.1 Interrupt Enable Register (IE, IE1, IE2, IE3)

Interrupt enable register consists of global interrupt control bit (EA) and peripheral interrupt control bits. Total 24 peripherals are able to control interrupt.

### 10.12.2 Interrupt Priority Register (IP, IP1)

The 24 interrupts are divided into 6 groups which have each 4 interrupt sources. A group can be assigned 4 levels interrupt priority using interrupt priority register. Level 3 is the highest priority, while level 0 is the lowest priority. After a reset IP and IP1 are cleared to '00H'. If interrupts have the same priority level, lower number interrupt is served first.

### 10.12.3 External Interrupt Flag Register (EIFLAG0, EIFLAG1)

The external interrupt flag 0 register (EIFLAG0) and external interrupt flag 1 register (EIFLAG1) are set to '1' when the external interrupt generating condition is satisfied. The flag is cleared when the interrupt service routine is executed. Alternatively, the flag can be cleared by writing a '0' to it.

### 10.12.4 External Interrupt Polarity Register (EIPOL0, EIPOL1H, EIPOL1L)

The external interrupt polarity 0 register (EIPOL0), external interrupt polarity 1 high register (EIPOL1H) and external interrupt polarity 1 low register (EIPOL1L) determines which type of rising/falling/both edge interrupt. Initially, default value is no interrupt at any edge.

### 10.12.5 Register Map

Name	Address	Dir	Default	Description
IE	A8H	R/W	00H	Interrupt Enable Register
IE1	A9H	R/W	00H	Interrupt Enable Register 1
IE2	AAH	R/W	00H	Interrupt Enable Register 2
IE3	ABH	R/W	00H	Interrupt Enable Register 3
IP	B8H	R/W	00H	Interrupt Priority Register
IP1	F8H	R/W	00H	Interrupt Priority Register 1
EIFLAG0	A3H	R/W	00H	External Interrupt Flag 0 Register
EIPOL0	A4H	R/W	00H	External Interrupt Polarity 0 Register
EIFLAG1	A5H	R/W	00H	External Interrupt Flag 1 Register
EIPOL1L	A6H	R/W	00H	External Interrupt Polarity 1 Low Register
EIPOL1H	A7H	R/W	00H	External Interrupt Polarity 1 High Register

**Table 31** Interrupt Register Map

### 10.12.6 Interrupt Register Description

The interrupt register is used for controlling interrupt functions. Also it has external interrupt control registers. The interrupt register consists of interrupt enable register (IE), interrupt enable register 1 (IE1), interrupt enable register 2 (IE2) and interrupt enable register 3 (IE3). For external interrupt, it consists of external interrupt flag 0 register (EIFLAG0), external interrupt polarity 0 register (EIPOL0), external interrupt flag 1 register (EIFLAG1), external interrupt polarity 1 low register (EIPOL1L) and external interrupt polarity 1 high register (EIPOL1H).

### 10.12.7 Register Description for Interrupt

#### IE (Interrupt Enable Register) : A8H

7	6	5	4	3	2	1	0
EA	–	INT5E	–	INT3E	INT2E	INT1E	–
R/W	–	R/W	–	R/W	R/W	R/W	–

Initial value : 00H

EA	Enable or Disable All Interrupt bits
0	All Interrupt disable
1	All Interrupt enable
INT5E	Enable or Disable External Interrupt 0 ~ 7 (EINT0 ~ EINT7)
0	Disable
1	Enable
INT3E	Enable or Disable External interrupt 13 (EINT13 or f <sub>LFIRC</sub> )
0	Disable
1	Enable
INT2E	Enable or Disable External interrupt 12 (EINT12)
0	Disable
1	Enable
INT1E	Enable or Disable External interrupt 10 (EINT10)
0	Disable
1	Enable

**IE1 (Interrupt Enable Register 1): A9H**

7	6	5	4	3	2	1	0
–	–	–	INT10E	INT9E	–	–	–
–	–	–	R/W	R/W	–	–	–

Initial value: 00H

- INT10E      Enable or Disable UART Tx interrupt
  - 0      Disable
  - 1      Enable
- INT9E      Enable or Disable UART Rx interrupt
  - 0      Disable
  - 1      Enable

**IE2 (Interrupt Enable Register 2) : AAH**

7	6	5	4	3	2	1	0
–	–	INT17E	INT16E	INT15E	INT14E	INT13E	INT12E
–	–	R/W	R/W	R/W	R/W	R/W	R/W

Initial value : 00H

- INT17E      Enable or Disable Interval Timer match interrupt
  - 0      Disable
  - 1      Enable
- INT16E      Enable or Disable Timer 3 match interrupt
  - 0      Disable
  - 1      Enable
- INT15E      Enable or Disable Timer 2 match interrupt
  - 0      Disable
  - 1      Enable
- INT14E      Enable or Disable Timer 1 match interrupt
  - 0      Disable
  - 1      Enable
- INT13E      Enable or Disable Timer 0 match interrupt
  - 0      Disable
  - 1      Enable
- INT12E      Enable or Disable Timer 0 overflow interrupt
  - 0      Disable
  - 1      Enable

## IE3 (Interrupt Enable Register 3) : ABH

7	6	5	4	3	2	1	0
–	–	–	INT22E	INT21E	INT20E	INT19E	INT18E
–	–	–	R/W	R/W	R/W	R/W	R/W

Initial value : 00H

INT22E	Enable or Disable BIT Interrupt
0	Disable
1	Enable
INT21E	Enable or Disable WDT Interrupt
0	Disable
1	Enable
INT20E	Enable or Disable WT Interrupt
0	Disable
1	Enable
INT19E	Enable or Disable LVI Interrupt
0	Disable
1	Enable
INT18E	Enable or Disable ADC Interrupt
0	Disable
1	Enable

**IP (Interrupt Priority Register) : B8H**

7	6	5	4	3	2	1	0
–	–	IP5	IP4	IP3	IP2	IP1	IP0
–	–	R/W	R/W	R/W	R/W	R/W	R/W

Initial value : 00H

**IP1 (Interrupt Priority Register 1) : F8H**

7	6	5	4	3	2	1	0
–	–	IP15	IP14	IP13	IP12	IP11	IP10
–	–	R/W	R/W	R/W	R/W	R/W	R/W

Initial value : 00H

IP[5:0], IP1[5:0] Select Interrupt Group Priority

IP1x	IPx	Description
0	0	level 0 (lowest)
0	1	level 1
1	0	level 2
1	1	level 3 (highest)



**EIFLAG0 (External Interrupt Flag 0 Register) : A3H**

7	6	5	4	3	2	1	0
T0OVIFR	T0IFR	–	–	–	FLAG13	FLAG12	FLAG10
R/W	R/W	–	–	–	R/W	R/W	R/W

Initial value : 00H

- T0OVIFR      When T0 overflow interrupt occurs, this bit becomes '1'. For clearing bit, write '0' to this bit or auto clear by INT\_ACK signal. Writing "1" has no effect.
  - 0      T0 overflow interrupt no generation
  - 1      T0 overflow interrupt generation
- T0IFR      When T0 match interrupt occurs, this bit becomes '1'. For clearing bit, write '0' to this bit or auto clear by INT\_ACK signal. Writing "1" has no effect.
  - 0      T0 interrupt no generation
  - 1      T0 interrupt generation
- EIFLAG0[2:0]      When an external interrupt is occurred, the flag becomes '1'. The FLAG10/FLAG12/FLAG13 or f<sub>LFIRC</sub> flags are cleared by writing '0' to the bit or automatically cleared by INT\_ACK signal. Writing "1" has no effect.
  - 0      External Interrupt not occurred
  - 1      External Interrupt occurred

**NOTE)**

1. Refer to the 16-bit Timer 3 Block Diagram

**EIPOL0 (External Interrupt Polarity 0 Register): A4H**

7	6	5	4	3	2	1	0
–	–	POL13		POL12		POL10	
–	–	R/W	R/W	R/W	R/W	R/W	R/W

Initial value: 00H

- EIPOL0[5:0]      External interrupt (EINT10, EINT12, EINT13 or f<sub>LFIRC</sub>) polarity selection
 

POLn[1:0]	Description
0      0	No interrupt at any edge
0      1	Interrupt on rising edge
1      0	Interrupt on falling edge
1      1	Interrupt on falling/rising edge

**NOTE)**

1. Where n = 10, 12 and 13.
2. Refer to the 16-bit Timer 3 Block Diagram.

**EIFLAG1 (External Interrupt Flag 1 Register) : A5H**

7	6	5	4	3	2	1	0
FLAG7	FLAG6	FLAG5	FLAG4	FLAG3	FLAG2	FLAG1	FLAG0
R/W	R/W	R/W	R/W	R/W	R/W	R/W	R/W

Initial value : 00H

EIFLAG1[7:0] When an External Interrupt is occurred, the flag becomes '1'. The flag is cleared only by writing '0' to the bit. So, the flag should be cleared by software. Writing "1" has no effect.

- 0 External Interrupt not occurred
- 1 External Interrupt occurred

**EIPOL1H (External Interrupt Polarity 1 High Register) : A7H**

7	6	5	4	3	2	1	0
POL7		POL6		POL5		POL4	
R/W	R/W	R/W	R/W	R/W	R/W	R/W	R/W

Initial value : 00H

EIPOL1H[7:0] External Interrupt (EINT4, EINT5, EINT6, EINT7) polarity selection

- POLn[1:0] Description
- 0 0 No interrupt at any edge
  - 0 1 Interrupt on rising edge
  - 1 0 Interrupt on falling edge
  - 1 1 Interrupt on falling/rising edge

**NOTE)**

1. Where n = 4,5,6 and 7.

**EIPOL1L (External Interrupt Polarity 1 Low Register) : A6H**

7	6	5	4	3	2	1	0
POL3		POL2		POL1		POL0	
RW	RW	RW	RW	RW	RW	RW	RW

Initial value : 00H

EIPOL1L[7:0] External Interrupt (EINT0, EINT1, EINT2, EINT3) polarity selection

- POLn[1:0] Description
- 0 0 No interrupt at any edge
  - 0 1 Interrupt on rising edge
  - 1 0 Interrupt on falling edge
  - 1 1 Interrupt on falling/rising edge

**NOTE)**

1. Where n = 0,1,2 and 3.

# 11 Peripheral Hardware

## 11.1 Clock Generator

### 11.1.1 Overview

As shown in Figure 11.1, the clock generator produces the basic clock pulses which provide the system clock to be supplied to the CPU and the peripheral hardware. It contains main/sub-frequency clock oscillator. The main/sub clock operation can be easily obtained by attaching a crystal between the XIN/SXIN and XOUT/SXOUT pin, respectively. The main/sub clock can be also obtained from the external oscillator. In this case, it is necessary to put the external clock signal into the XIN/SXIN pin and open the XOUT/SXOUT pin. The default system clock is 1MHz HFIRC Oscillator and the default division rate is 8. In order to stabilize system internally, it is used 1MHz HFIRC oscillator on POR.

- Calibrated High Frequency Internal RC Oscillator (8MHz)
  - HFIRC OSC/1 (8MHz)
  - HFIRC OSC/2 (4MHz)
  - HFIRC OSC/4 (2MHz)
  - HFIRC OSC/8 (1MHz, Default system clock)
  - HFIRC OSC/16 (0.5MHz)
- Main Crystal Oscillator (0.4~12MHz)
- Sub Crystal Oscillator (32.768kHz)
- Low Frequency Internal RC Oscillator (4kHz, 8kHz, 16kHz, 32kHz)
- Internal WDTRC Oscillator (5 kHz)

11.1.2 Block Diagram

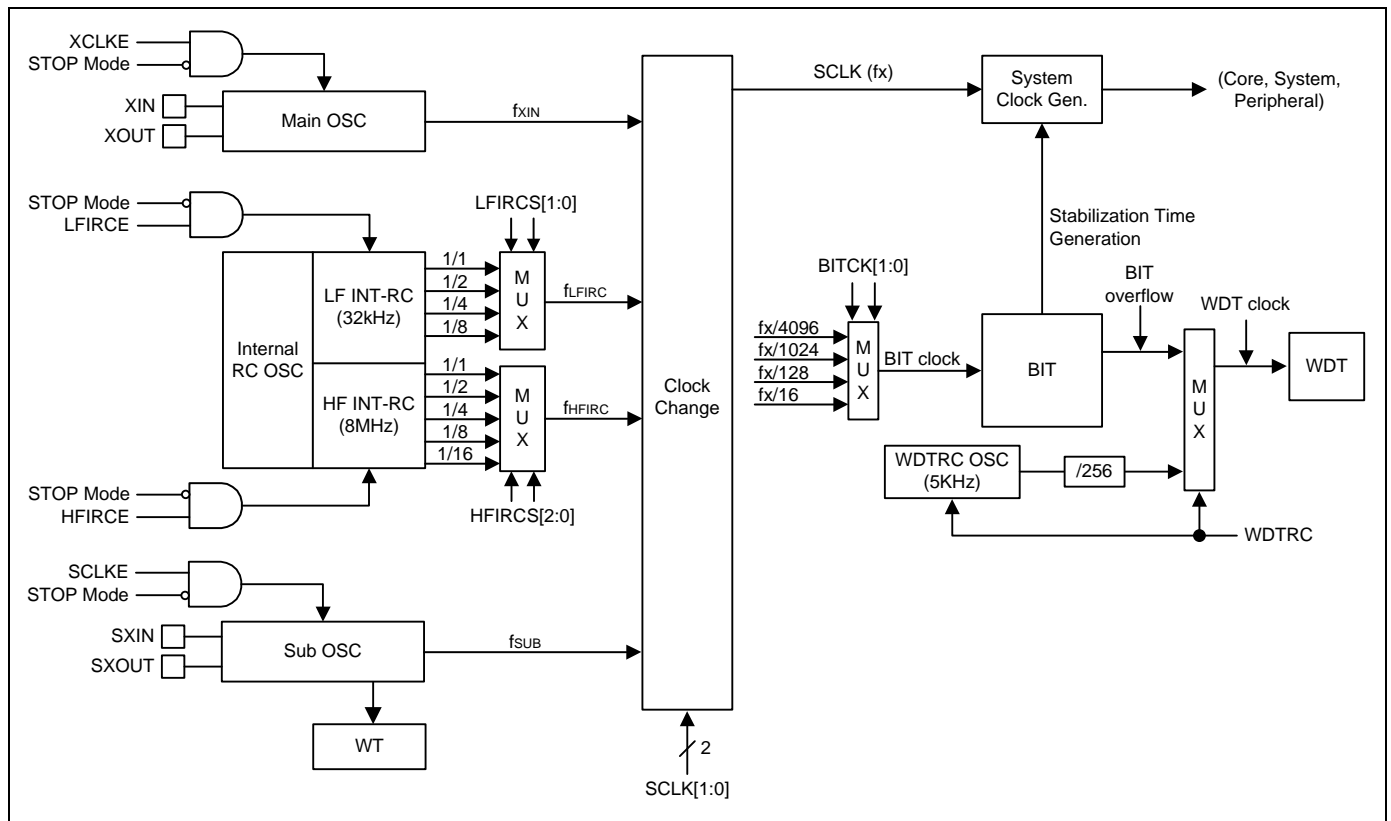


Figure 54 Clock Generator Block Diagram

### 11.1.3 Register Map

Name	Address	Direction	Default	Description
SCCR	8AH	R/W	00H	System and Clock Control Register
OSCCR	C8H	R/W	08H	Oscillator Control Register
XTFLSR	B7H	R/W	00H	X-tal Filter Selection Register
LIFSR	BFH	R/W	00H	LFIRC Frequency Selection Register
IRCTCR	91H	R/W	00H	Internal RC Trim Control Register
IRCTRM	93H	R/W	xxH	Internal RC Trim Register
IRCIDR	F1H	R/W	00H	Internal RC Identification Register

**Table 32 Clock Generator Register Map**

### 11.1.4 Clock Generator Register Description

The clock generator register uses clock control for system operation. The clock generation consists of system and clock control register, oscillator control register, X-tal filter selection register, and LFIRC frequency selection register, internal RC trim control register, internal RC trim register, and internal RC identification register.

11.1.5 Register Description for Clock Generator

SCCR (System and Clock Control Register) : 8AH

7	6	5	4	3	2	1	0
-	-	-	-	-	-	SCLK1	SCLK0
-	-	-	-	-	-	R/W	R/W

Initial value : 00H

SCLK [1:0]	System Clock Selection Bit		
	SCLK1	SCLK0	Description
	0	0	HF INT-RC OSC ( $f_{HFIRC}$ ) for system clock
	0	1	External Main OSC ( $f_{XIN}$ ) for system clock
	1	0	External Sub OSC ( $f_{SUB}$ ) for system clock
	1	1	LF INT-RC OSC ( $f_{LFIRC}$ ) for system clock

**NOTE)**

1. If a target system clock is disabled by the OSCCR register, the SCCR register won't be changed in case of selecting the corresponding clock as a system clock.
2. The  $f_{XIN}$  clock can't be selected for the system clock if the pull-up resistor of P60/P61 is enabled.

**XTFLSR (X-tal Filter Selection Register) : B7H**

7	6	5	4	3	2	1	0
WTP4	WTP3	WTP2	WTP1	WTP0	XRNS2	XRNS1	XRNS0
W	W	W	W	W	R/W	R/W	R/W

Initial value : 00H

WTP[4:0] Write Identification bits. These bits are automatically cleared to "00000b" immediately after XTFLSR write. 0x00 on read  
 10101b Write 0x15 to these bits with valid XRNS[2:0]  
 Other values Write is ignored.

XRNS[2:0] External Main Oscillator Range selection. This bit is effective only when the fXIN is selected for system clock.

XRNS2	XRNS1	XRNS0	Description
0	0	0	10.5MHz < x-tal ≤ 12MHz
0	0	1	8.5MHz < x-tal ≤ 10.5MHz
0	1	0	6.5MHz < x-tal ≤ 8.5MHz
0	1	1	4.5MHz < x-tal ≤ 6.5MHz
1	0	0	x-tal ≤ 4.5MHz
Other value			Not used

**NOTE)**

1. The External Main Oscillator Range(XRNS[2:0]) should be changed while the system clock is selected as f<sub>HFIRC</sub>.

**OSCCR (Oscillator Control Register) : C8H**

7	6	5	4	3	2	1	0
LFIRCE	–	HFIRCS2	HFIRCS1	HFIRCS0	HFIRCE	XCLKE	SCLKE
R/W	–	R/W	R/W	R/W	R/W	R/W	R/W

Initial value : 08H

LFIRCE	Control the Operation of the Low Frequency Internal RC Oscillator 0 Disable operation of LFIRC OSC 1 Enable operation of LFIRC OSC
HFIRCS[2:0]	HFIRC Oscillator Post-divider Selection HFIRCS2 HFIRCS1 HFIRCS0 Description 0 0 0 $f_{HFIRC}/16$ (0.5MHz) 0 0 1 $f_{HFIRC}/8$ (1MHz) 0 1 0 $f_{HFIRC}/4$ (2MHz) 0 1 1 $f_{HFIRC}/2$ (4MHz) 1 0 0 $f_{HFIRC}/1$ (8MHz) Other values Not used
HFIRCE	Control the Operation of the High Frequency Internal RC Oscillator 0 Enable operation of HFIRC OSC 1 Disable operation of HFIRC OSC
XCLKE	Control the Operation of the External Main Oscillator 0 Disable operation of X-TAL 1 Enable operation of X-TAL
SCLKE	Control the Operation of the External Sub Oscillator 0 Disable operation of SX-TAL 1 Enable operation of SX-TAL

**NOTE)**

- The system clock is not disabled by the corresponding bit of the OSCCR register.  
Ex) The high frequency internal RC oscillator won't be disabled by the HFIRCE bit during the  $f_{HFIRC}$  is selected as the system clock.



**LIFSR(LFIRC Frequency Selection Register) : BFH**

7	6	5	4	3	2	1	0
LIWTP4	LIWTP3	LIWTP2	LIWTP1	LIWTP0	–	LFIRCS1	LFIRCS0
W	W	W	W	W	–	R/W	R/W

Initial value : 00H

LIWTP[4:0] Write Identification bits. These bits are automatically cleared to “00000b” immediately after LIFSR write. 0x00 on read.

10110b Write 0x16 to these bits with valid LFIRCS[1:0]

Other values Write is ignored.

LFIRCS[1:0] LFIRC oscillator post-divider selection

LFIRCS1	LFIRCS0	Description
0	0	$f_{LFIRC}/8$ (4kHz)
0	0	$f_{LFIRC}/4$ (8kHz)
0	1	$f_{LFIRC}/2$ (16kHz)
1	1	$f_{LFIRC}/1$ (32kHz)

**IRCIDR (Internal RC Trim Identification Register) : F1H**

.7	.6	.5	.4	.3	.2	.1	.0
IRCID7	IRCID6	IRCID5	IRCID4	IRCID3	IRCID2	IRCID1	IRCID0
R/W	R/W	R/W	R/W	R/W	R/W	R/W	R/W

Initial value: 00H

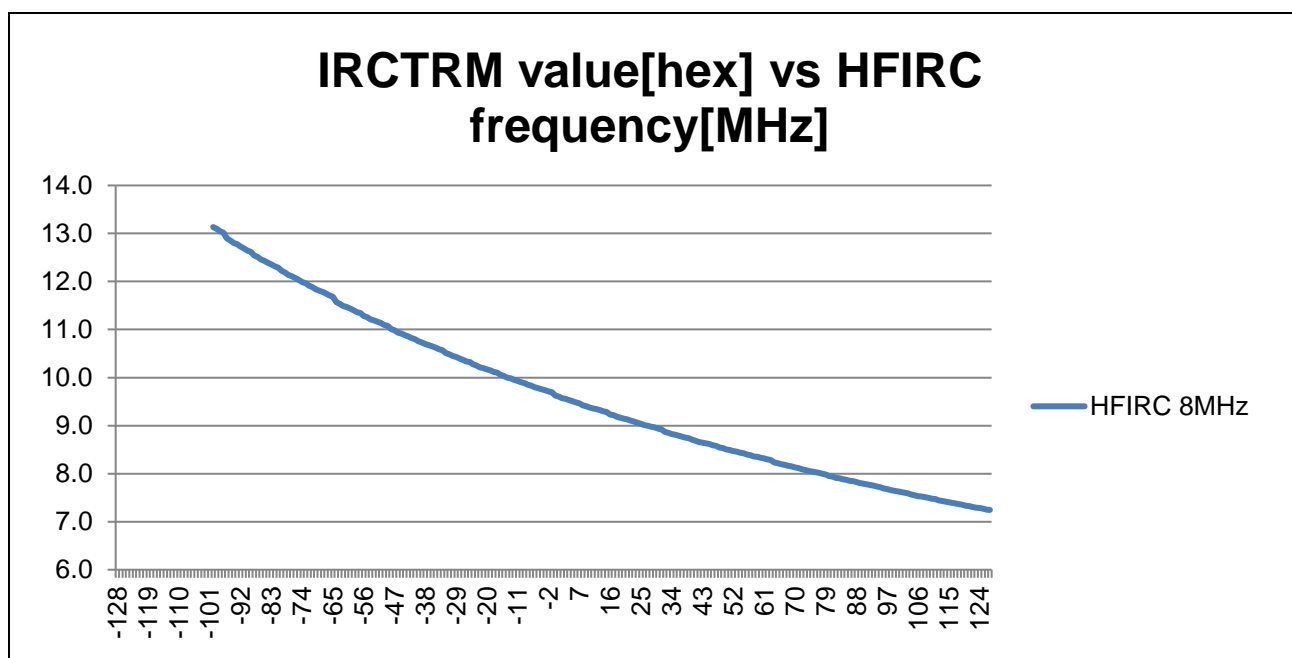
**IRCID[7:0]** Internal RC Trim Identification  
 Others No identification value  
 01000110 Identification value for IRC Trim  
 (These bits are automatically cleared to logic '00H' immediately after one time operation)

**IRCTRM (Internal RC Trim Register) : 93H**

.7	.6	.5	.4	.3	.2	.1	.0
ITRM7	ITRM6	ITRM5	ITRM4	ITRM3	ITRM2	ITRM1	ITRM0
R/W	R/W	R/W	R/W	R/W	R/W	R/W	R/W

Initial value: xxH

**ITRM[7:0]** Internal RC Trim bits  
 These bits are read from "Configure Area" when a system reset occurs. These bits provide a user programmable trimming value on operation. The range is -128 to +127. The ITRM7 is sign bit. The IRC frequency is faster by minus value and slower by plus. The frequency is changed about 25[kHz] step-by-step. This register can be written with valid ID value and IRCTCR=0xB3.



**Figure 55 IRCTRM value vs HFIRC frequency graph**

**NOTE)**

1. If the HFIRC frequency is over 13MHz, it may not be trimmed because of the effects of the HFIRC 8MHz filter.

**IRCTCR (Internal RC Trim Control Register) : 91H**

.7	.6	.5	.4	.3	.2	.1	.0
ITCR7	ITCR6	ITCR5	ITCR4	ITCR3	ITCR2	ITCR1	ITCR0
R/W	R/W	R/W	R/W	R/W	R/W	R/W	R/W

Initial value: 00H

**ITCR[7:0]**

Internal RC Trim Control Register

Others

No effect

10110011

IRCTRM register is used for IRC frequency.

This register can be written with valid ID value.

## 11.2 Basic Interval Timer

### 11.2.1 Overview

The A96R739 has one 8-bit basic interval timer that is free-run and can't stop. Block diagram is shown in Figure 11.2. In addition, the basic interval timer generates the time base for watchdog timer counting. It also provides a basic interval timer interrupt (BITIFR).

The A96R739 has these basic interval timer (BIT) features:

- During Power On, BIT gives a stable clock generation time
- On exiting Stop mode, BIT gives a stable clock generation time
- As timer function, timer interrupt occurrence

### 11.2.2 Block Diagram

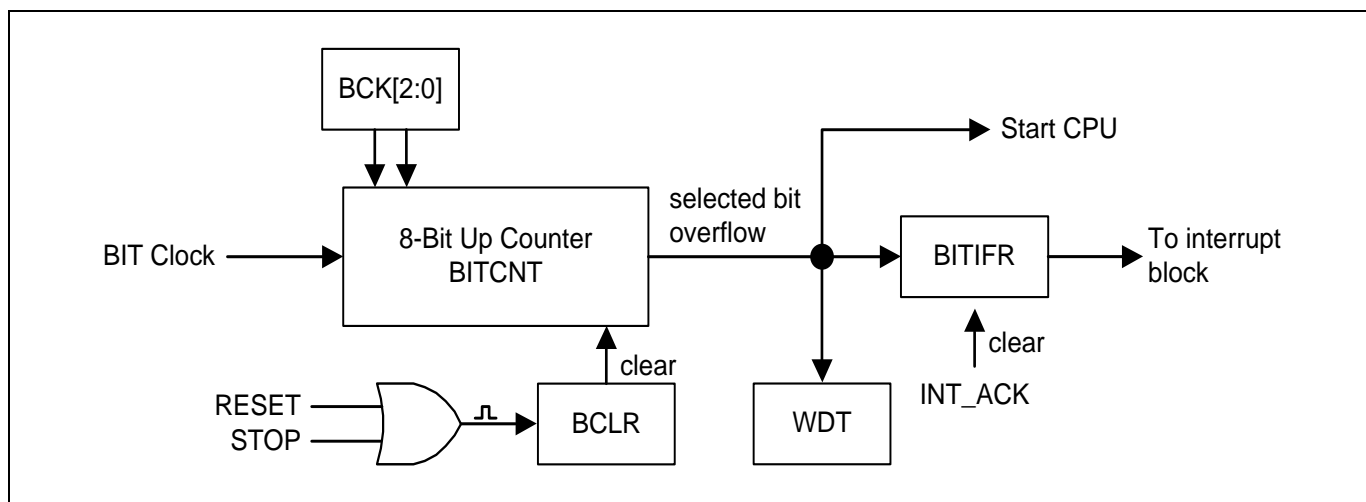


Figure 56 Basic Interval Timer Block Diagram

### 11.2.3 Register Map

Name	Address	Direction	Default	Description
BITCR	8BH	R/W	01H	Basic Interval Timer Control Register
BITCNT	8CH	R	00H	Basic Interval Timer Counter Register

Table 33 Basic Interval Timer Register Map

### 11.2.4 Basic Interval Timer Register Description

The basic interval timer register consists of basic interval timer counter register (BITCNT) and basic interval timer control register (BITCR). If BCLR bit is set to '1', BITCNT becomes '0' and then counts up. After 1 machine cycle, BCLR bit is cleared to '0' automatically.

### 11.2.5 Register Description for Basic Interval Timer

#### BITCNT (Basic Interval Timer Counter Register) : 8CH

7	6	5	4	3	2	1	0
BITCNT7	BITCNT6	BITCNT5	BITCNT4	BITCNT3	BITCNT2	BITCNT1	BITCNT0
R	R	R	R	R	R	R	R

Initial value : 00H

BITCNT[7:0] BIT Counter

#### BITCR (Basic Interval Timer Control Register) : 8BH

7	6	5	4	3	2	1	0
BITIFR	BITCK1	BITCK0	–	BCLR	BCK2	BCK1	BCK0
R/W	R/W	R/W	–	R/W	R/W	R/W	R/W

Initial value : 01H

BITIFR When BIT Interrupt occurs, this bit becomes '1'. For clearing bit, write '0' to this bit or auto clear by INT\_ACK signal. Writing "1" has no effect.

0 BIT interrupt no generation

1 BIT interrupt generation

BITCK[1:0] Select BIT clock source

BITCK1	BITCK0	Description
0	0	fx/4096
0	1	fx/1024
1	0	fx/128
1	1	fx/16

BCLR If this bit is written to '1', BIT Counter is cleared to '0'

0 Free Running

1 Clear Counter

BCK[2:0] Select BIT overflow period

BCK2	BCK1	BCK0	Description
0	0	0	Bit 0 overflow (BIT Clock * 2)
0	0	1	Bit 1 overflow (BIT Clock * 4) (default)
0	1	0	Bit 2 overflow (BIT Clock * 8)
0	1	1	Bit 3 overflow (BIT Clock * 16)
1	0	0	Bit 4 overflow (BIT Clock * 32)
1	0	1	Bit 5 overflow (BIT Clock * 64)
1	1	0	Bit 6 overflow (BIT Clock * 128)
1	1	1	Bit 7 overflow (BIT Clock * 256)

### 11.3 Watch Dog Timer

#### 11.3.1 Overview

The watchdog timer rapidly detects the CPU malfunction such as endless looping caused by noise or something like that, and resumes the CPU to the normal state. The watchdog timer signal for malfunction detection can be used as either a CPU reset or an interrupt request. When the watchdog timer is not being used for malfunction detection, it can be used as a timer to generate an interrupt at fixed intervals. It is possible to use free running 8-bit timer mode (WDTRSON='0') or watch dog timer mode (WDTRSON='1') as setting WDTCR[6] bit. If WDTCR[5] is written to '1', WDT counter value is cleared and counts up. After 1 machine cycle, this bit is cleared to '0' automatically. The watchdog timer consists of 8-bit binary counter and the watchdog timer data register. When the value of 8-bit binary counter is equal to the 8 bits of WDCNT, the interrupt request flag is generated. This can be used as Watchdog timer interrupt or reset of CPU in accordance with the bit WDTRSON.

The input clock source of watch dog timer is the BIT overflow. The interval of watchdog timer interrupt is decided by BIT overflow period and WDTDR set value. The equation can be described as

$$\text{WDT Interrupt Interval} = (\text{BIT Interrupt Interval}) \times (\text{WDTDR Value} + 1)$$

#### 11.3.2 WDT Interrupt Timing Waveform

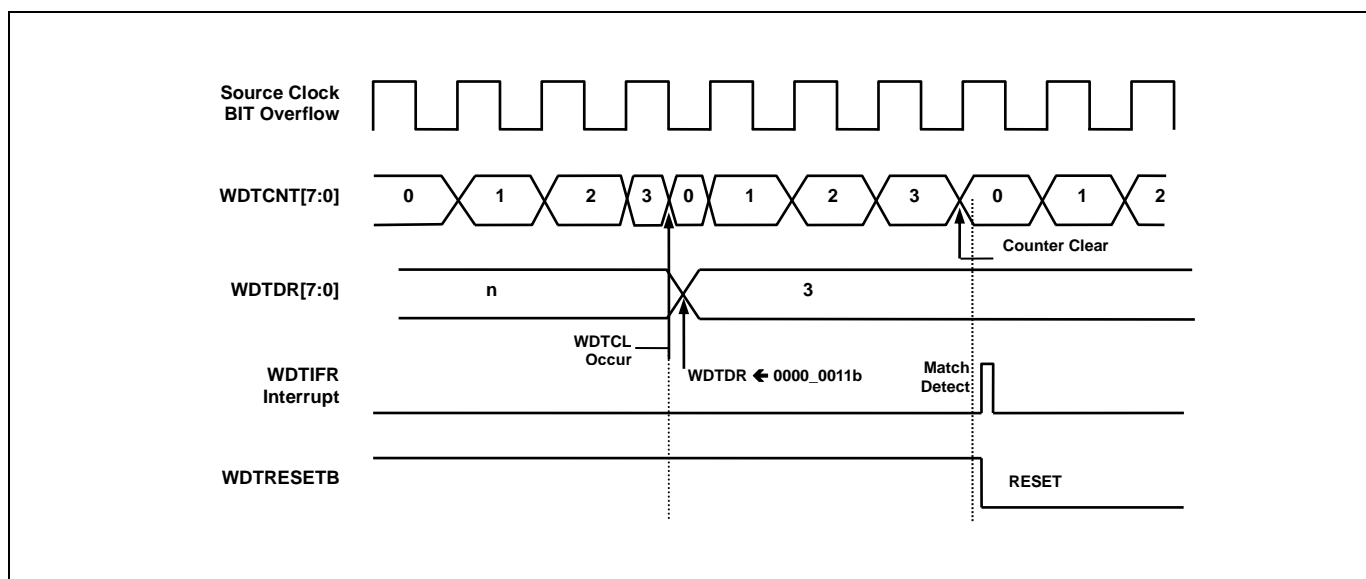


Figure 57 Watch Dog Timer Interrupt Timing Waveform

### 11.3.3 Block Diagram

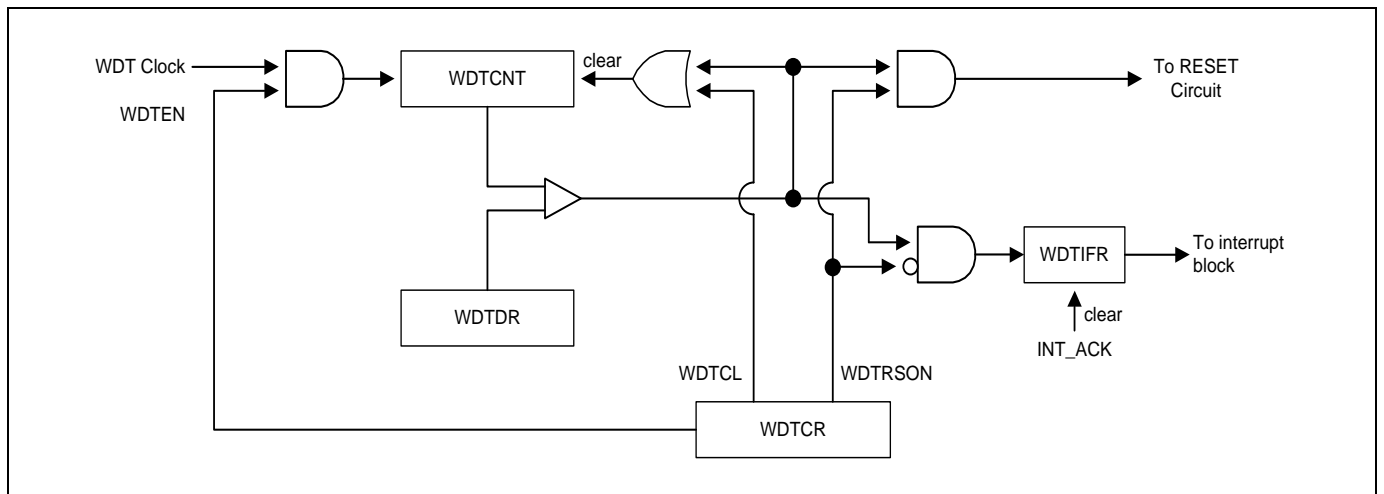


Figure 58 Watch Dog Timer Block Diagram

### 11.3.4 Register Map

Name	Address	Direction	Default	Description
WDCNT	8EH	R	00H	Watch Dog Timer Counter Register
WDTDR	8EH	W	FFH	Watch Dog Timer Data Register
WDTCR	8DH	R/W	00H	Watch Dog Timer Control Register

Table 34 Watch Dog Timer Register Map

### 11.3.5 Watch Dog Timer Register Description

The watch dog timer register consists of watch dog timer counter register (WDCNT), watch dog timer data register (WDTDR) and watch dog timer control register (WDTCR).

### 11.3.6 Register Description for Watch Dog Timer

#### WDTCNT (Watch Dog Timer Counter Register: Read Case) : 8EH

7	6	5	4	3	2	1	0
WDTCNT7	WDTCNT6	WDTCNT5	WDTCNT4	WDTCNT3	WDTCNT2	WDTCNT1	WDTCNT0
R	R	R	R	R	R	R	R

Initial value : 00H

WDTCNT[7:0] WDT Counter

#### WDTDR (Watch Dog Timer Data Register: Write Case) : 8EH

7	6	5	4	3	2	1	0
WDTDR7	WDTDR6	WDTDR5	WDTDR4	WDTDR3	WDTDR2	WDTDR1	WDTDR0
W	W	W	W	W	W	W	W

Initial value : FFH

WDTDR[7:0] Set a period  
 $WDT\ Interrupt\ Interval = (BIT\ Interrupt\ Interval) \times (WDTDR\ Value + 1)$

**NOTE)**

1. Do not write "0" in the WDTDR register.

#### WDTCR (Watch Dog Timer Control Register) : 8DH

7	6	5	4	3	2	1	0
WDTEN	WDRSON	WDTCL	–	–	–	WDTCK	WDTIFR
RW	RW	RW	–	–	–	RW	RW

Initial value : 00H

WDTEN Control WDT Operation  
 0 Disable  
 1 Enable

WDRSON Control WDT RESET Operation  
 0 Free Running 8-bit timer  
 1 Watch Dog Timer RESET ON

WDTCL Clear WDT Counter  
 0 Free Run  
 1 Clear WDT Counter (auto clear after 1 Cycle)

WDTCK Control WDT Clock Selection Bit  
 0 BIT overflow for WDT clock (WDTRC disable)  
 1 WDTRC for WDT clock (WDTRC enable)

WDTIFR When WDT Interrupt occurs, this bit becomes '1'. For clearing bit, write '0' to this bit or auto clear by INT\_ACK signal. Writing "1" has no effect.  
 0 WDT Interrupt no generation  
 1 WDT Interrupt generation



## 11.4 Watch Timer

### 11.4.1 Overview

The watch timer has the function for RTC (Real Time Clock) operation. It is generally used for RTC design. The internal structure of the watch timer consists of the clock source select circuit, timer counter circuit, output select circuit and watch timer control register. To operate the watch timer, determine the input clock source, output interval and set WTEN to '1' in watch timer control register (WTCR). It is able to execute simultaneously or individually. To stop or reset WT, clear the WTEN bit in WTCR register. Even if CPU is STOP mode, sub clock is able to be so alive that WT can continue the operation. The watch timer counter circuits may be composed of 21-bit counter which contains low 14-bit with binary counter and high 7-bit counter in order to raise resolution. In WTDR, it can control WT clear and set interval value at write time and it can read 7-bit WT counter value at read time.

The watch timer supplies the clock frequency for the LCD driver ( $f_{LCD}$ ). Therefore, if the watch timer is disabled, the LCD driver controller does not operate.

### 11.4.2 Block Diagram

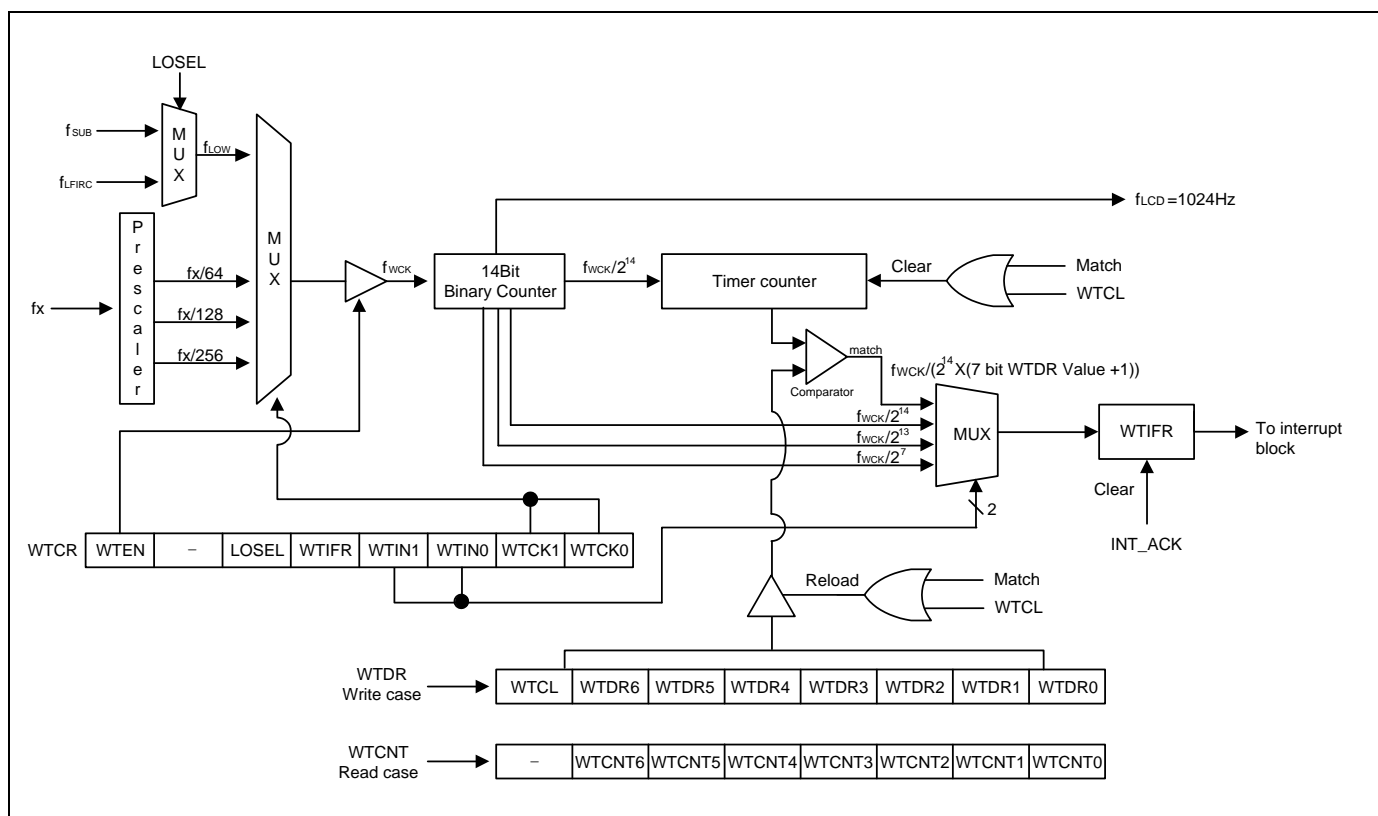


Figure 59 Watch Timer Block Diagram

### 11.4.3 Register Map

Name	Address	Direction	Default	Description
WTCNT	89H	R	00H	Watch Timer Counter Register
WTDR	89H	W	7FH	Watch Timer Data Register
WTCR	96H	R/W	00H	Watch Timer Control Register

**Table 35 Watch Timer Register Map**

### 11.4.4 Watch Timer Register Description

The watch timer register consists of watch timer counter register (WTCNT), watch timer data register (WTDR) and watch timer control register (WTCR). As WTCR is 7-bit writable/readable register, WTCR can control the clock source (WTCK[1:0]), Select low frequency(LOSEL) interrupt interval (WTIN[1:0]) and function enable/disable (WTEN). Also there is WT interrupt flag bit (WTIFR).

### 11.4.5 Register Description for Watch Timer

#### WTCNT (Watch Timer Counter Register: Read Case) : 89H

7	6	5	4	3	2	1	0
–	WTCNT6	WTCNT5	WTCNT4	WTCNT3	WTCNT2	WTCNT1	WTCNT0
–	R	R	R	R	R	R	R

Initial value : 00H

WTCNT[6:0] WT Counter

#### WTDR (Watch Timer Data Register: Write Case) : 89H

7	6	5	4	3	2	1	0
WTCL	WTDR6	WTDR5	WTDR4	WTDR3	WTDR2	WTDR1	WTDR0
R/W	W	W	W	W	W	W	W

Initial value : 7FH

WTCL Clear WT Counter  
 0 Free Run  
 1 Clear WT Counter (auto clear after 1 Cycle)  
 WTDR[6:0] Set WT period  
 WT Interrupt Interval= $fwck / (2^{14} \times (7\text{bit WTDR Value} + 1))$

**NOTE)**

- Do not write “0” in the WTDR register.

**WTCR (Watch Timer Control Register) : 96H**

7	6	5	4	3	2	1	0
WTEN	–	LOSEL	WTIFR	WTIN1	WTIN0	WTCK1	WTCK0
R/W	–	R/W	R/W	R/W	R/W	R/W	R/W

Initial value : 00H

WTEN	Control Watch Timer		
	0	Disable	
	1	Enable	
LOSEL	Select Low Frequency ( $f_{LOW}$ )		
	0	$f_{SUB}$	
	1	$f_{LFIRC}$	
WTIFR	When WT Interrupt occurs, this bit becomes '1'. For clearing bit, write '0' to this bit or auto clear by INT_ACK signal. Writing "1" has no effect.		
	0	WT Interrupt no generation	
	1	WT Interrupt generation	
WTIN[1:0]	Determine interrupt interval		
	WTIN1	WTIN0	Description
	0	0	$f_{WCK}/2^7$
	0	1	$f_{WCK}/2^{13}$
	1	0	$f_{WCK}/2^{14}$
	1	1	$f_{WCK}/(2^{14} \times (7\text{bit WTDR Value}+1))$
WTCK[1:0]	Determine Source Clock		
	WTCK1	WTCK0	Description
	0	0	$f_{LOW}$
	0	1	$f_X/256$
	1	0	$f_X/128$
	1	1	$f_X/64$

**NOTE)**

1.  $f_X$  – System clock frequency (Where  $f_X= 4.19\text{MHz}$ )
2.  $f_{SUB}$  – Sub clock oscillator frequency (32.768kHz)
3.  $f_{LFIRC}$  – Low frequency IRC (32kHz)
4.  $f_{WCK}$  – Selected Watch timer clock
5.  $f_{LCD}$  – LCD frequency (Where  $f_X= 4.19\text{MHz}$ ,  $WTCK[1:0]='10'$ ;  $f_{LCD}= 1024\text{Hz}$ )

## 11.5 Timer 0

### 11.5.1 Overview

The 8-bit timer 0 consists of multiplexer, timer 0 counter register, timer 0 data register, timer 0 capture data register and timer 0 control register (T0CNT, T0DR, T0CDR , T0CR).

It has three operating modes:

- 8-bit timer/counter mode
- 8-bit PWM output mode
- 8-bit PWM output mode

The timer/counter 0 can be clocked by an internal or an external clock source (EC0). The clock source is selected by clock selection logic which is controlled by the clock selection bits(T0CK[2:0]).

- TIMER0 clock source:  $f_x/2$ , 4, 8, 32, 128, 512, 2048 and EC0

T0EN	T0MS[1:0]	T0CK[2:0]	Timer 0
1	00	XXX	8 Bit Timer/Counter Mode
1	01	XXX	8 Bit PWM Mode
1	1x	XXX	8 Bit Capture Mode

**Table 36 Timer 0 Operating Modes**

### 11.5.2 8-bit Timer/Counter Mode

The 8-bit timer/counter mode is selected by control register as shown in Figure 11.6.

The 8-bit timer have counter and data register. The counter register is increased by internal or external clock input. Timer 0 can use the input clock with one of 2, 4, 8, 32, 128, 512 and 2048 prescaler division rates (T0CK[2:0]). When the value of T0CNT and T0DR is identical in timer 0, a match signal is generated and the interrupt of Timer 0 occurs. T0CNT value is automatically cleared by match signal. It can be also cleared by software (T0CC).

The external clock (EC0) counts up the timer at the rising edge. If the EC0 is selected as a clock source by T0CK[2:0], EC0 port should be set to the input port by P62IO bit.

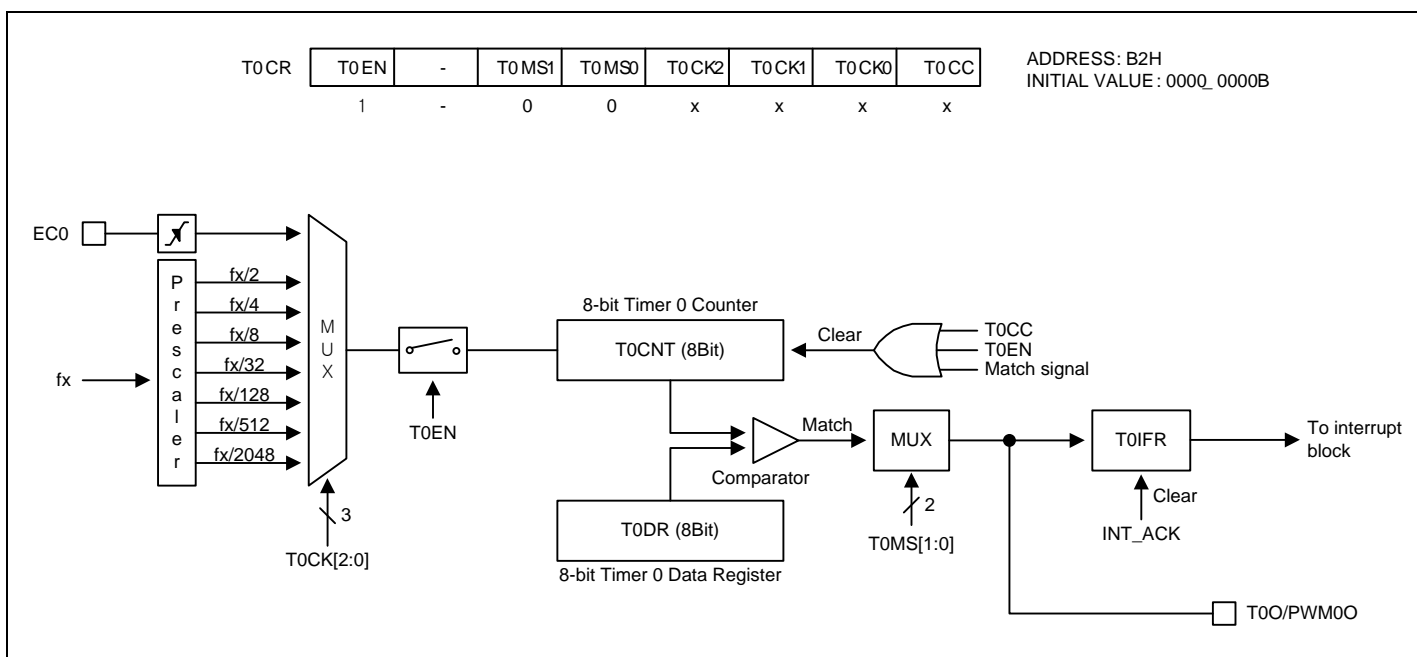


Figure 60 8-bit Timer/Counter Mode for Timer 0

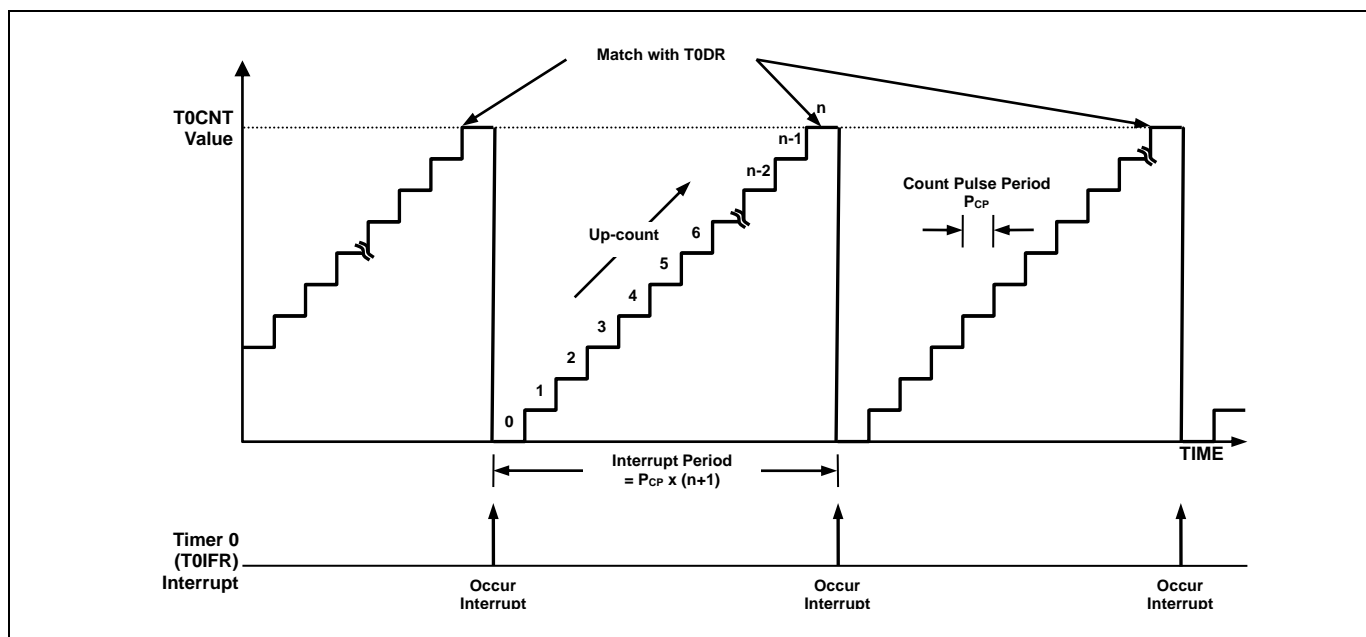


Figure 61 8-bit Timer/Counter 0 Example

### 11.5.3 8-bit PWM Mode

The timer 0 has a high speed PWM (Pulse Width Modulation) function. In the 8-bit timer/counter mode, a match signal is generated when the counter value is identical to the value of T0DR. When the value of T0CNT and T0DR is identical in timer 0, a match signal is generated and the interrupt of timer 0 occurs. In PWM mode, the match signal does not clear the counter. Instead, it runs continuously, overflowing at “FFH” and then continues incrementing from “00H”. The timer 0 overflow interrupt is generated whenever a counter overflow occurs. T0CNT value is cleared by software (T0CC) bit.

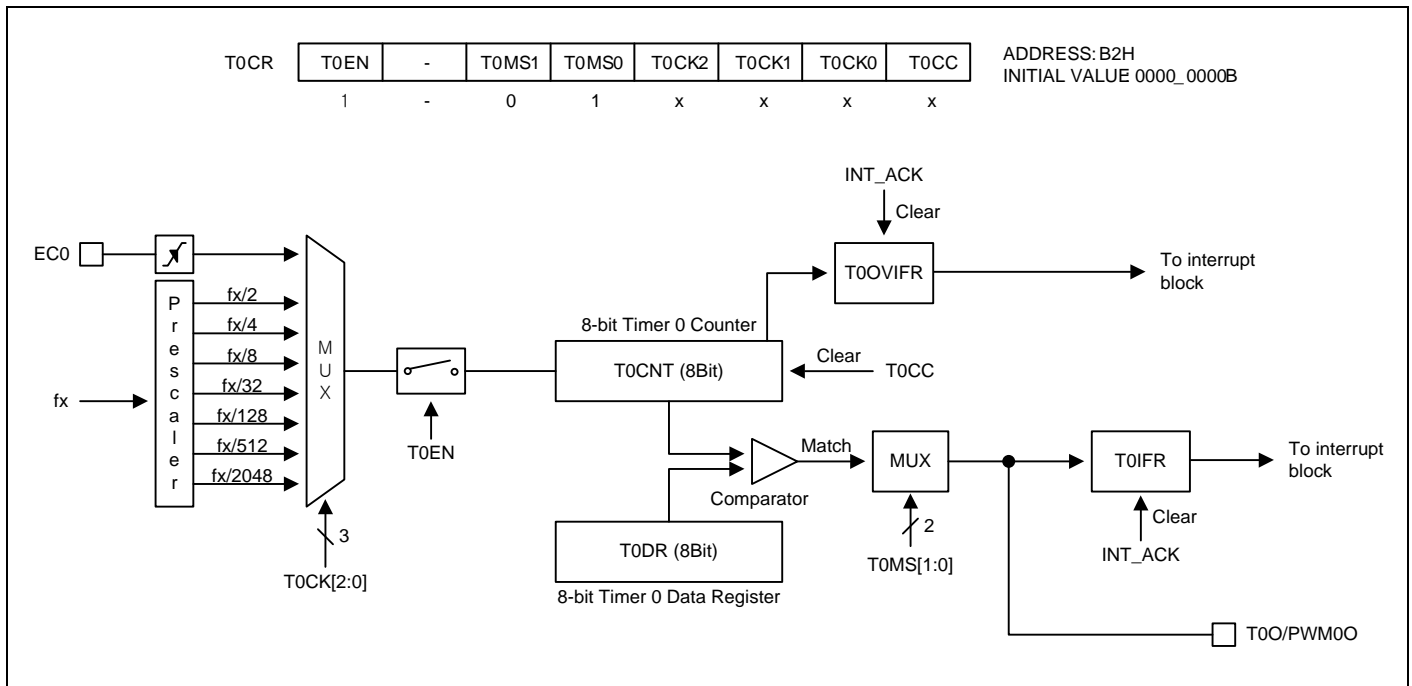
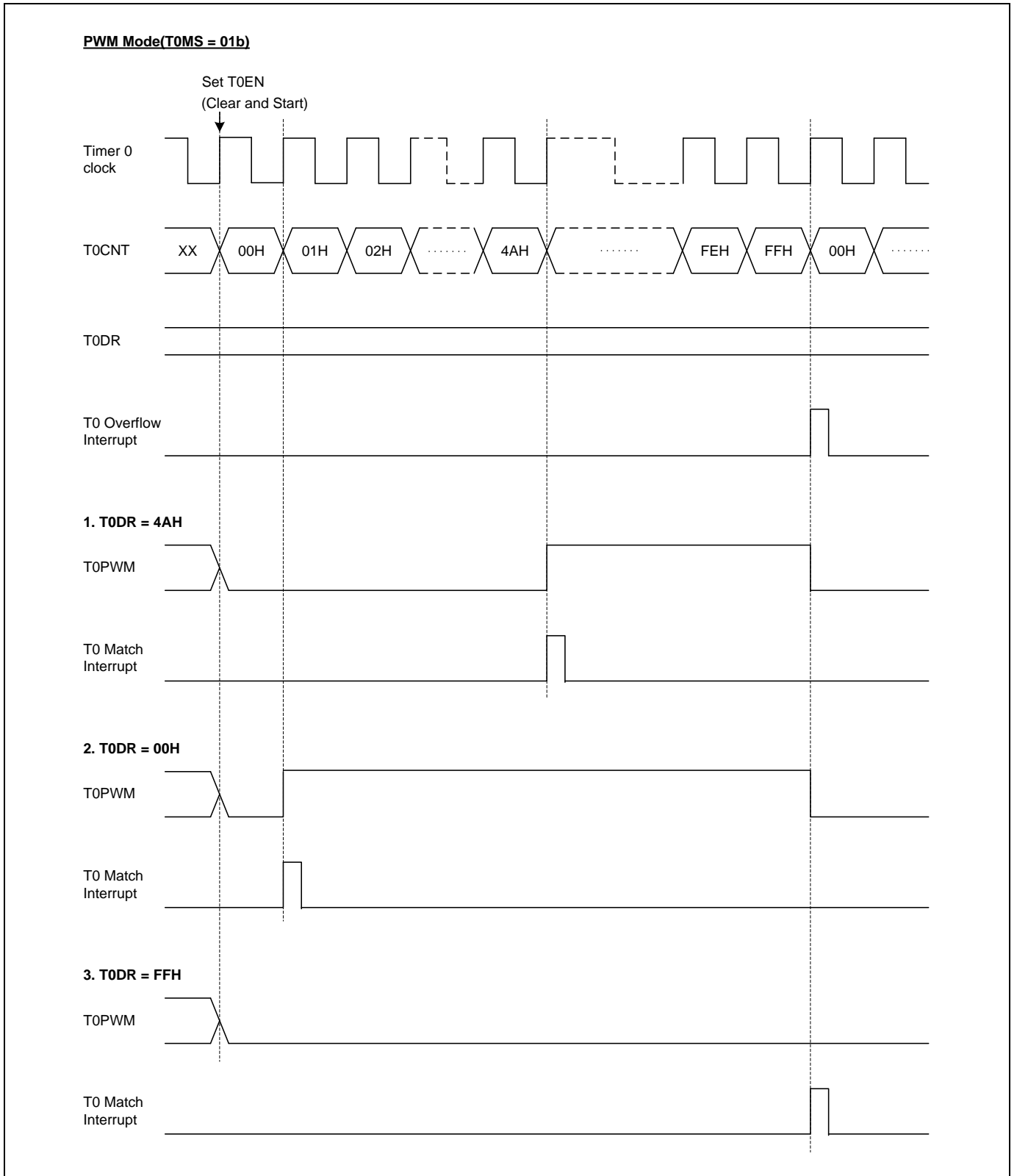


Figure 62 8-bit PWM Mode for Timer 0



**Figure 63 PWM Output Waveforms in PWM Mode for Timer 0**

### 11.5.4 8-bit Capture Mode

The timer 0 capture mode is set by  $TnMS[1:0]$  as '1x'. The clock source can use the internal/external clock. Basically, it has the same function as the 8-bit timer/counter mode and the interrupt occurs when  $T0CNT$  is equal to  $T0DR$ .  $T0CNT$  value is automatically cleared by match signal and it can be also cleared by software ( $T0CC$ ).

This timer interrupt in capture mode is very useful when the pulse width of captured signal is wider than the maximum period of timer.

The capture result is loaded into  $T0CDR$ . In the timer n capture mode, timer n output ( $T0O$ ) waveform is not available. According to  $EIPOL0$  registers setting, the external interrupt  $EINT10$  function is chosen. Of course, the  $EINT10$  pin must be set to an input port.

$T0CDR$  and  $T0DR$  are in the same address. In the capture mode, reading operation reads  $T0CDR$ , not  $T0DR$  and writing operation will update  $T0DR$ .

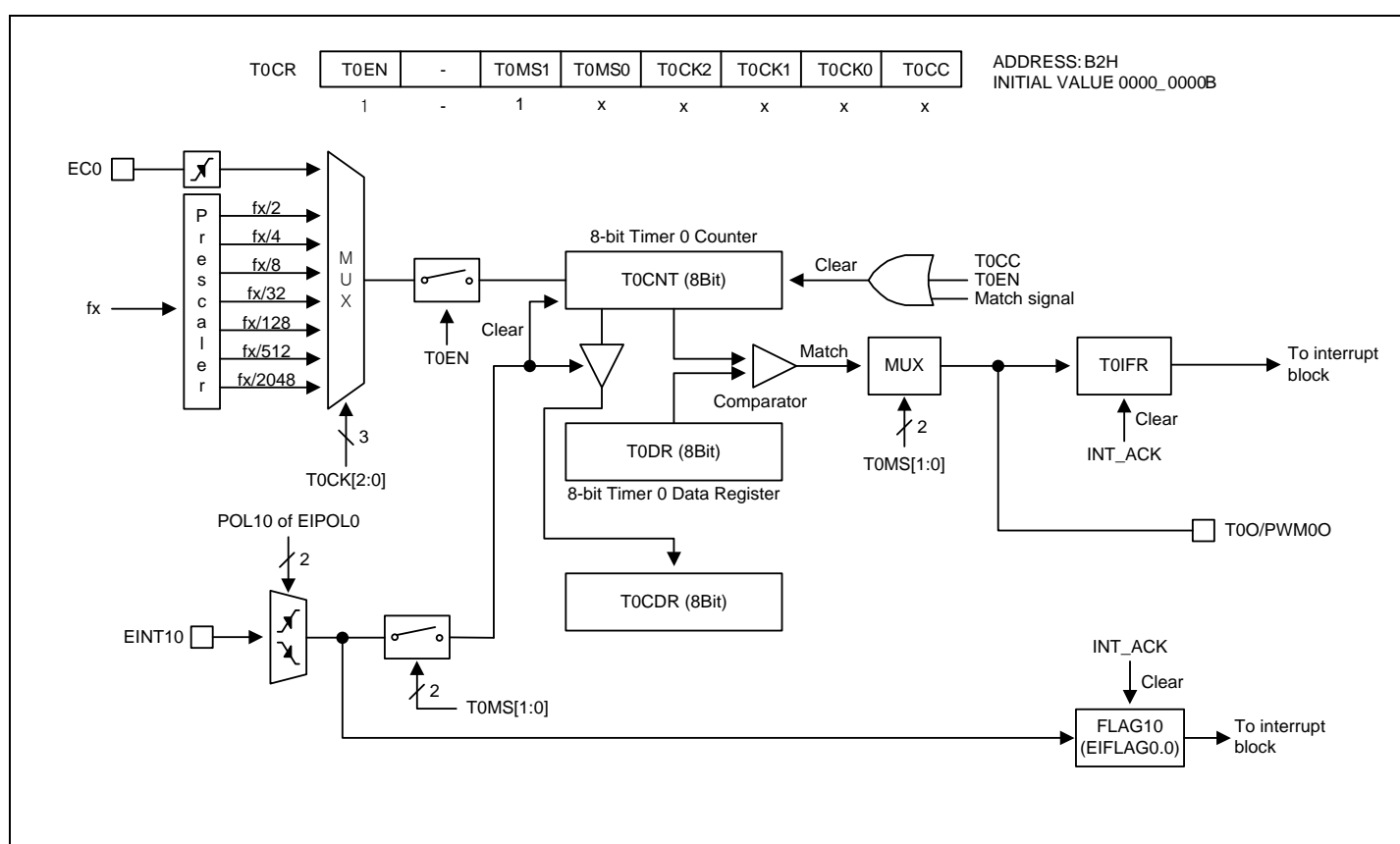


Figure 64 PWM Output Waveforms in PWM Mode for Timer 0



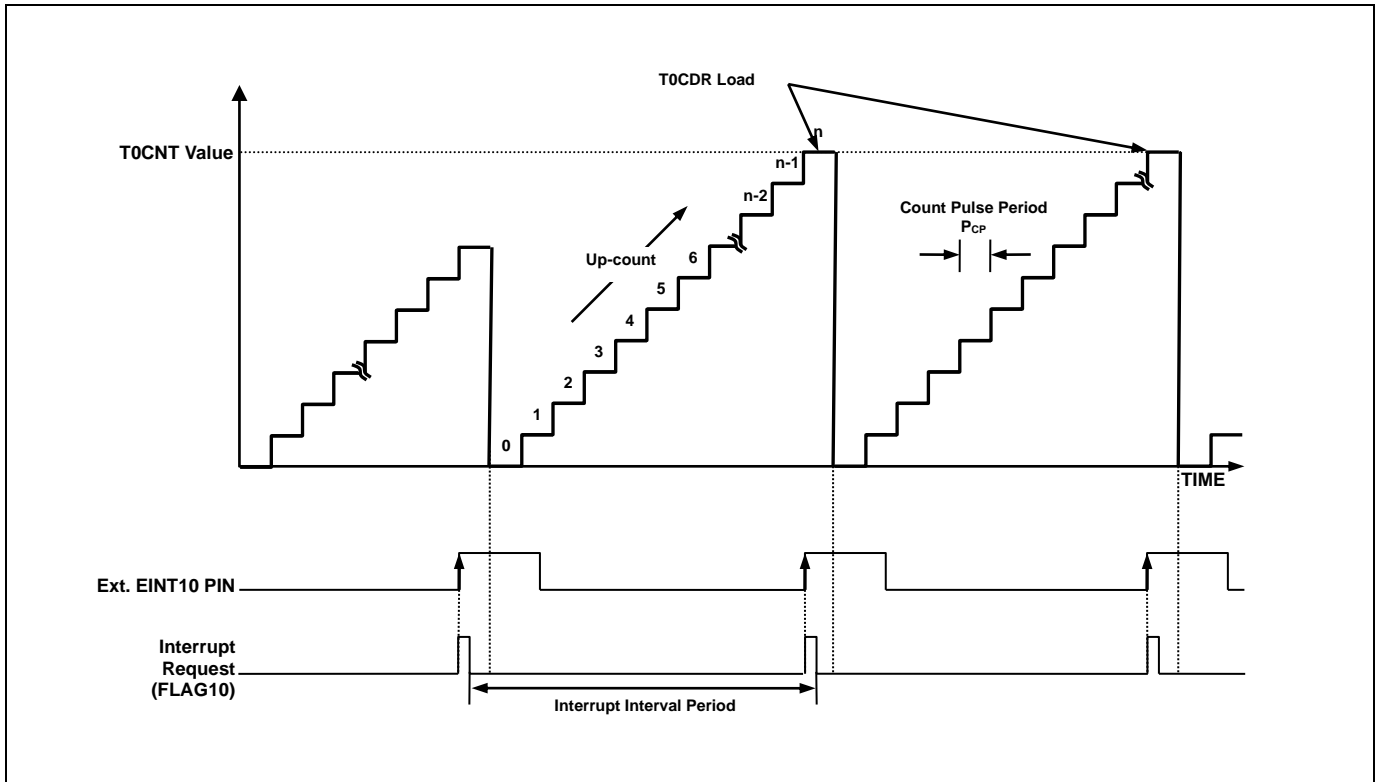


Figure 65 Input Capture Mode Operation for Timer 0

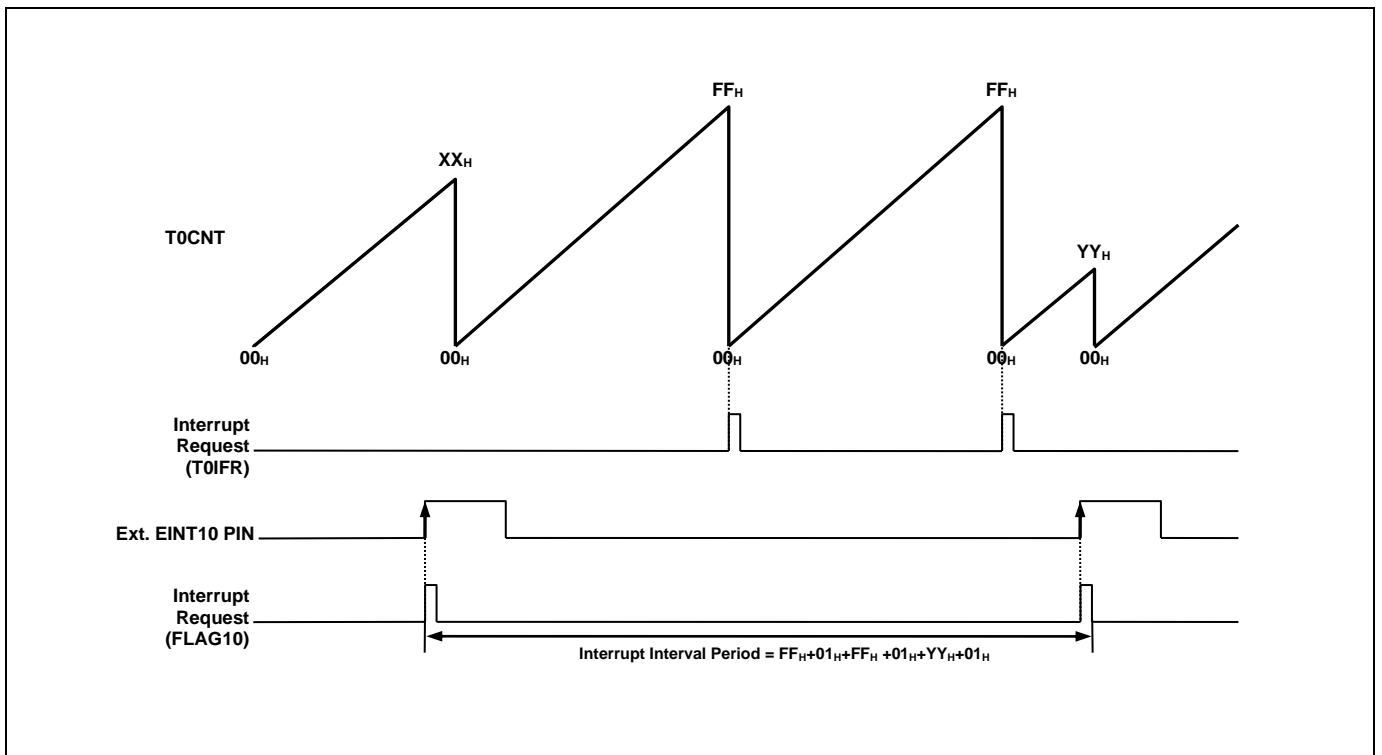


Figure 66 Express Timer Overflow in Capture Mode

11.5.5 Block Diagram

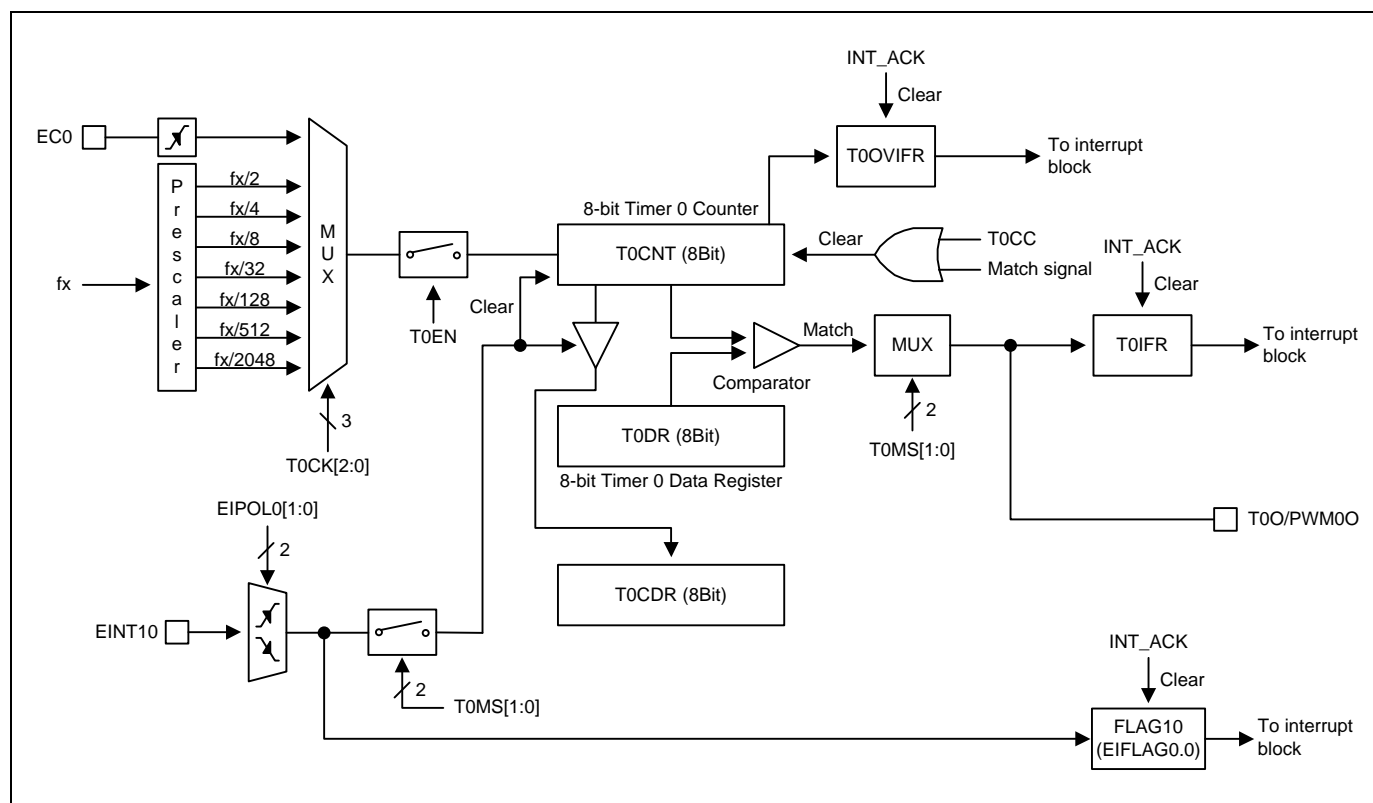


Figure 67 8-bit Timer 0 Block Diagram

11.5.6 Register Map

Name	Address	Direction	Default	Description
T0CR	B2H	R/W	00H	Timer 0 Control Register
T0CNT	B3H	R	00H	Timer 0 Counter Register
T0DR	B4H	R/W	FFH	Timer 0 Data Register
T0CDR	B4H	R	00H	Timer 0 Capture Data Register

Table 37 Timer 0 Register Map

11.5.7 Timer/Counter 0 Register Description

The timer/counter 0 register consists of timer 0 counter register (T0CNT), timer 0 data register (T0DR), timer 0 capture data register (TOCDR) and timer 0 control register (T0CR).

### 11.5.8 Register Description for Timer/Counter 0

#### T0CNT (Timer 0 Counter Register) : B3H

7	6	5	4	3	2	1	0
T0CNT7	T0CNT6	T0CNT5	T0CNT4	T0CNT3	T0CNT2	T0CNT1	T0CNT0
R	R	R	R	R	R	R	R

Initial value : 00H

T0CNT[7:0] T0 Counter

#### T0DR (Timer 0 Data Register: Write Case when Capture mode) : B4H

7	6	5	4	3	2	1	0
T0DR7	T0DR6	T0DR5	T0DR4	T0DR3	T0DR2	T0DR1	T0DR0
R/W	R/W	R/W	R/W	R/W	R/W	R/W	R/W

Initial value : FFH

T0DR[7:0] T0 Data

#### T0CDR (Timer 0 Capture Data Register: Read Case, Capture mode only) : B4H

7	6	5	4	3	2	1	0
T0CDR7	T0CDR6	T0CDR5	T0CDR4	T0CDR3	T0CDR2	T0CDR1	T0CDR0
R	R	R	R	R	R	R	R

Initial value : 00H

T0CDR[7:0] T0 Capture Data

T0CR (Timer 0 Control Register) : B2H

7	6	5	4	3	2	1	0
T0EN	–	T0MS1	T0MS0	T0CK2	T0CK1	T0CK0	T0CC
R/W	–	R/W	R/W	R/W	R/W	R/W	R/W

Initial value : 00H

T0EN	Control Timer 0			
	0	Timer 0 disable		
	1	Timer 0 enable		
T0MS[1:0]	Control Timer 0 Operation Mode			
	T0MS1	T0MS0	Description	
	0	0	Timer/counter mode (T0O: toggle at match)	
	0	1	PWM mode (The overflow interrupt can occur)	
	1	x	Capture mode (The match interrupt can occur)	
T0CK[2:0]	Select Timer 0 clock source. fx is a system clock frequency			
	T0CK2	T0CK1	T0CK0	Description
	0	0	0	fx/2
	0	0	1	fx/4
	0	1	0	fx/8
	0	1	1	fx/32
	1	0	0	fx/128
	1	0	1	fx/512
	1	1	0	fx/2048
	1	1	1	External Clock (EC0)
T0CC	Clear timer 0 Counter			
	0	No effect		
	1	Clear the Timer 0 counter (When write, automatically cleared "0" after being cleared counter)		

**NOTE)**

1. Refer to the external interrupt flag 0 register (EIFLAG0) for the T0 overflow and interval interrupt flags.

## 11.6 Timer 1

### 11.6.1 Overview

The 8-bit timer 1 consists of multiplexer, timer 1 counter register, timer 1 data high/low register and timer 1 control register (T1CNT, T1DRH, T1DRL, T1CR) . For carrier mode, it has the carrier control register (CARCR).

It has two operating modes:

- 8-bit timer/counter mode
- 8-bit carrier mode

The timer/counter 1 can be clocked by an internal clock source. The clock source is selected by clock selection logic which is controlled by the clock selection bits (T1CK[1:0]).

- TIMER1 clock source:  $f_x/1$ ,  $f_x/2$ ,  $f_x/4$ ,  $f_x/8$

In the carrier mode, Timer 1 can be used to generate the carrier frequency or a remote controller signal. Timer 1 can output the comparison result between T1CNT & T1DRH/L and carrier frequency through REM port. T1CNT value is cleared by hardware.

T1EN	CAR1	T1CK[1:0]	CMOD	Timer 1
1	0	XXX	0	8 Bit Timer/Counter
1	1	XXX	0	8 Bit Carrier (One-shot)
1	1	XXX	1	8 Bit Carrier (Repeat)

**Table 38 Timer 1 Operating Modes**

### 11.6.2 8-bit Timer/Counter 1 Mode

The 8-bit timer/counter mode is selected by control register as shown in Figure 11.14.

The 8-bit timer have counter and data register. The counter register is increased by internal clock source. Timer 1 can use the input clock with one of 1, 2, 4 and 8 prescaler division rates (T1CK[1:0]). When the value of T1CNT and the T1DRH is identical in Timer 1, a match signal is generated and the interrupt of Timer 1 occurs. The match signal generates a timer 1 interrupt and clear the counter. The timer 1 interval can be output through REM port.

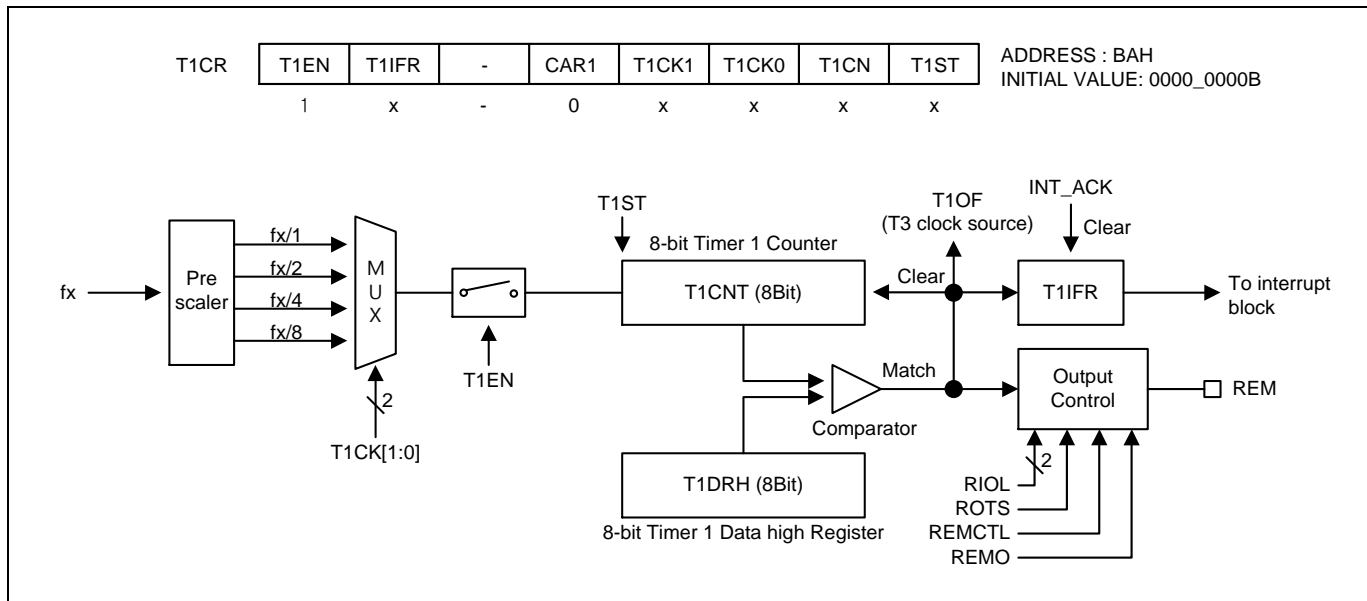


Figure 68 8-bit Timer/Counter Mode for Timer 1

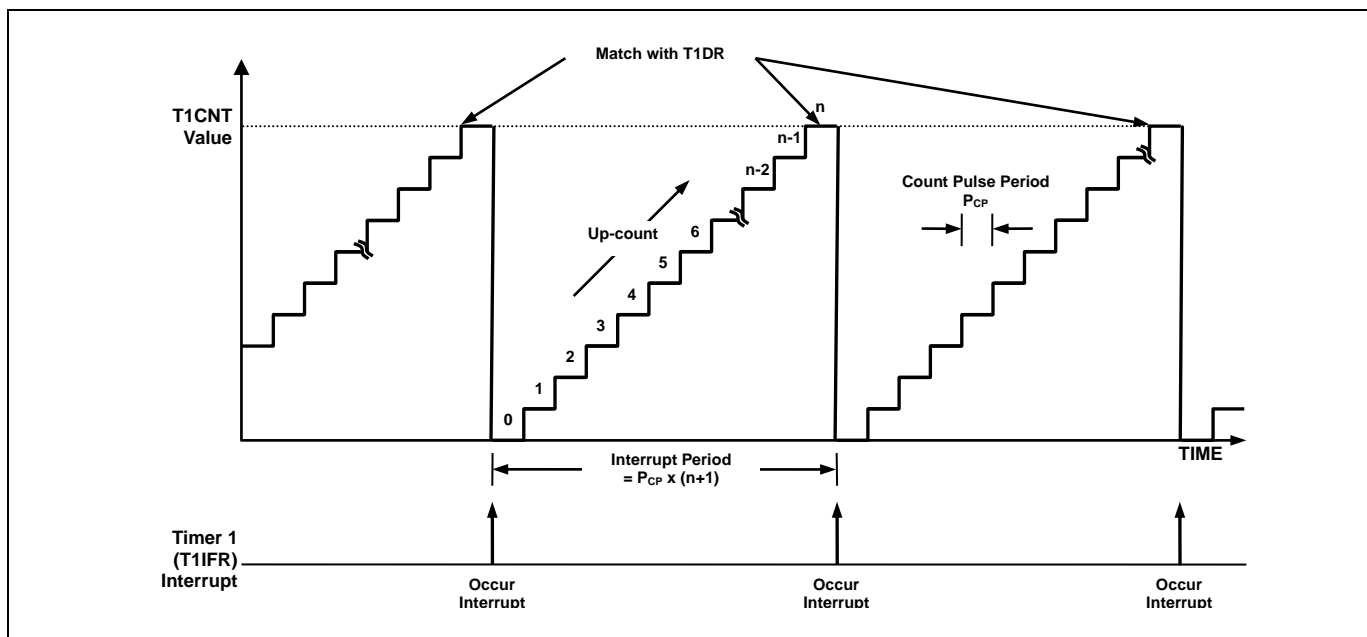


Figure 69 8-bit Timer/Counter 1 Example

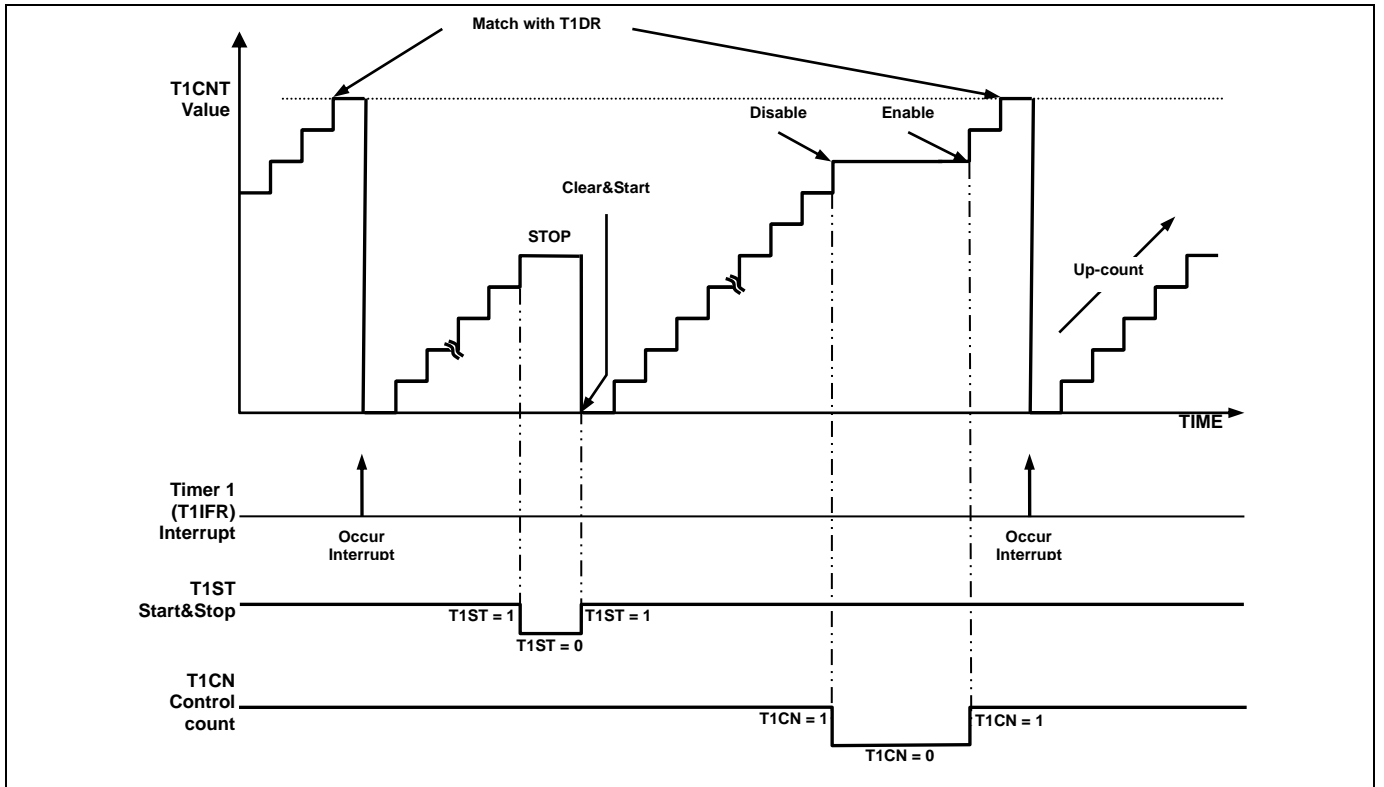
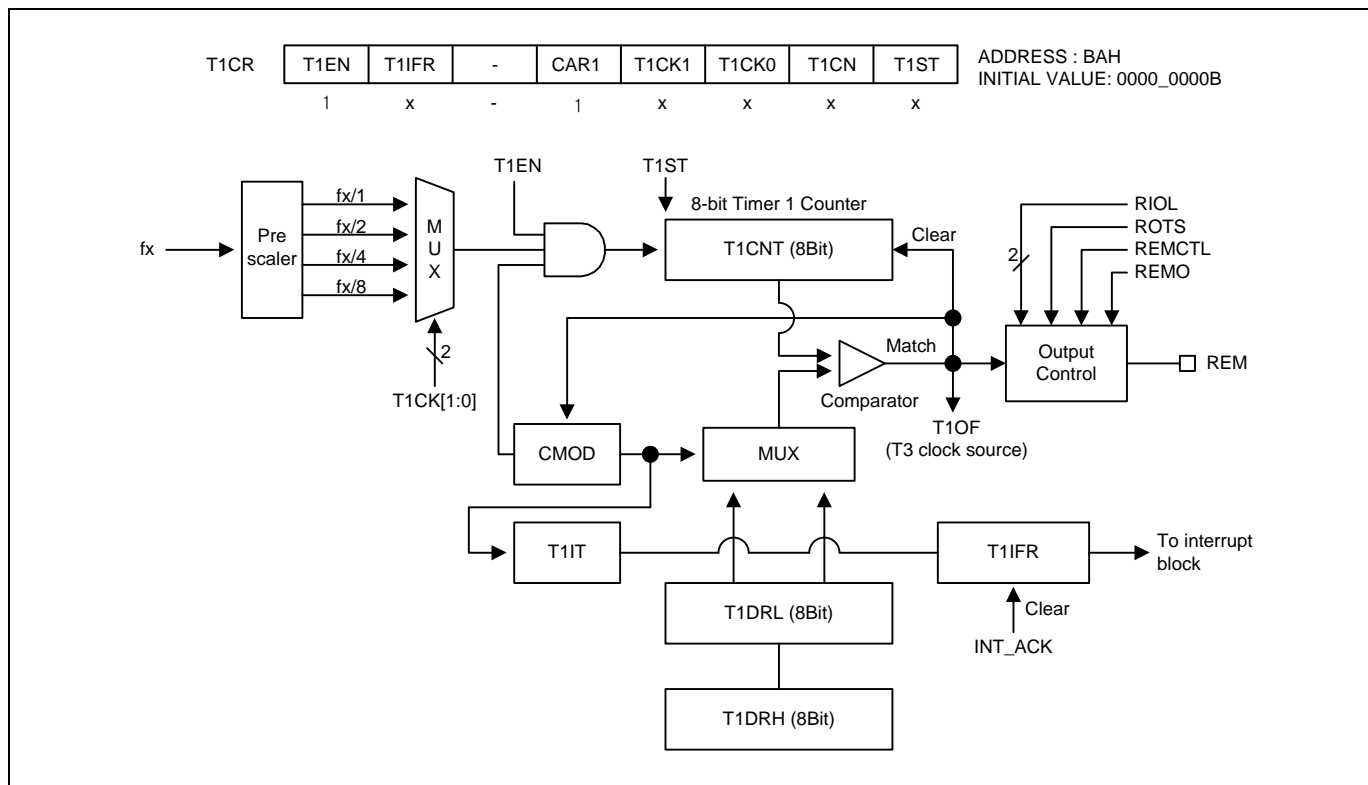


Figure 70 8-bit Timer/Counter 1 Counter Operation

### 11.6.3 8-bit Timer 1 Carrier Frequency Mode

The carrier frequency and the pulse of data are calculated by the formula in the following sheet. The Figure 11.17 shows the block diagram of Timer 1 for carrier frequency mode.



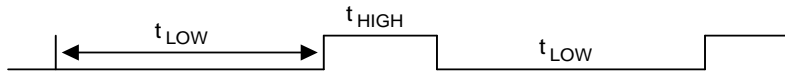
**Figure 71 Carrier Mode for Timer 1**

**NOTE)**

1. When one of T1DRH and T1DRL values is "00H", the carrier frequency generator (REM) output always becomes a "High" or "Low". At that time, Timer 1 Interrupt Flag Bit (T1IFR) is not set.



### 11.6.4 Carrier Output Pulse Width Calculations



To generate the above repeated waveform consisted of low period time ( $t_{LOW}$ ) and high period time ( $t_{HIGH}$ ).

When  $REMO = 0$ ,

$$t_{LOW} = (T1DRL + 1) \times 1/f_{T1}, 0H < T1DRL < 100H, \text{ where } f_{T1} = \text{The selected clock.}$$

$$t_{HIGH} = (T1DRH + 1) \times 1/f_{T1}, 0H < T1DRH < 100H, \text{ where } f_{T1} = \text{The selected clock.}$$

When  $REMO = 1$ ,

$$t_{LOW} = (T1DRH + 1) \times 1/f_{T1}, 0H < T1DRH < 100H, \text{ where } f_{T1} = \text{The selected clock.}$$

$$t_{HIGH} = (T1DRL + 1) \times 1/f_{T1}, 0H < T1DRL < 100H, \text{ where } f_{T1} = \text{The selected clock.}$$

To make  $t_{LOW} = 24 \text{ us}$  and  $t_{HIGH} = 15 \text{ us}$ .  $f_X = 4 \text{ MHz}$ ,  $f_{T1} = 4 \text{ MHz}/4 = 1 \text{ MHz}$

When  $REMO = 0$ ,

$$t_{LOW} = 24 \text{ us} = (T1DRL + 1) / f_{T1} = (T1DRL + 1) \times 1 \text{ us}, T1DRL = 22.$$

$$t_{HIGH} = 15 \text{ us} = (T1DRH + 1) / f_{T1} = (T1DRH + 1) \times 1 \text{ us}, T1DRH = 13.$$

When  $REMO = 1$ ,

$$t_{LOW} = 24 \text{ us} = (T1DRH + 1) / f_{T1} = (T1DRH + 1) \times 1 \text{ us}, T1DRH = 22.$$

$$t_{HIGH} = 15 \text{ us} = (T1DRL + 1) / f_{T1} = (T1DRL + 1) \times 1 \text{ us}, T1DRL = 13.$$

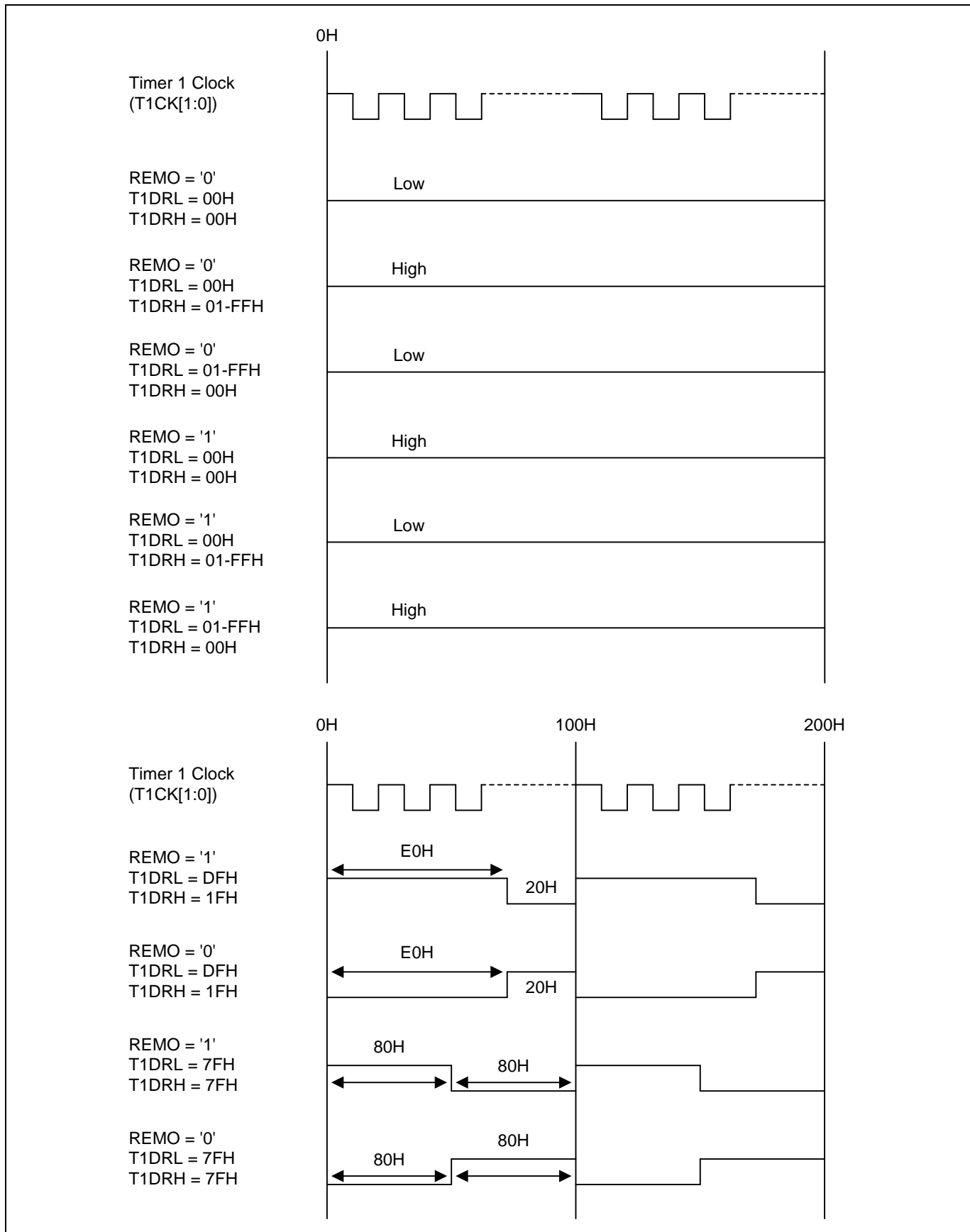


Figure 72 Carrier Output Waveforms in Repeat Mode for Timer 1

11.6.5 Block Diagram

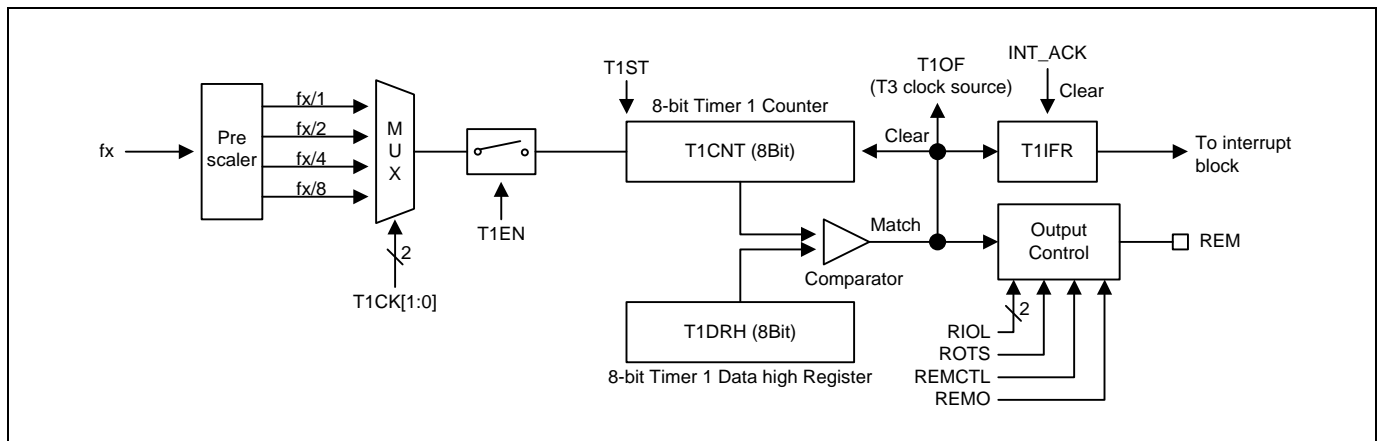


Figure 73 8-bit Timer 1 Block Diagram

11.6.6 Register Map

Name	Address	Direction	Default	Description
T1CR	BAH	R/W	00H	Timer 1 Control Register
CARCR	BEH	R/W	00H	Carrier control Register
T1CNT	BBH	R	00H	Timer 1 Counter Register
T1DRH	BDH	R/W	FFH	Timer 1 Data High Register
T1DRL	BCH	R/W	FFH	Timer 1 Data Low Register

Table 39 Timer 1 Register Map

### 11.6.7 Timer/Counter 1 Register Description

The timer/counter 1 register consists of timer 1 counter register (T1CNT), timer 1 data high register (T1DRH), timer 1 data low register (T1DRL), timer 1 control register (T1CR) and carrier control register (CARCR).

### 11.6.8 Register Description for Timer/Counter 1

#### T1CNT (Timer 1 Counter Register) : BBH

7	6	5	4	3	2	1	0
T1CNT7	T1CNT6	T1CNT5	T1CNT4	T1CNT3	T1CNT2	T1CNT1	T1CNT0
R	R	R	R	R	R	R	R

Initial value : 00H

T1CNT[7:0] T1 Counter

#### T1DRH (Timer 1 Data High Register) : BDH

7	6	5	4	3	2	1	0
T1DRH7	T1DRH6	T1DRH5	T1DRH4	T1DRH3	T1DRH2	T1DRH1	T1DRH0
R/W	R/W	R/W	R/W	R/W	R/W	R/W	R/W

Initial value : FFH

T1DRH[7:0] T1 Data High

#### T1DRL (Timer 1 Data Low Register: Carrier mode only) : BCH

7	6	5	4	3	2	1	0
T1DRL7	T1DRL6	T1DRL5	T1DRL4	T1DRL3	T1DRL2	T1DRL1	T1DRL0
R/W	R/W	R/W	R/W	R/W	R/W	R/W	R/W

Initial value : FFH

T1DRL[7:0] T1 Data Low

## T1CR (Timer 1 Control Register) : BAH

7	6	5	4	3	2	1	0
T1EN	T1IFR	–	CAR1	T1CK1	T1CK0	T1CN	T1ST
R/W	R/W	–	R/W	R/W	R/W	R/W	R/W

Initial value : 00H

T1EN	Control Timer 1
0	Timer 1 disable
1	Timer 1 enable
T1IFR	When T1 Match Interrupt occurs, this bit becomes '1'. For clearing bit, write '0' to this bit or auto clear by INT_ACK signal. Writing "1" has no effect.
0	T1 match interrupt no generation
1	T1 match interrupt generation
CAR1	Control Timer 1 Operation mode
0	Timer/counter mode
1	Carrier mode
T1CK[1:0]	Select Timer 1 clock source. fx is system clock frequency
	T1CK1 T1CK0 Description
0	0 fx/1
0	1 fx/2
1	0 fx/4
1	1 fx/8
T1CN	Control Timer 1 Counter pause/continue
0	Temporary count stop
1	Continue count
T1ST	Control Timer 1 start/stop
0	Counter stop
1	Clear counter and start

**CARCR (Carrier Control Register: Carrier mode only) : BEH**

7	6	5	4	3	2	1	0
RIOL1	RIOL0	T1IT1	T1IT0	ROTS	REMCTL	CMOD	REMO
R/W	R/W	R/W	R/W	R/W	R/W	R/W	R/W

Initial value : 00H

RIOL [1:0]	REM Output Low Current (IOL) Capability Selection only when the ROTs bit is "0b". The basic IOL is typical 630mA when VDD = 3V and VOL = 1.0V.	
RIOL1	RIOL0	Description
0	0	IOL x 0.60
0	1	IOL x 0.75
1	0	IOL x 0.90
1	1	IOL x 1.0
T1IT[1:0]	T1 Interrupt Time Select	
T1IT1	T1IT0	Description
0	0	Elapsed time for low data value
0	1	Elapsed time for high data value
1	0	Elapsed time for low and high data value
1	1	Not available
ROTS	REM Output Type Selection	
0	N-channel open-drain output (High sink current)	
1	Push-pull output (Normal CMOS)	
REMCTL	REM Operation Control	
0	When the ROTs bit is 0, REM is high-impedance. When the ROTs bit is 1, REM is high-impedance at REMO=1 and low level at REMO=0	
1	REM signal is output	
CMOD	Carrier Frequency Mode Select	
0	One-shot mode	
1	Repeating mode	
REMO	REM Output Control. Where Hi-Z is high-impedance	
0	T1DRL/T1DRH -> Hi-Z/Low width during ROTs=0 T1DRL/T1DRH -> Low/High width during ROTs=1	
1	T1DRL/T1DRH -> Low/Hi-Z width during ROTs=0 T1DRL/T1DRH -> High/Low width during ROTs=1	

**NOTE)**

1. VDD voltage must be less than 3.6V if the N-channel open-drain is selected for REM output type (ROTS=0).

## 11.7 Timer 2

### 11.7.1 Overview

The 16-bit timer 2 consists of multiplexer, timer 2 A data high/low register, timer 2 B data high/low register and timer 2 control high/low register (T2ADRH, T2ADRL, T2BDRH, T2BDRL, T2CRH, T2CRL).

It has four operating modes:

- 16-bit timer/counter mode
- 16-bit capture mode
- 16-bit PPG output mode (one-shot mode)
- 16-bit PPG output mode (repeat mode)

The timer/counter 2 can be clocked by an internal or an external clock source(EC2). The clock source is selected by clock selection logic which is controlled by the clock selection bits(T2CK[2:0]).

- TIMER2 clock source:  $f_x/1, 2, 4, 8, 64, 512, 2048$  and EC2

In timer/counter mode, whenever counter value is equal to T2ADRH/L, T2 match interrupt occurs.

T2EN	T2MS[1:0]	T2CK[2:0]	Timer 2
1	00	XXX	16 Bit Timer/Counter Mode
1	01	XXX	16 Bit Capture Mode
1	10	XXX	16 Bit PPG Mode (one-shot mode)
1	11	XXX	16 Bit PPG Mode (repeat mode)

**Table 40 Timer 2 Operating Modes**

### 11.7.2 16-bit Timer/Counter Mode

The 16-bit timer/counter mode is selected by control register as shown in Figure 11.20.

The 16-bit timer have counter and data register. The counter register is increased by internal or external clock input. Timer 2 can use the input clock with one of 1, 2, 4, 8, 64, 512 and 2048 prescaler division rates (T2CK[2:0]). When the values of T2CNTH/T2CNTL and T2ADRH/T2ADRL are identical in timer 2, a match signal is generated and the interrupt of Timer 2 occurs. T2CNTH/T2CNTL values are automatically cleared by match signal. It can be also cleared by software (T2CC).

The external clock (EC2) counts up the timer at the rising edge. If the EC2 is selected as a clock source by T2CK[2:0], EC2 port should be set to the input port by P40IO bit.

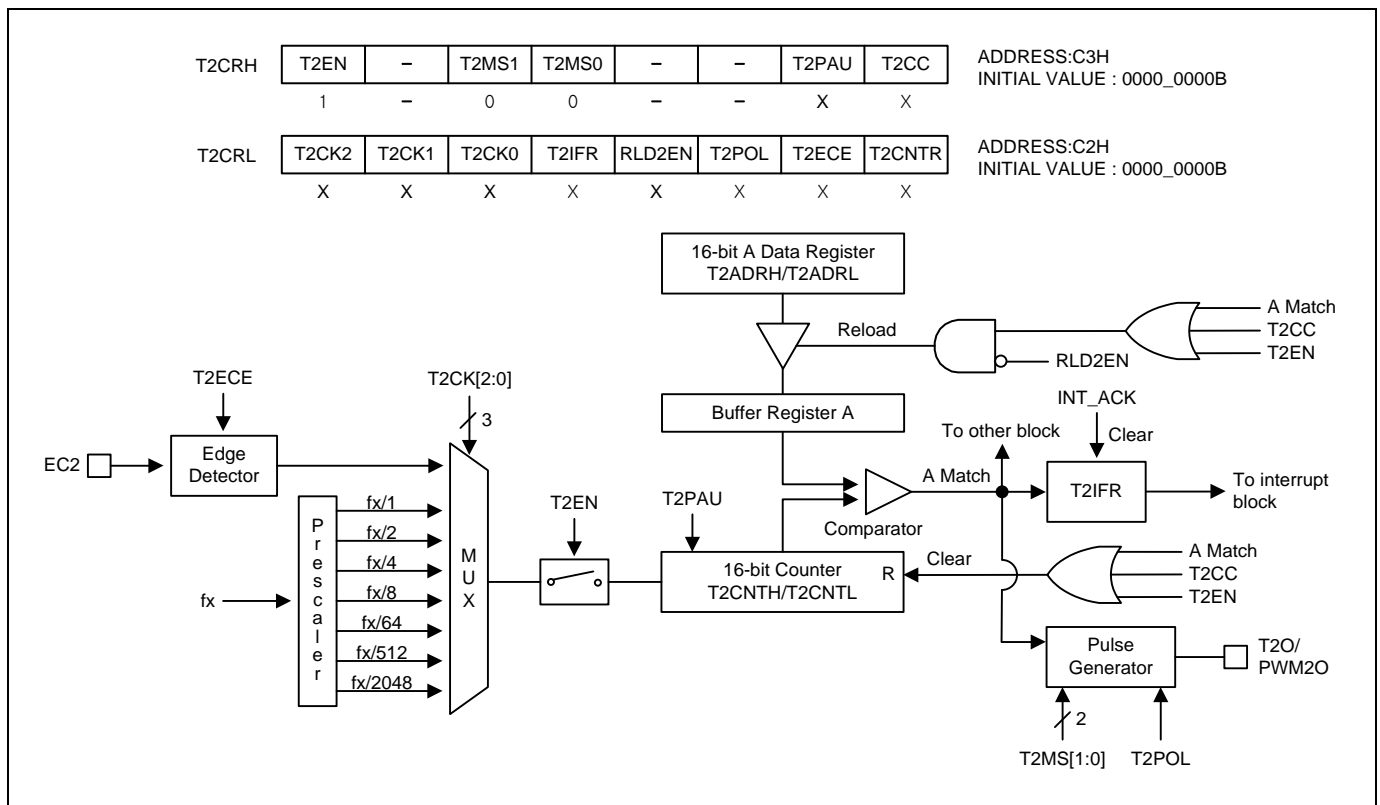


Figure 74 16-bit Timer/Counter Mode for Timer 2



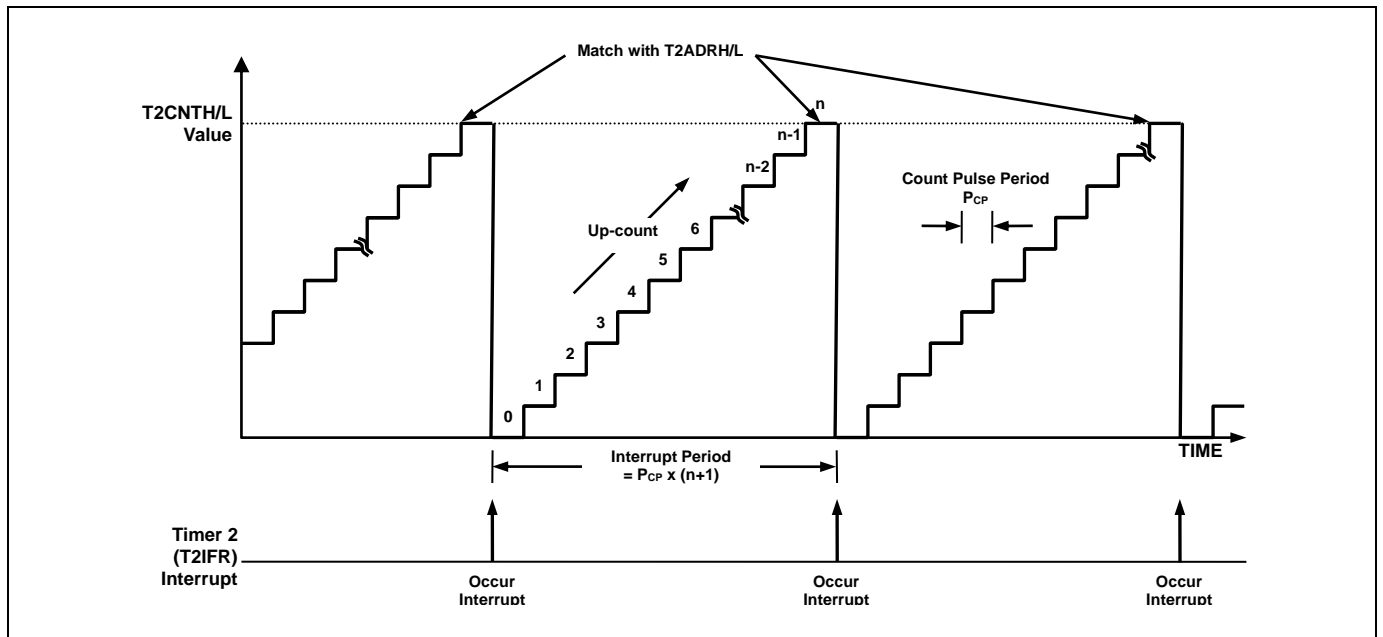


Figure 75 16-bit Timer/Counter 2

### 11.7.3 16-Bit Capture Mode

The 16-bit Timer 2 capture mode is set by T2MS[1:0] as '01'. The clock source can use the internal/external clock. Basically, it has the same function as the 16-bit timer/counter mode and the interrupt occurs when T2CNTH/T2CNTL is equal to T2ADRH/T2ADRL. The T2CNTH, T2CNTL values are automatically cleared by match signal. It can be also cleared by software (T2CC).

This timer interrupt in capture mode is very useful when the pulse width of captured signal is wider than the maximum period of timer.

The capture result is loaded into T2BDRH/T2BDRL.

According to EIPOL0 registers setting, the external interrupt EINT12 function is chosen. Of course, the EINT12 pin must be set as an input port.

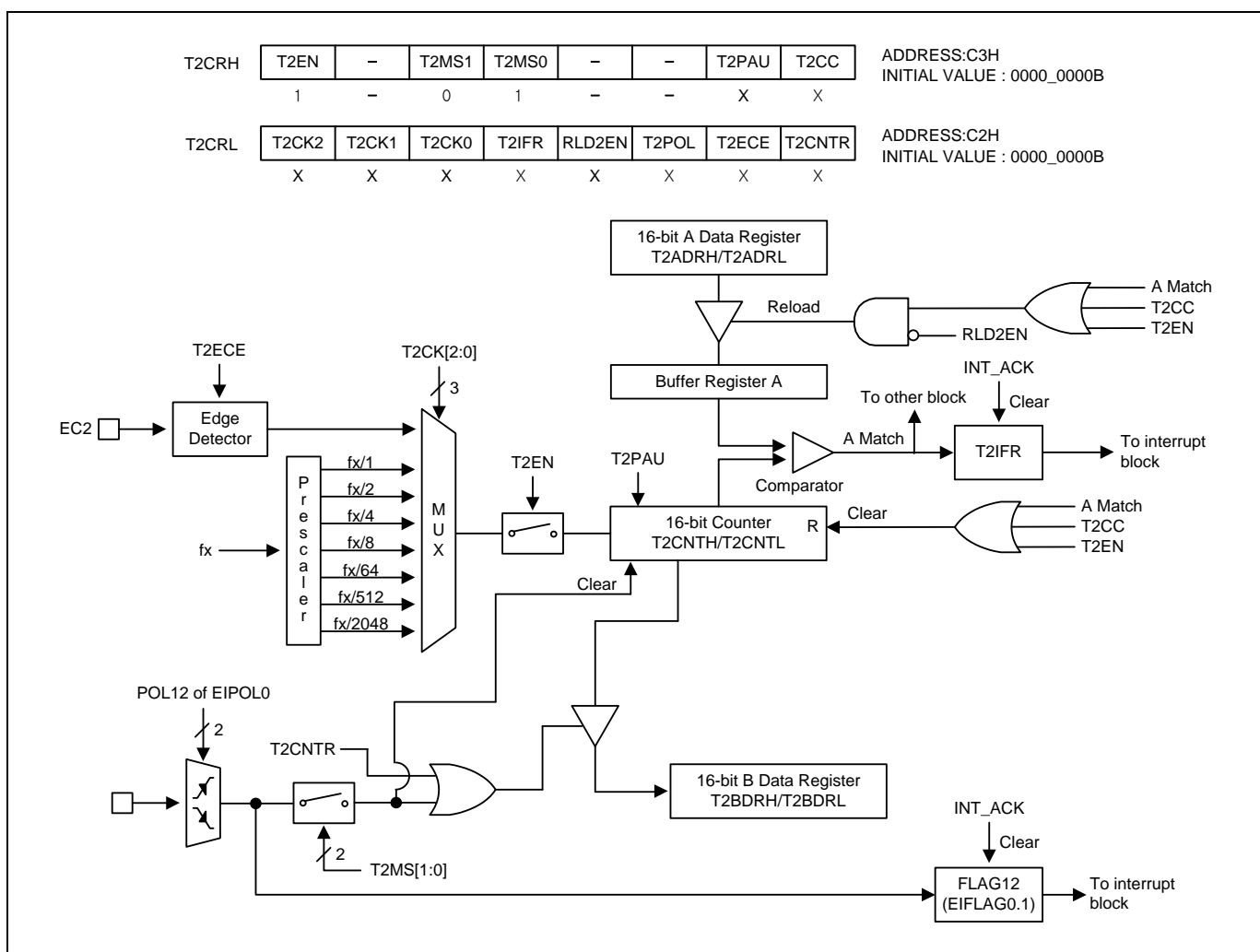


Figure 76 16-Bit Capture Mode for Timer 2

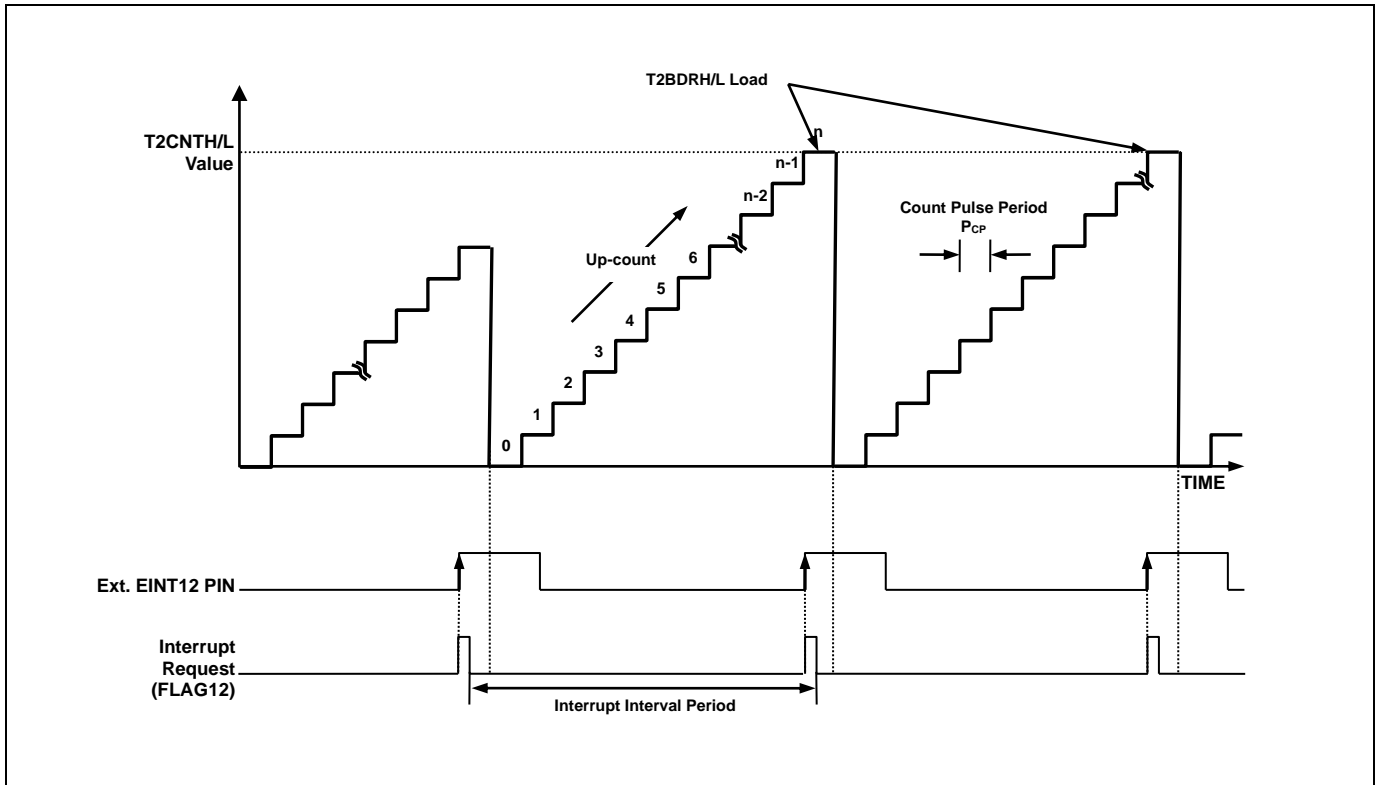


Figure 77 Input Capture Mode Operation for Timer 2

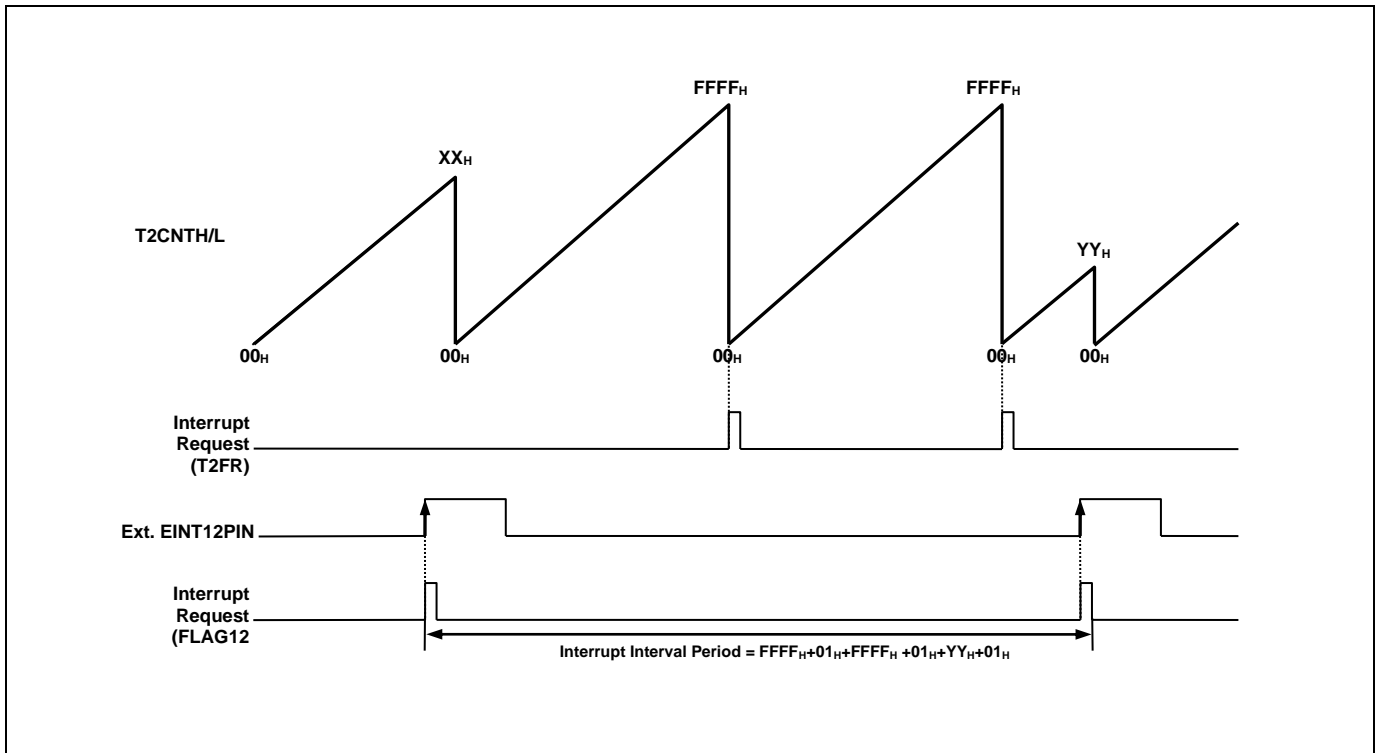


Figure 78 Express Timer Overflow in Capture Mode

11.7.4 16-Bit PPG Mode

The Timer 2 has a PPG (Programmable Pulse Generation) function. In PPG mode, T2O/PWM2O pin outputs up to 16-bit resolution PWM output. This pin should be configured as a PWM output by setting P3FSRL[5:4] to '01'. The period of the PWM output is determined by the T2ADRH/T2ADRL. And the duty of the PWM output is determined by the T2BDRH/T2BDRL.

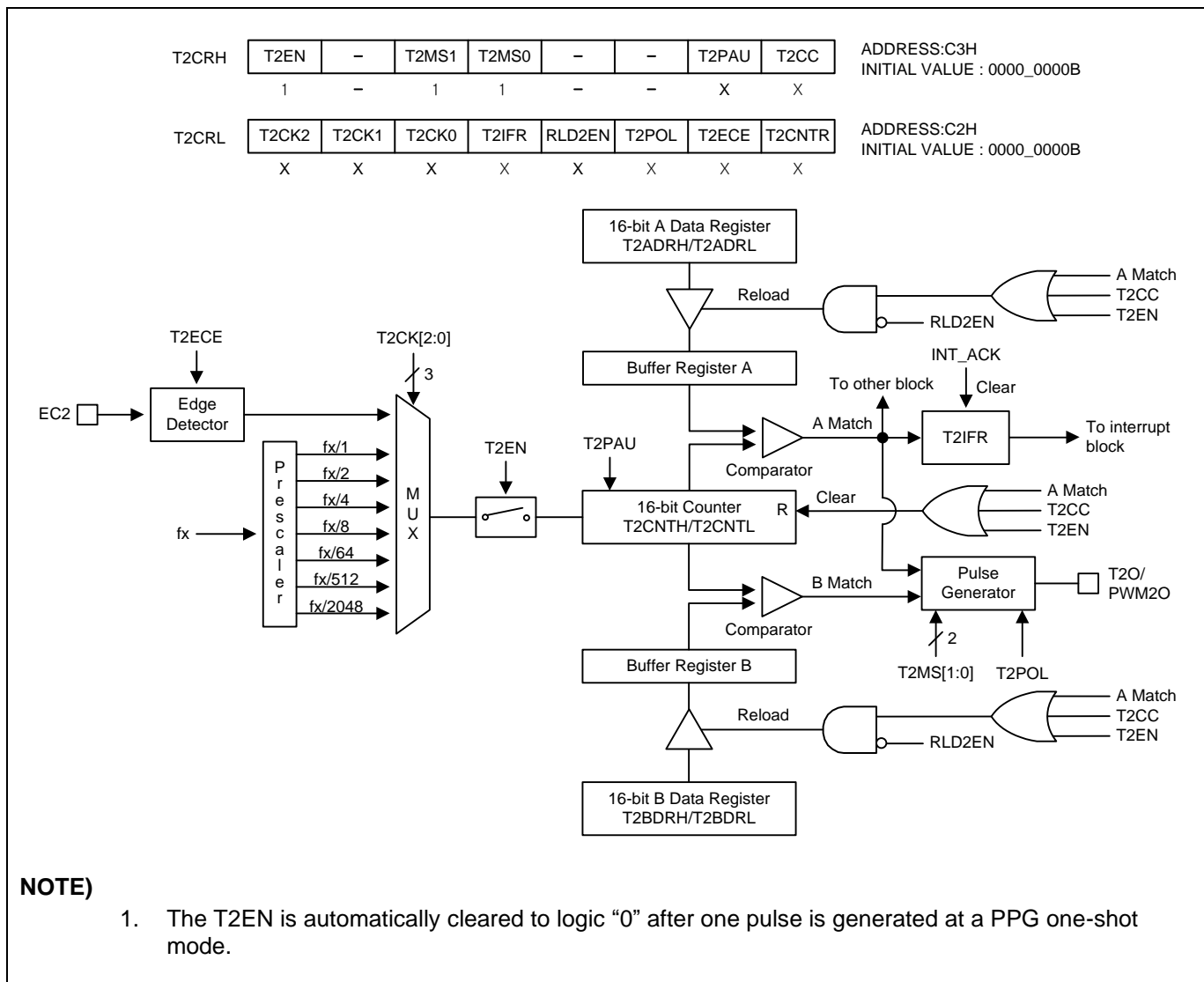


Figure 79 16-Bit PPG Mode for Timer 2

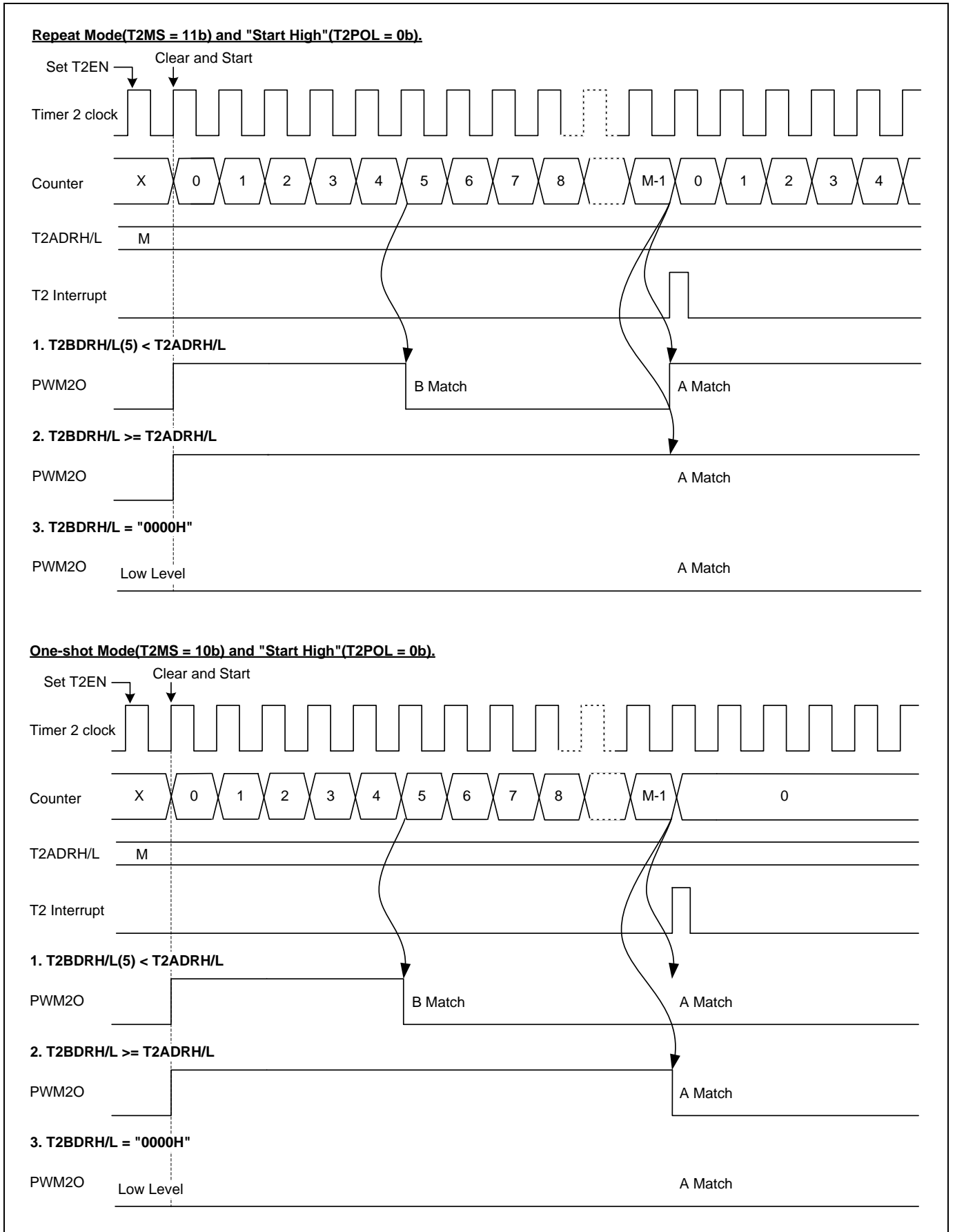


Figure 80 16-Bit PPG Mode Timing chart for Timer 2

11.7.5 Block Diagram

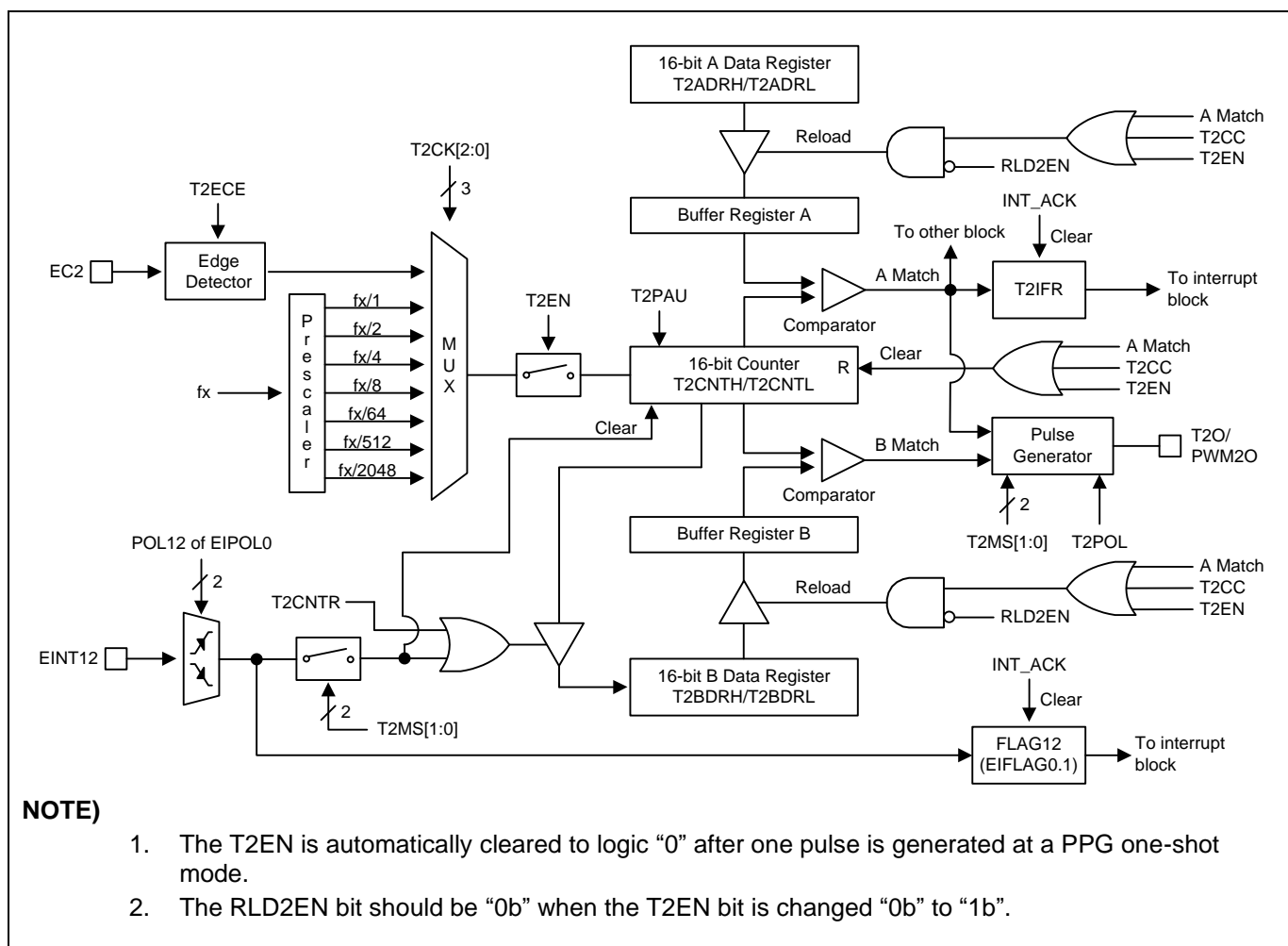


Figure 81 16-bit Timer 2 Block Diagram

11.7.6 Register Map

Name	Address	Direction	Default	Description
T2CRH	C3H	R/W	00H	Timer 2 Control High Register
T2CRL	C2H	R/W	00H	Timer 2 Control Low Register
T2ADRH	C5H	R/W	FFH	Timer 2 A Data High Register
T2ADRL	C4H	R/W	FFH	Timer 2 A Data Low Register
T2BDRH	C7H	R/W	FFH	Timer 2 B Data High Register
T2BDRL	C6H	R/W	FFH	Timer 2 B Data Low Register

Table 41 Timer 2 Register Map

### 11.7.7 Timer/Counter 2 Register Description

The timer/counter 2 register consists of timer 2 A data high register (T2ADRH), timer 2 A data low register (T2ADRL), timer 2 B data high register (T2BDRH), timer 2 B data low register (T2BDRL), timer 2 control High register (T2CRH) and timer 2 control low register (T2CRL).

### 11.7.8 Register Description for Timer/Counter 2

#### T2ADRH (Timer 2 A data High Register) : C5H

7	6	5	4	3	2	1	0
T2ADRH7	T2ADRH6	T2ADRH5	T2ADRH4	T2ADRH3	T2ADRH2	T2ADRH1	T2ADRH0
R/W	R/W	R/W	R/W	R/W	R/W	R/W	R/W

Initial value : FFH

T2ADRH[7:0] T2 A Data High Byte

#### T2ADRL (Timer 2 A Data Low Register) : C4H

7	6	5	4	3	2	1	0
T2ADRL7	T2ADRL6	T2ADRL5	T2ADRL4	T2ADRL3	T2ADRL2	T2ADRL1	T2ADRL0
R/W	R/W	R/W	R/W	R/W	R/W	R/W	R/W

Initial value : FFH

T2ADRL[7:0] T2 A Data Low Byte

#### T2BDRH (Timer 2 B Data High Register) : C7H

7	6	5	4	3	2	1	0
T2BDRH7	T2BDRH6	T2BDRH5	T2BDRH4	T2BDRH3	T2BDRH2	T2BDRH1	T2BDRH0
R/W	R/W	R/W	R/W	R/W	R/W	R/W	R/W

Initial value : FFH

T2BDRH[7:0] T2 B Data High Byte

#### T2BDRL (Timer 2 B Data Low Register) : C6H

7	6	5	4	3	2	1	0
T2BDRL7	T2BDRL6	T2BDRL5	T2BDRL4	T2BDRL3	T2BDRL2	T2BDRL1	T2BDRL0
R/W	R/W	R/W	R/W	R/W	R/W	R/W	R/W

Initial value : FFH

T2BDRL[7:0] T2 B Data Low

T2CRH (Timer 2 Control High Register) : C3H

7	6	5	4	3	2	1	0
T2EN	–	T2MS1	T2MS0	–	–	T2PAU	T2CC
R/W	–	R/W	R/W	–	–	R/W	R/W

Initial value : 00H

T2EN	Control Timer 2	
	0	Timer 2 disable
	1	Timer 2 enable (Counter clear and start)
T2MS[1:0]	Control Timer 2 Operation Mode	
	T2MS1	T2MS0 Description
	0	0 Timer/counter mode (T2O: toggle at A match)
	0	1 Capture mode (The A match interrupt can occur)
	1	0 PPG one-shot mode (PWM2O)
	1	1 PPG repeat mode (PWM2O)
T2PAU	Timer 2 Counter Temporary Pause Control	
	0	Continue counting
	1	Temporary pause
T2CC	Clear Timer 2 Counter	
	0	No effect
	1	Clear the Timer 2 counter (When write, automatically cleared "0" after being cleared counter)



## T2CRL (Timer 2 Control Low Register) : C2H

7	6	5	4	3	2	1	0
T2CK2	T2CK1	T2CK0	T2IFR	RLD2EN	T2POL	T2ECE	T2CNTR
R/W	R/W	R/W	R/W	R/W	R/W	R/W	R/W

Initial value : 00H

T2CK[2:0] Select Timer 2 clock source. fx is main system clock frequency

T2CK2	T2CK1	T2CK0	Description
0	0	0	fx/2048
0	0	1	fx/512
0	1	0	fx/64
0	1	1	fx/8
1	0	0	fx/4
1	0	1	fx/2
1	1	0	fx/1
1	1	1	External clock (EC2)

T2IFR When T2 Match Interrupt occurs, this bit becomes '1'. For clearing bit, write '0' to this bit or auto clear by INT\_ACK signal. Writing "1" has no effect.

0 T2 match interrupt no generation

1 T2 match interrupt generation

RLD2EN Control Timer 2 Reload Signal

0 Enable Timer 2 reload signal

1 Disable Timer 2 reload signal

T2POL T2O/PWM2O Polarity Selection

0 Start High (T2O/PWM2O is low level at disable)

1 Start Low (T2O/PWM2O is high level at disable)

T2ECE Timer 2 External Clock Edge Selection

0 External clock falling edge

1 External clock rising edge

T2CNTR Timer 2 Counter Read Control

0 No effect

1 Load the counter value to the B data register (When write, automatically cleared "0" after being loaded)

## 11.8 Timer 3

### 11.8.1 Overview

The 16-bit timer 3 consists of multiplexer, timer 3 A data high/low register(T3ADRH, T3ADRL), timer 3 B data high/low register(T3BDRH, T3BDRL) and timer 3 control high/low register (T3CRH, T3CRL).

It has four operating modes:

- 16-bit timer/counter mode
- 16-bit capture mode
- 16-bit PPG output mode (one-shot mode)
- 16-bit PPG output mode (repeat mode)

The timer/counter 3 can be divided clock of the system clock selectd from prescaler output and T1M (timer 1 match signal). The clock source is selected by clock selection logic which is controlled by the clock selection bits (T3CK[2:0]).

- TIMER3 clock source:  $f_x/1, 2, 4, 8, 64, 512, 2048$  and T1M

In the capture mode, by EINT13, the data is captured into input capture data register (T3BDRH/T3BDRL). In timer/counter mode, whenever counter value is equal to T3ADRH/L, T3 match interrupt occurs.

T3EN	T3MS[1:0]	T3CK[2:0]	Timer 3
1	00	XXX	16 Bit Timer/Counter Mode
1	01	XXX	16 Bit Capture Mode
1	10	XXX	16 Bit PPG Mode (one-shot mode)
1	11	XXX	16 Bit PPG Mode (repeat mode)

**Table 42 Timer 3 Operating Modes**

### 11.8.2 16-bit Timer/Counter Mode

The 16-bit timer/counter mode is selected by control register as shown in Figure 11.28

The 16-bit timer have counter and data register. The counter register is increased by internal or timer 1 match clock input. Timer 3 can use the input clock with one of 1, 2, 4, 8, 64, 512, 2048 and T1M prescaler division rates (T3CK[2:0]). When the values of T3CNTH/T3CNTL and T3ADRH/T3ADRL are identical in timer 3, a match signal is generated and the interrupt of Timer 3 occurs. The T3CNTH/T3CNTL values are automatically cleared by match signal. It can be also cleared by software (T3CC).

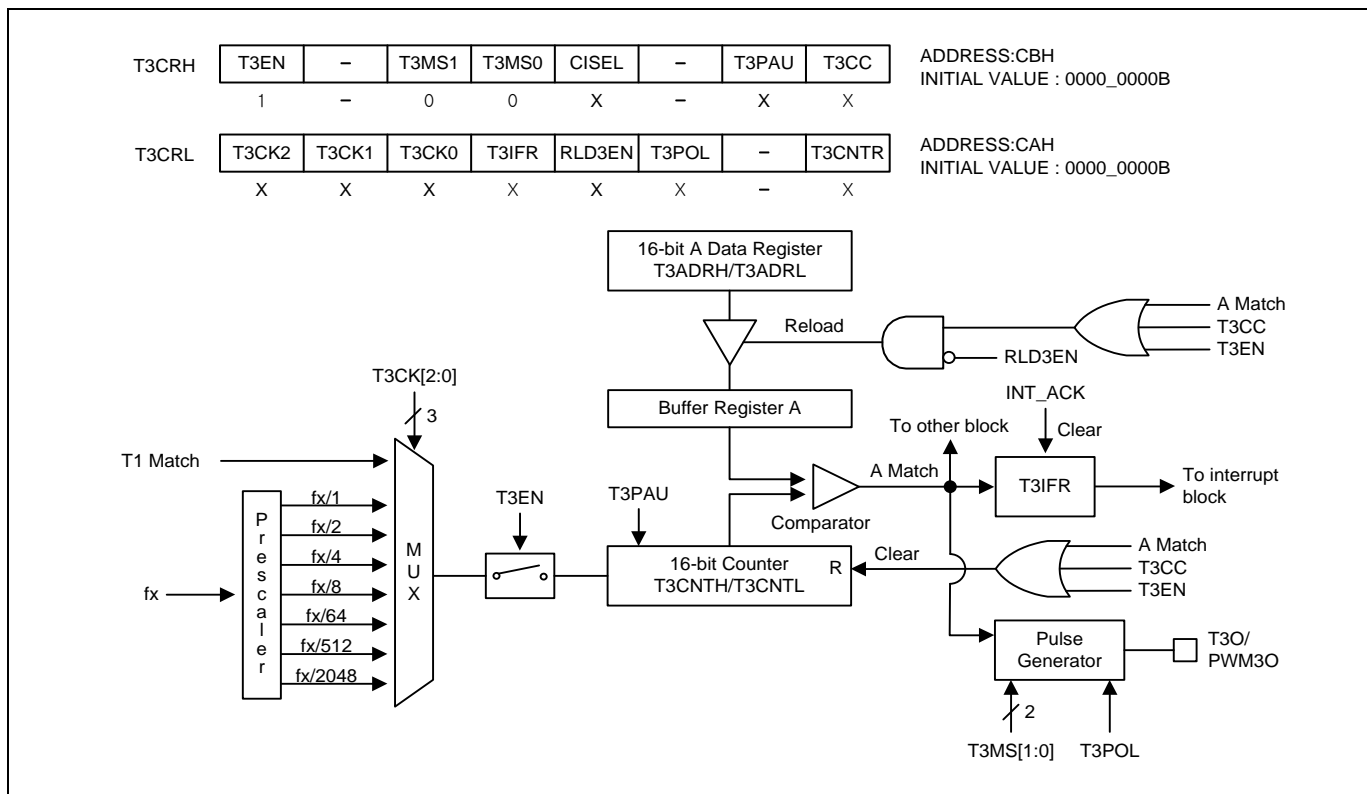


Figure 82 16-bit Timer/Counter Mode for Timer 3

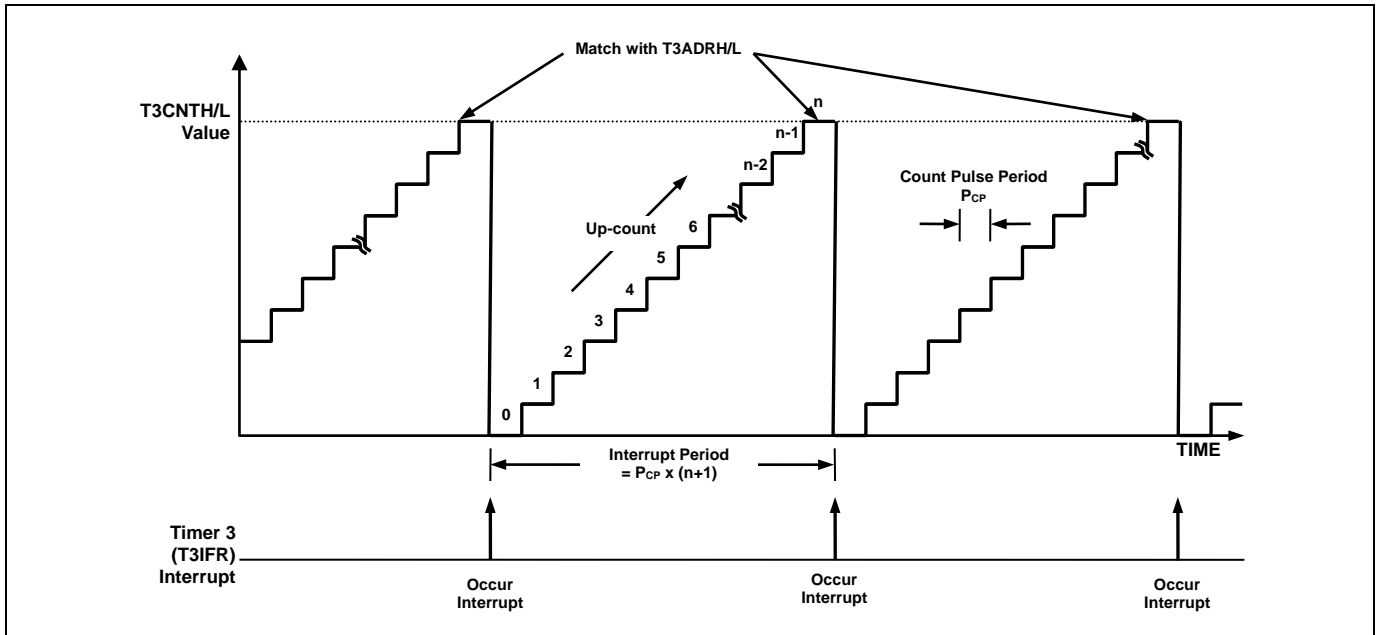


Figure 83 16-bit Timer/Counter 3 Example

### 11.8.3 16-Bit Capture Mode

The timer 3 capture mode is set by T3MS[1:0] as '01'. The clock source can use the internal clock. Basically, it has the same function as the 16-bit timer/counter mode and the interrupt occurs when T3CNTH/T3CNTL is equal to T3ADRH/T3ADRL. T3CNTH/T3CNTL values are automatically cleared by match signal and it can be also cleared by software (T3CC).

This timer interrupt in capture mode is very useful when the pulse width of captured signal is wider than the maximum period of timer.

The capture result is loaded into T3BDRH/T3BDRL.

According to CISEL setting of T3CRH register, the external interrupt EINT13 function or  $f_{LFIRC}$  is chosen. Of course, the EINT13 pin must be set to an input port or LFIRCE bit of OSCCR register must be "1".

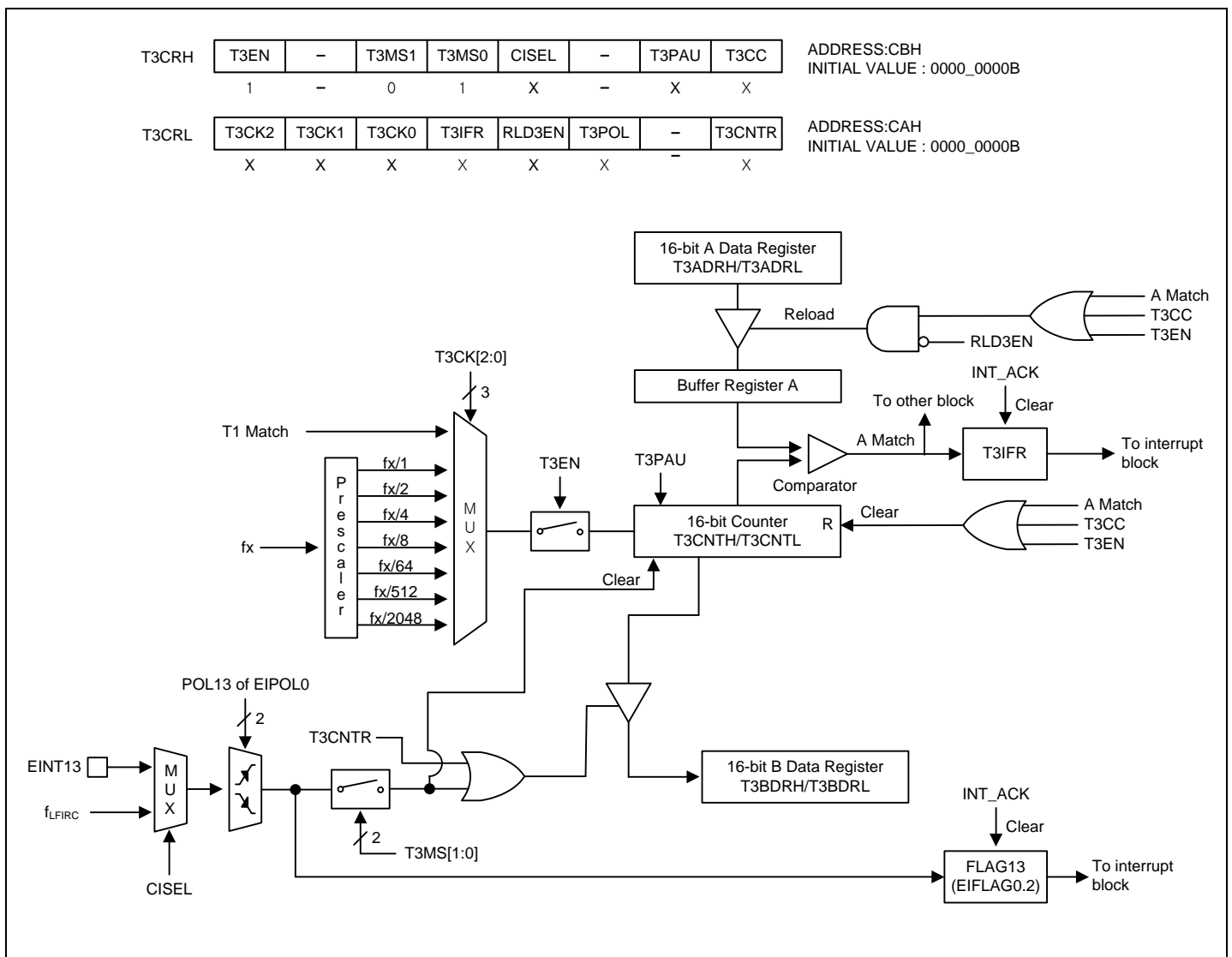


Figure 84 16-Bit Capture Mode for Timer 3

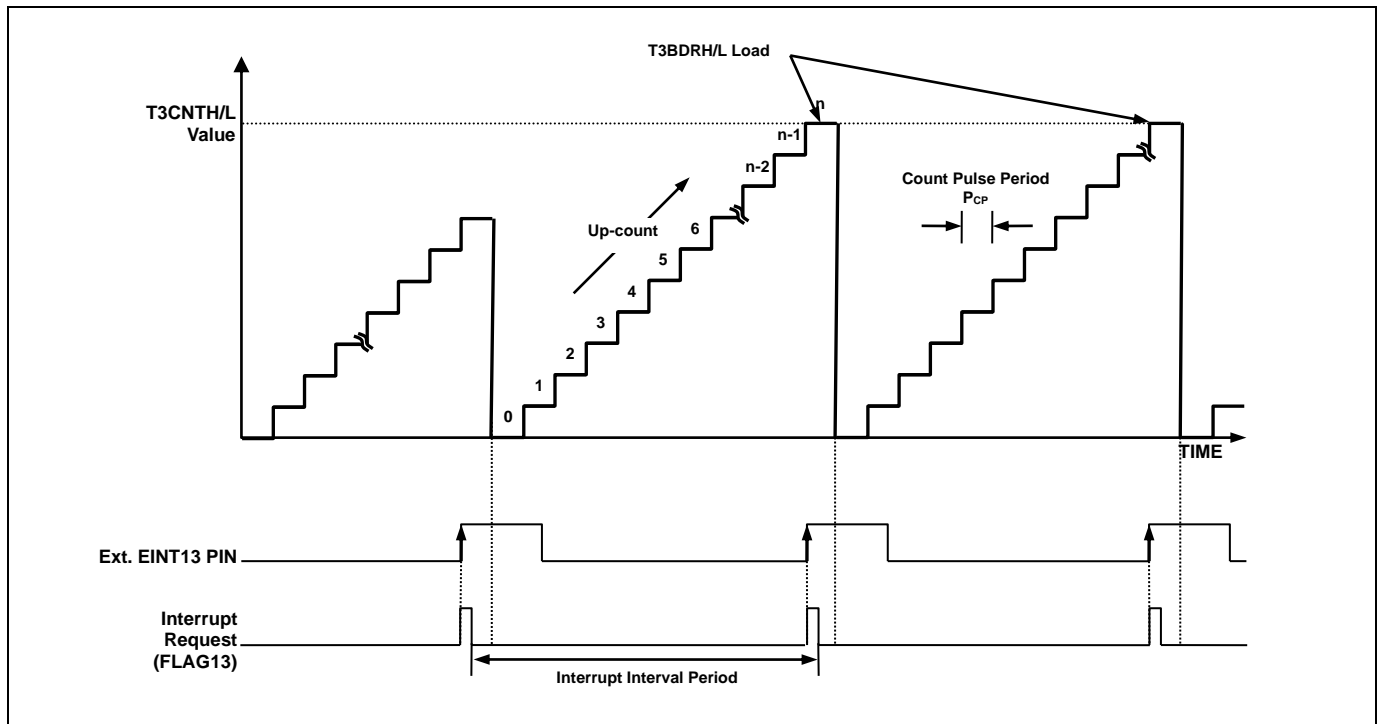


Figure 85 Input Capture Mode Operation for Timer 3

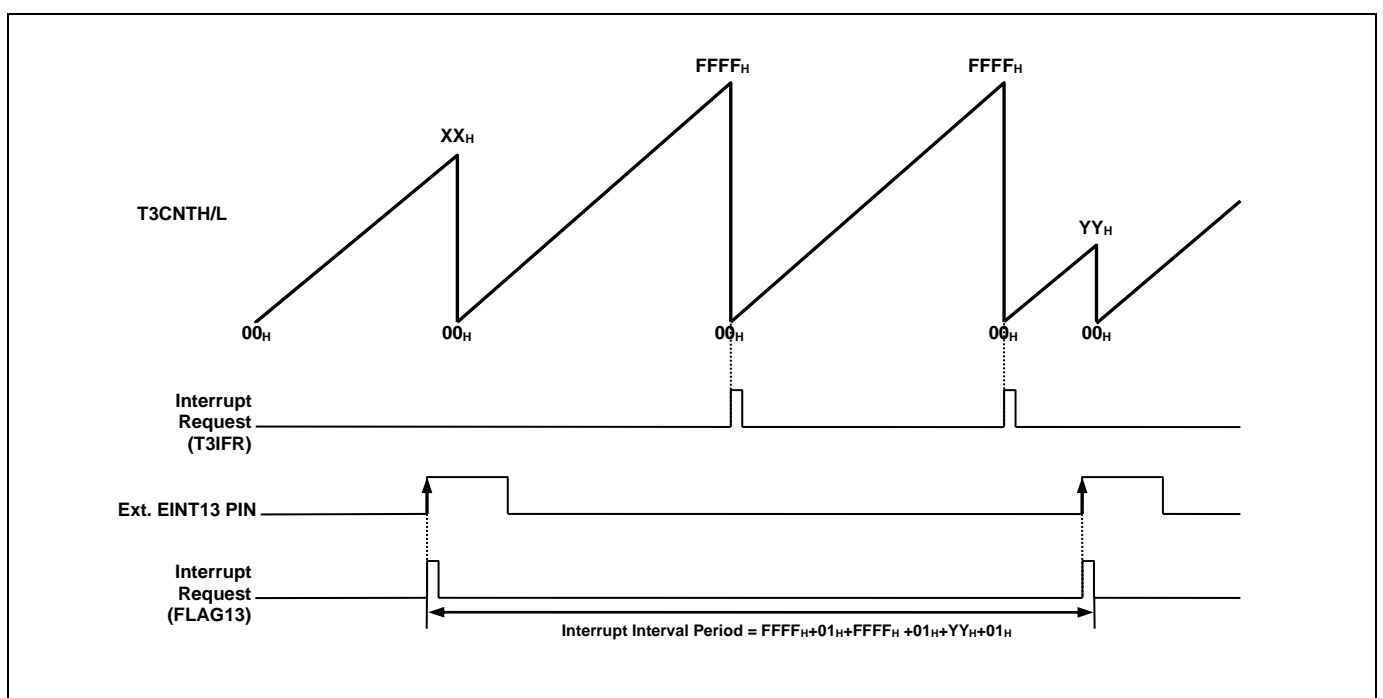


Figure 86 Express Timer Overflow in Capture Mode

11.8.4 16-Bit PPG Mode

The Timer 3 has a PPG (Programmable Pulse Generation) function. In PPG mode, T3O/PWM3O pin outputs up to 16-bit resolution PWM output. This pin should be configured as a PWM output by setting P3FSRH[1:0] to '01'. The period of the PWM output is determined by the T3ADRH/T3ADRL. And the duty of the PWM output is determined by the T3BDRH/T3BDRL.

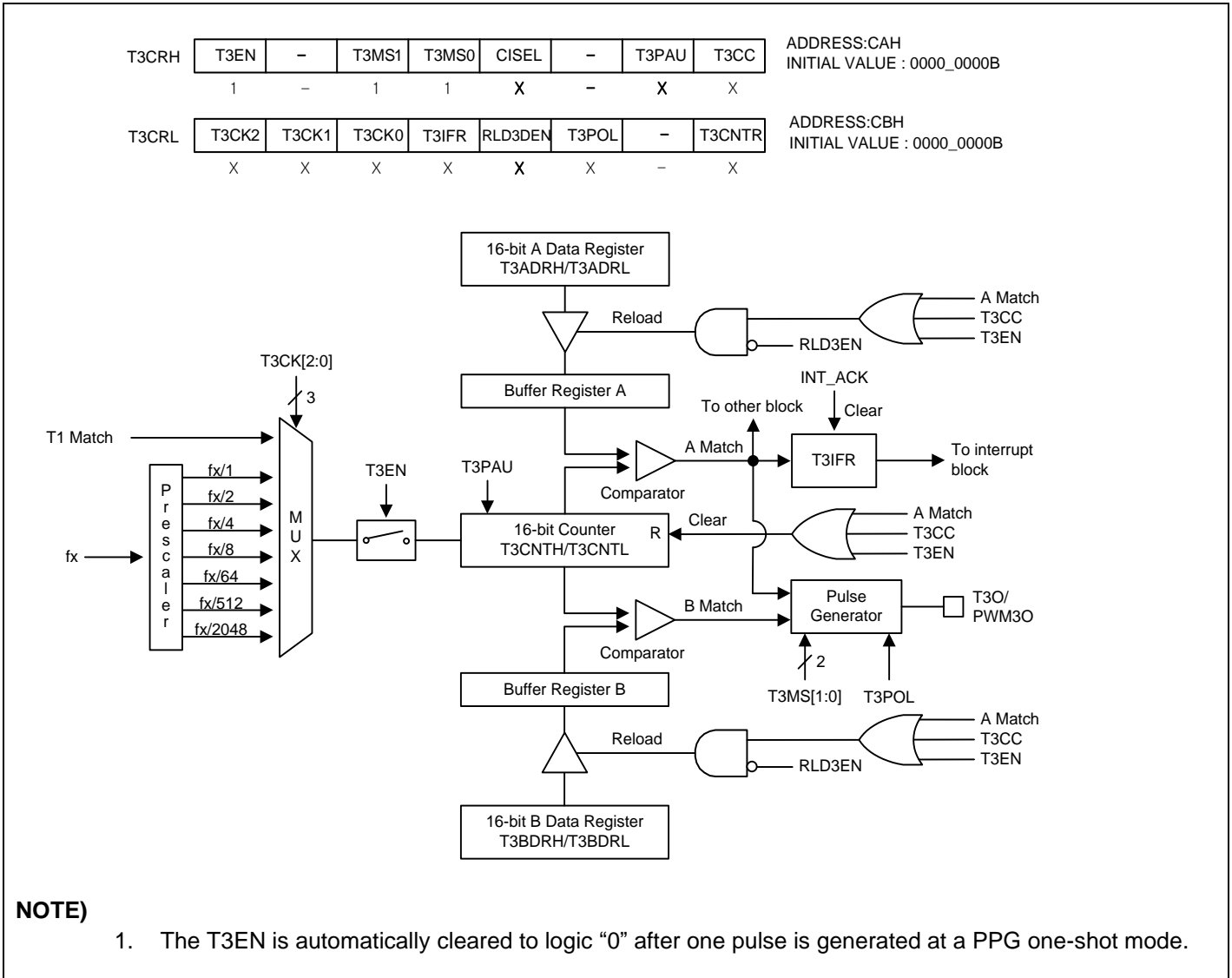


Figure 87 16-Bit PPG Mode for Timer 3

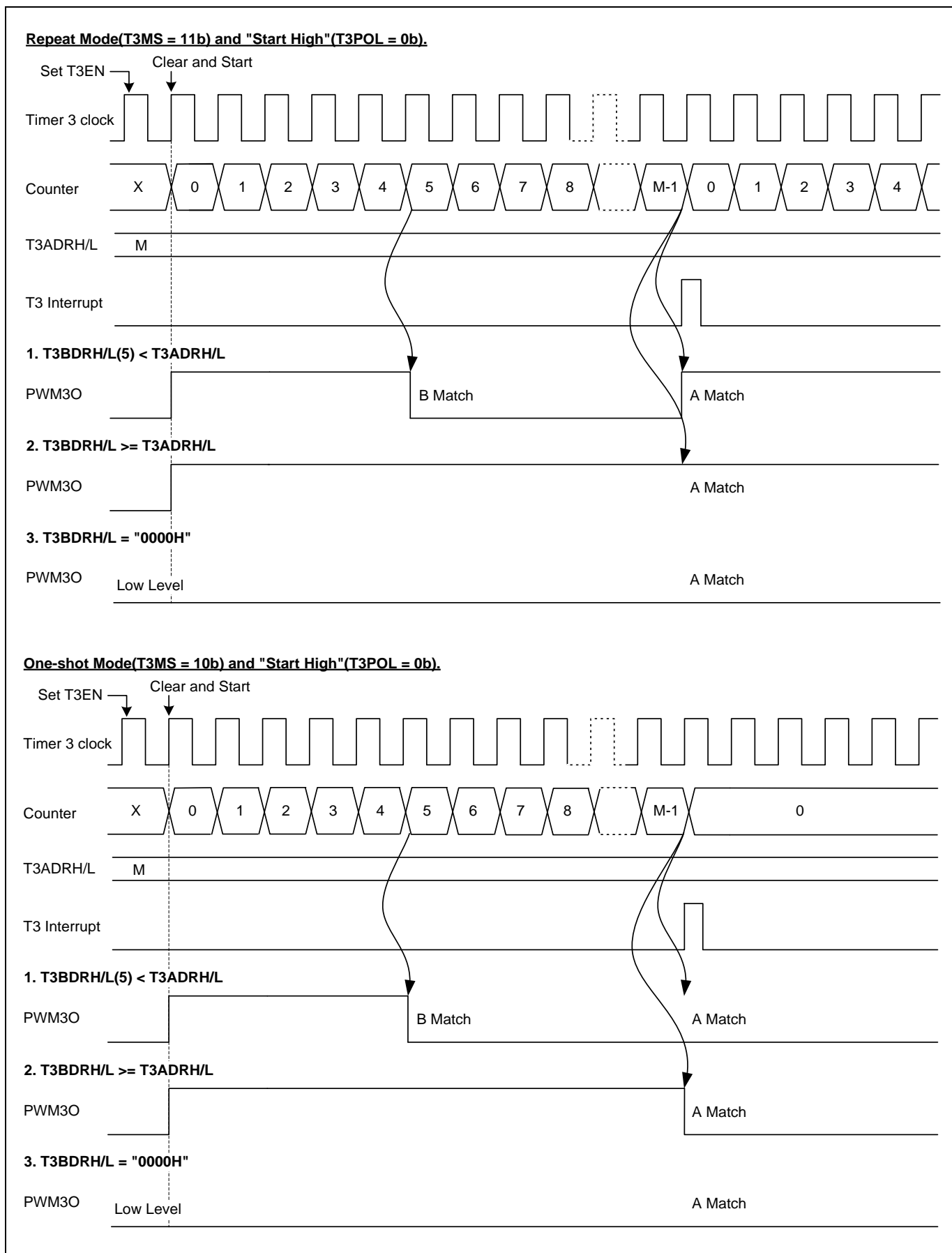


Figure 88 16-Bit PPG Mode Timing chart for Timer 3



11.8.5 Block Diagram

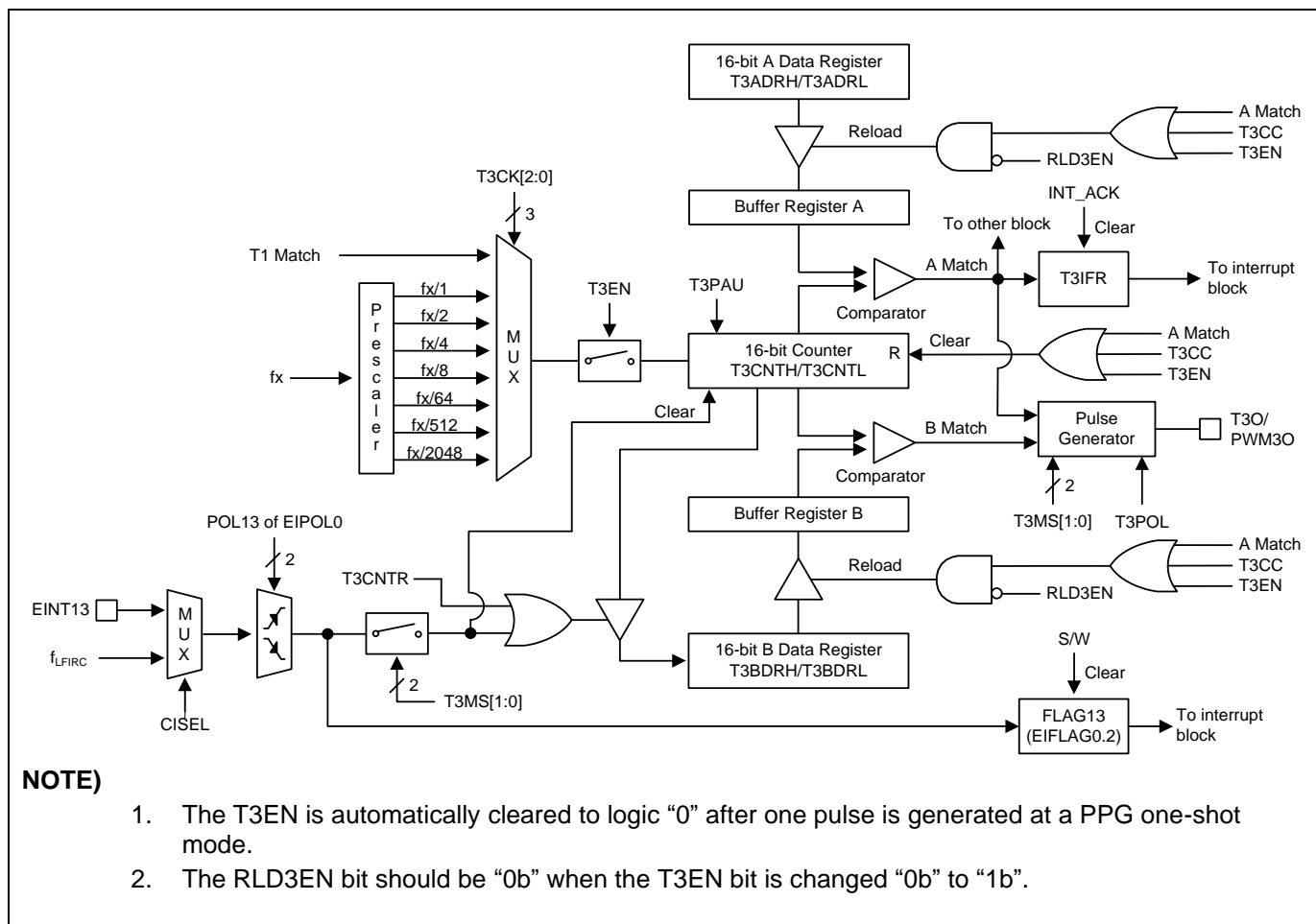


Figure 89 16-bit Timer 3 Block Diagram

11.8.6 Register Map

Name	Address	Direction	Default	Description
T3CRH	CBH	R/W	00H	Timer 3 Control High Register
T3CRL	CAH	R/W	00H	Timer 3 Control Low Register
T3ADRH	CDH	R/W	FFH	Timer 3 A Data High Register
T3ADRL	CCH	R/W	FFH	Timer 3 A Data Low Register
T3BDRH	CFH	R/W	FFH	Timer 3 B Data High Register
T3BDRL	CEH	R/W	FFH	Timer 3 B Data Low Register

Table 43 Timer 3 Register Map

### 11.8.7 Timer/Counter 3 Register Description

The timer/counter 3 register consists of timer 3 A data high register (T3ADRH), timer 3 A data low register (T3ADRL), timer 3 B data high register (T3BDRH), timer 3 B data low register (T3BDRL), timer 3 control high register (T3CRH) and timer 3 control low register (T3CRL).

### 11.8.8 Register Description for Timer/Counter 3

#### T3ADRH (Timer 3 A data High Register) : CDH

7	6	5	4	3	2	1	0
T3ADRH7	T3ADRH6	T3ADRH5	T3ADRH4	T3ADRH3	T3ADRH2	T3ADRH1	T3ADRH0
R/W	R/W	R/W	R/W	R/W	R/W	R/W	R/W

Initial value : FFH

T3ADRH[7:0] T3 A Data High Byte

#### T3ADRL (Timer 3 A Data Low Register) : CCH

7	6	5	4	3	2	1	0
T3ADRL7	T3ADRL6	T3ADRL5	T3ADRL4	T3ADRL3	T3ADRL2	T3ADRL1	T3ADRL0
R/W	R/W	R/W	R/W	R/W	R/W	R/W	R/W

Initial value : FFH

T3ADRL[7:0] T3 A Data Low Byte

**NOTE)**

1. Do not write "0000H" in the T3ADRH/T3ADRL register when PPG mode.

#### T3BDRH (Timer 3 B Data High Register) : CFH

7	6	5	4	3	2	1	0
T3BDRH7	T3BDRH6	T3BDRH5	T3BDRH4	T3BDRH3	T3BDRH2	T3BDRH1	T3BDRH0
R/W	R/W	R/W	R/W	R/W	R/W	R/W	R/W

Initial value : FFH

T3BDRH[7:0] T3 B Data High Byte

#### T3BDRL (Timer 3 B Data Low Register) : CEH

7	6	5	4	3	2	1	0
T3BDRL7	T3BDRL6	T3BDRL5	T3BDRL4	T3BDRL3	T3BDRL2	T3BDRL1	T3BDRL0
R/W	R/W	R/W	R/W	R/W	R/W	R/W	R/W

Initial value : FFH

T3BDRL[7:0] T3 B Data Low

T3CRH (Timer 3 Control High Register) : CBH

7	6	5	4	3	2	1	0
T3EN	–	T3MS1	T3MS0	CISEL	–	T3PAU	T3CC
R/W	–	R/W	R/W	R/W	–	R/W	R/W

Initial value : 00H

T3EN	Control Timer 3	
	0	Timer 3 disable
	1	Timer 3 enable (Counter clear and start)
T3MS[1:0]	Control Timer 3 Operation Mode	
	T3MS1	T3MS0 Description
	0	0 Timer/counter mode (T3O: toggle at A match)
	0	1 Capture mode (The A match interrupt can occur)
	1	0 PPG one-shot mode (PWM3O)
	1	1 PPG repeat mode (PWM3O)
CISEL	Select Capture Input	
	0	EINT13
	1	f <sub>LFIRC</sub>
T3PAU	Timer 3 Counter Temporary Pause Control	
	0	Continue counting
	1	Temporary pause
T3CC	Clear Timer 3 Counter	
	0	No effect
	1	Clear the Timer 3 counter (When write, automatically cleared “0” after being cleared counter)

**T3CRL (Timer 3 Control Low Register) : CAH**

7	6	5	4	3	2	1	0
T3CK2	T3CK1	T3CK0	T3IFR	RLD3EN	T3POL	–	T3CNTR
R/W	R/W	R/W	R/W	R/W	R/W	–	R/W

Initial value : 00H

T3CK[2:0] Select Timer 3 clock source. fx is main system clock frequency

T3CK2 T3CK1 T3CK0 Description

0 0 0 fx/2048

0 0 1 fx/512

0 1 0 fx/64

0 1 1 fx/8

1 0 0 fx/4

1 0 1 fx/2

1 1 0 fx/1

1 1 1 T1M

T3IFR When T3 Match Interrupt occurs, this bit becomes '1'. For clearing bit, write '0' to this bit or auto clear by INT\_ACK signal. Writing "1" has no effect.

0 T3 match interrupt no generation

1 T3 match interrupt generation

RLD3EN Control Timer 3 Reload Signal

0 Enable Timer 3 reload signal

1 Disable Timer 3 reload signal

T3POL T3O/PWM3O Polarity Selection

0 Start High (T3O/PWM3O is low level at disable)

1 Start Low (T3O/PWM3O is high level at disable)

T3CNTR Timer 3 Counter Read Control

0 No effect

1 Load the counter value to the B data register (When write, automatically cleared "0" after being loaded)

## 11.9 16-bit Interval Timer

### 11.9.1 Overview

The 16-bit interval timer consists of multiplexer, interval timer data register high/low and interval timer control register high/low (ITDRH, ITDRL, ITCRH, ITCRL).

The interval timer clock source is selected by the clock selection bits (CKSEL[1:0]), and the clock source can be divided by 1, 2, 4, 8, 64, 512 or 2048 by CKDIV[2:0].

- 16-bit Interval Timer clock source:  $f_{L\text{FIRC}}$ ,  $f_{\text{SUB}}$ ,  $f_{\text{H\text{FIRC}}}$ , and  $f_{\text{XIN}}$

The 16-bit interval timer have counter and data register. The counter register is increased by internal clock input. When the value of ITCNTH, ITCNTL and the value of ITDRH, ITDRL are identical in 16-bit Interval Timer respectively, a match signal is generated and the interrupt occurs. The ITCNTH, ITCNTL value is automatically cleared by match signal. It can be also cleared by software (ITCC).

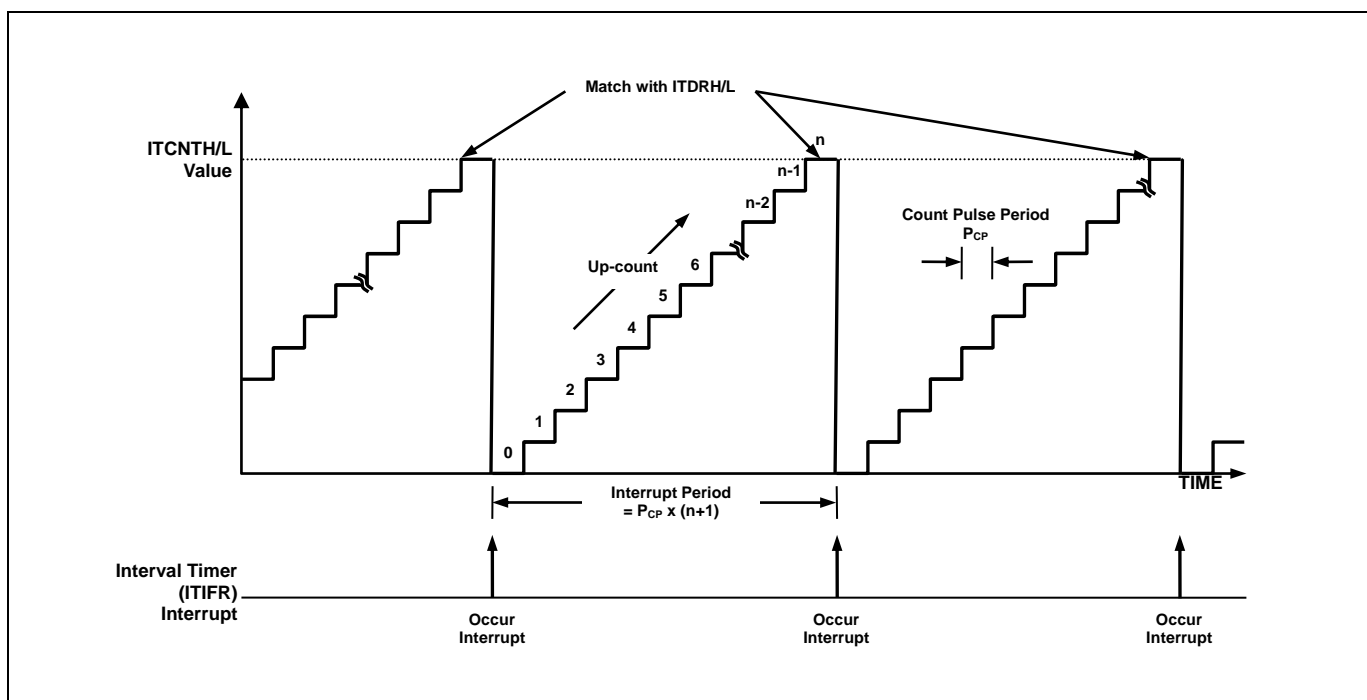


Figure 90 16-Bit Interval Timer Example

### 11.9.2 Block Diagram

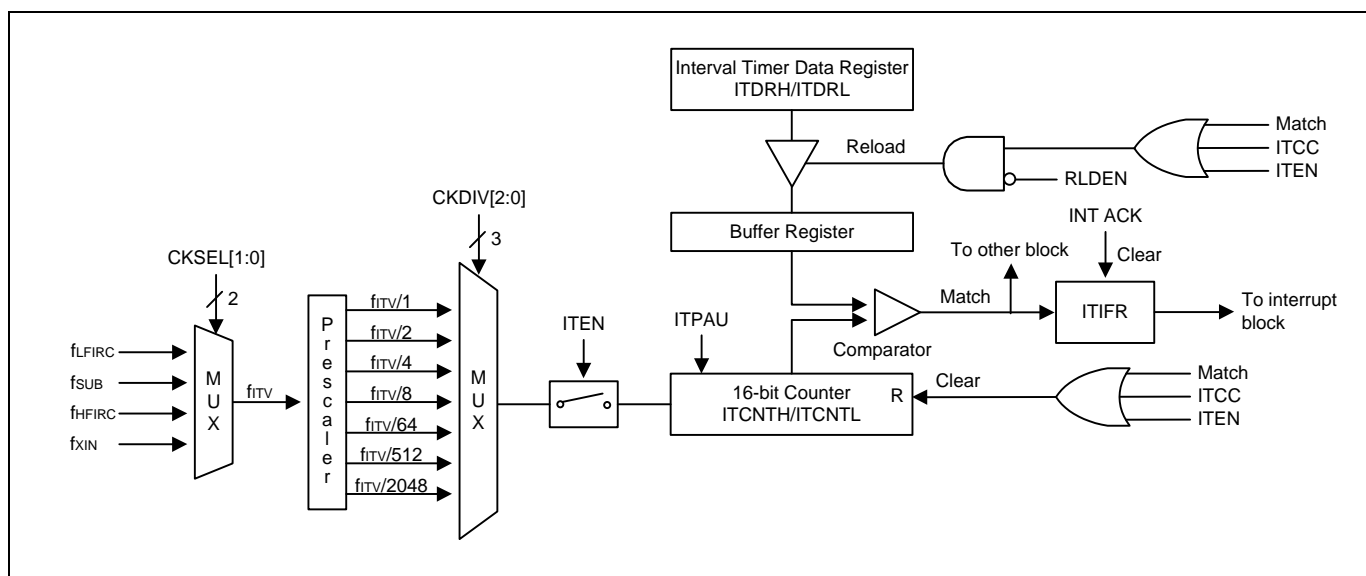


Figure 91 16-Bit Interval Timer Block Diagram

### 11.9.3 Register Map

Name	Address	Dir	Default	Description
ITCRH	B6H	R/W	00H	Interval Timer Control High Register
ITCRL	B5H	R/W	00H	Interval Timer Control Low Register
ITDRH	AEH	R/W	FFH	Interval Timer Data High Register
ITDRL	ADH	R/W	FFH	Interval Timer Data Low Register

Table 44 16-bit Interval Timer Register Map

### 11.9.4 16-bit Interval Timer Register Description

The 16-bit Interval timer register consists of Interval timer data high register (ITDRH), Interval timer data low register (ITDRL), Interval timer control high register (ITCRH) and Interval timer control low register (ITCRL).

### 11.9.5 Register Description for 16-bit Interval Timer

#### ITDRH (Interval Timer Data High Register) : AEH

7	6	5	4	3	2	1	0
ITDRH7	ITDRH6	ITDRH5	ITDRH4	ITDRH3	ITDRH2	ITDRH1	ITDRH0
R/W	R/W	R/W	R/W	R/W	R/W	R/W	R/W

Initial value : FFH

ITDRH[7:0] Interval Timer Data High Byte

#### ITDRL (Interval Timer Data Low Register) : ADH

7	6	5	4	3	2	1	0
ITDRL7	ITDRL6	ITDRL5	ITDRL4	ITDRL3	ITDRL2	ITDRL1	ITDRL0
R/W	R/W	R/W	R/W	R/W	R/W	R/W	R/W

Initial value : FFH

ITDRL[7:0] Interval Timer Data Low Byte

**NOTE)**

1. Do not write "0000H" in the ITDRH/ITDRL register when PPG mode

**ITCRH (Interval Timer Control High Register) : B6H**

7	6	5	4	3	2	1	0
ITEN	–	–	–	–	–	ITPAU	ITCC
R/W	–	–	–	–	–	R/W	R/W

Initial value : 00H

- ITEN            Control Interval Timer
  - 0            Interval Timer disable
  - 1            Interval Timer enable (Counter clear and start)
- ITPAU        Interval Timer Counter Temporary Pause Control
  - 0            Continue counting
  - 1            Temporary pause
- ITCC         Clear Interval Timer Counter
  - 0            No effect
  - 1            Clear the Interval Timer counter (When write, automatically cleared "0" after being cleared counter)



## ITCRL (Interval Timer Control Low Register) : B5H

7	6	5	4	3	2	1	0
CKDIV2	CKDIV1	CKDIV0	ITIFR	RLDEN	–	CKSEL1	CKSEL0
R/W	R/W	R/W	R/W	R/W	–	R/W	R/W

Initial value : 00H

CKDIV[2:0] Interval Timer Clock Divider.

CKDIV2	CKDIV1	CKDIV0	Description
0	0	0	$f_{ITV}/2048$
0	0	1	$f_{ITV}/512$
0	1	0	$f_{ITV}/64$
0	1	1	$f_{ITV}/8$
1	0	0	$f_{ITV}/4$
1	0	1	$f_{ITV}/2$
1	1	0	$f_{ITV}/1$
1	1	1	Not used

ITIFR When Interval Timer Interrupt occurs, this bit becomes '1'. For clearing bit, write '0' to this bit or auto clear by INT\_ACK signal. Writing "1" has no effect.

0 Interval Timer Interrupt no generation

1 Interval Timer Interrupt generation

RLDEN Control Interval Timer Reload Signal

0 Enable Interval Timer reload signal

1 Disable Interval Timer reload signal

CKSEL[1:0] Select Interval Timer Clock

CKSEL1	CKSEL0	Description
0	0	$f_{LFIRC}$
0	1	$f_{SUB}$
1	0	$f_{HFIRC}$
1	1	$f_{XIN}$

## 11.10 Buzzer Driver

### 11.10.1 Overview

The Buzzer consists of 8 bit counter, buzzer data register (BUZDR) and buzzer control register (BUZCR). The Square Wave (61.035Hz~125.0 kHz @8MHz) is outputted through P35/BUZO pin. The buzzer data register (BUZDR) controls the buzzer frequency (look at the following expression). In buzzer control register (BUZCR), BUCK[1:0] selects source clock divided by prescaler.

$$f_{BUZ} \text{ (Hz)} = \frac{\text{Oscillator Frequency}}{2 \times \text{PrescalerRatio} \times (\text{BUZDR} + 1)}$$

BUZDR[7:0]	Buzzer Frequency (kHz)			
	BUZCR[2:1]=00	BUZCR[2:1]=01	BUZCR[2:1]=10	BUZCR[2:1]=11
0000_0000	125kHz	62.5kHz	31.25kHz	15.625kHz
0000_0001	62.5kHz	31.25kHz	15.625kHz	7.812kHz
...	...	...	...	...
1111_1101	492.126Hz	246.063Hz	123.031Hz	61.515Hz
1111_1110	490.196Hz	245.098Hz	122.549Hz	61.274Hz
1111_1111	488.281Hz	244.141Hz	122.07Hz	61.035Hz

Table 45 Buzzer Frequency at 8 MHz

### 11.10.2 Block Diagram

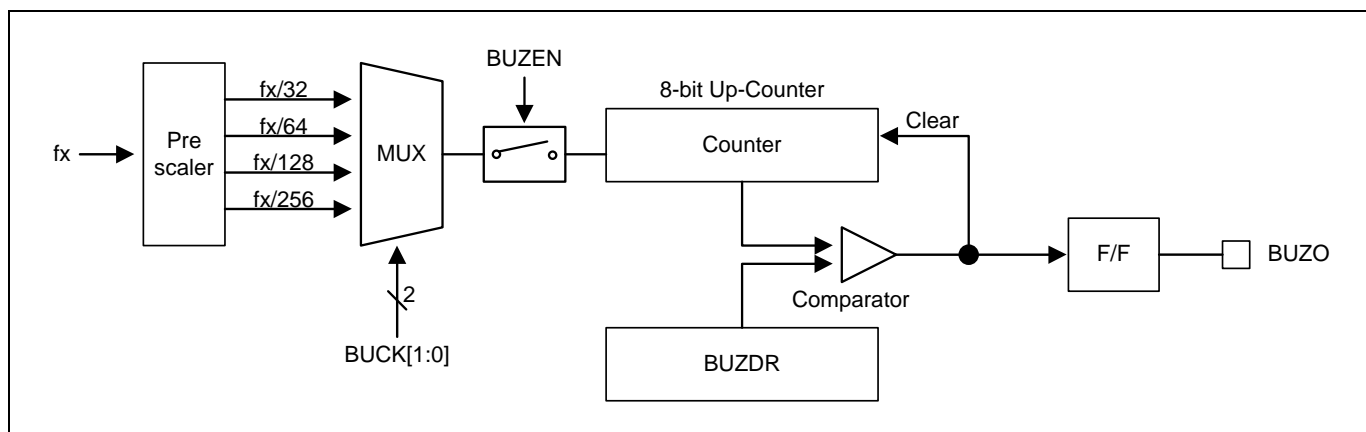


Figure 92 Buzzer Driver Block Diagram

### 11.10.3 Register Map

Name	Address	Direction	Default	Description
BUZDR	8FH	R/W	FFH	BUZZER Data Register
BUZCR	97H	R/W	00H	BUZZER Control Register

**Table 46 Buzzer Driver Register Map**

### 11.10.4 Buzzer Driver Register Description

Buzzer driver consists of buzzer data register (BUZDR) and buzzer control register (BUZCR).

### 11.10.5 Register Description for Buzzer Driver

#### BUZDR (Buzzer Data Register) : 8FH

7	6	5	4	3	2	1	0
BUZDR7	BUZDR6	BUZDR5	BUZDR4	BUZDR3	BUZDR2	BUZDR1	BUZDR0
R/W	R/W	R/W	R/W	R/W	R/W	R/W	R/W

Initial value : FFH

BUZDR[7:0] This bits control the Buzzer frequency  
Its resolution is 00H ~ FFH

#### BUZCR (Buzzer Control Register) : 97H

7	6	5	4	3	2	1	0
–	–	–	–	–	BUCK1	BUCK0	BUZEN
–	–	–	–	–	R/W	R/W	R/W

Initial value : 00H

BUCK[1:0] Buzzer Driver Source Clock Selection

BUCK1	BUCK0	Description
0	0	fx/32
0	1	fx/64
1	0	fx/128
1	1	fx/256

BUZEN Buzzer Driver Operation Control

BUZEN	Description
0	Buzzer Driver disable
1	Buzzer Driver enable

#### NOTE)

1. fx is the System clock oscillation frequency.

## 11.11 12-bit A/D Converter

### 11.11.1 Overview

The analog-to-digital converter (A/D) allows conversion of an analog input signal to corresponding 12-bit digital value. The A/D module has 5 analog inputs. The output of the multiplexer is the input into the converter which generates the result through successive approximation. The A/D module has four registers which are the A/D converter control high register (ADCCRH), A/D converter control low register (ADCCRL), A/D converter data high register (ADCDRH) and A/D converter data low register (ADCDRL). The channels to be converted are selected by setting ADSEL[3:0]. To execute A/D conversion, ADST bit should be set to '1'. The register ADCDRH and ADCDRL contains the results of the A/D conversion. When the conversion is completed, the result is loaded into the ADCDRH and ADCDRL, the A/D conversion status bit AFLAG is set to '1' and the A/D interrupt is set. During A/D conversion, AFLAG bit is read as '0'.

### 11.11.2 Conversion Timing

The A/D conversion process requires 4 steps (4 clock edges) to convert each bit and 10 clocks to set up A/D conversion. Therefore, total of 58 clocks are required to complete a 12-bit conversion: When  $f_x/4$  is selected for conversion clock with a 8MHz  $f_x$  clock frequency, one clock cycle is 0.5  $\mu$ s. Each bit conversion requires 4 clocks, the conversion rate is calculated as follows:

$$\begin{aligned} 4 \text{ clocks/bit} \times 12 \text{ bits} + \text{set-up time} &= 58 \text{ clocks,} \\ 58 \text{ clock} \times 0.5 \mu\text{s} &= 29.0 \mu\text{s at 2.0 MHz (8 MHz/4)} \end{aligned}$$

#### NOTE)

1. The A/D converter needs at least 20  $\mu$ s for conversion time. So you must set the conversion time more than 20  $\mu$ s.

11.11.3 Block Diagram

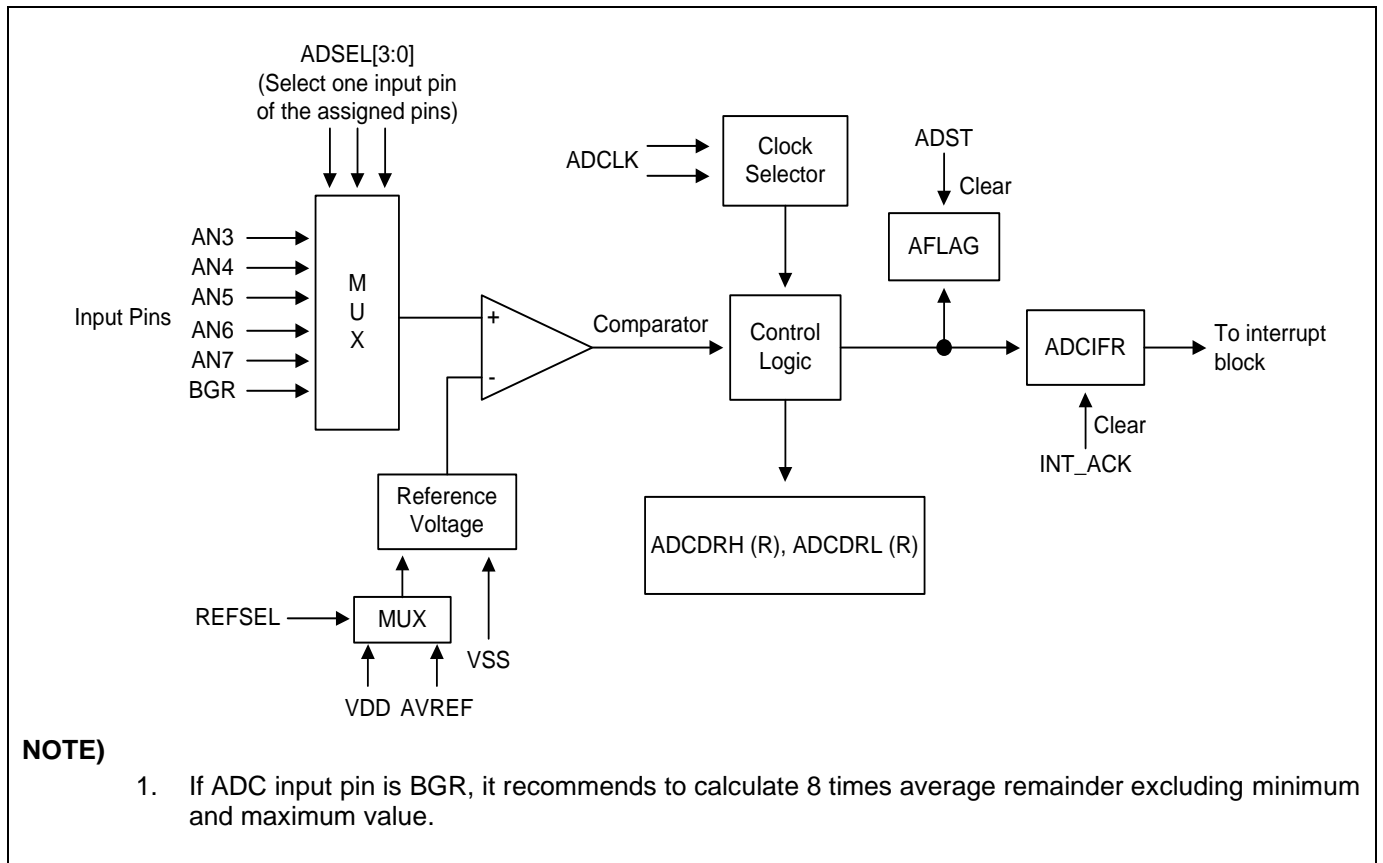


Figure 93 12-bit ADC Block Diagram

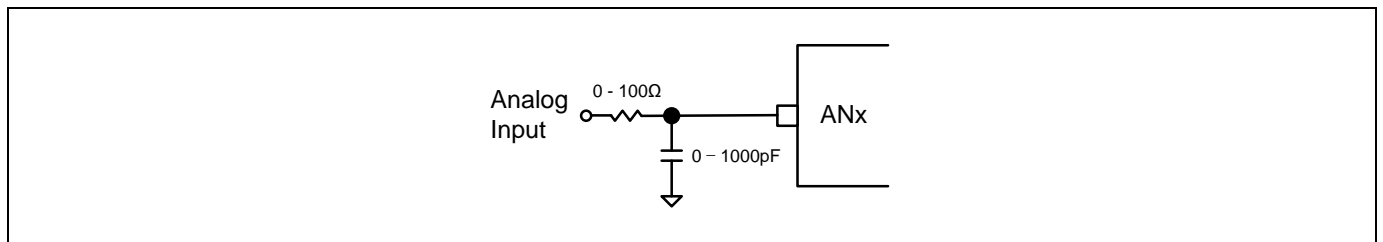


Figure 94 A/D Analog Input Pin with Capacitor

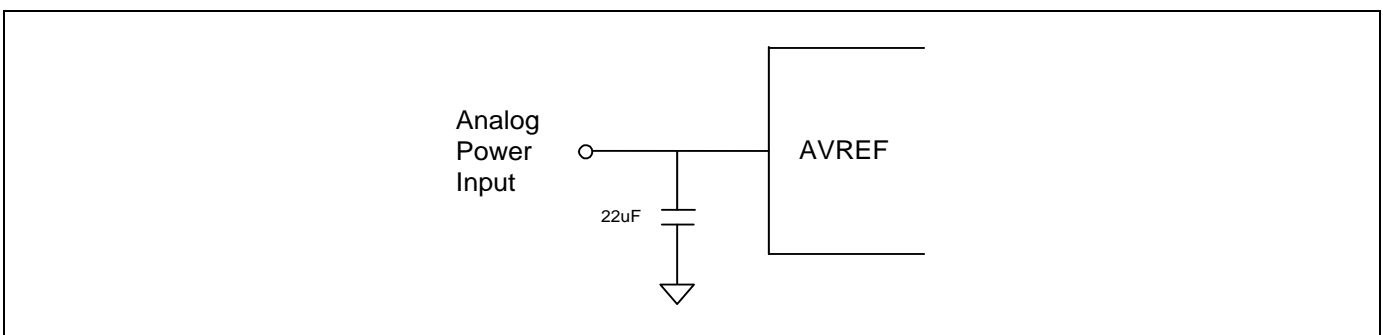


Figure 95 A/D Power (AVREF) Pin with Capacitor

11.11.4 ADC Operation

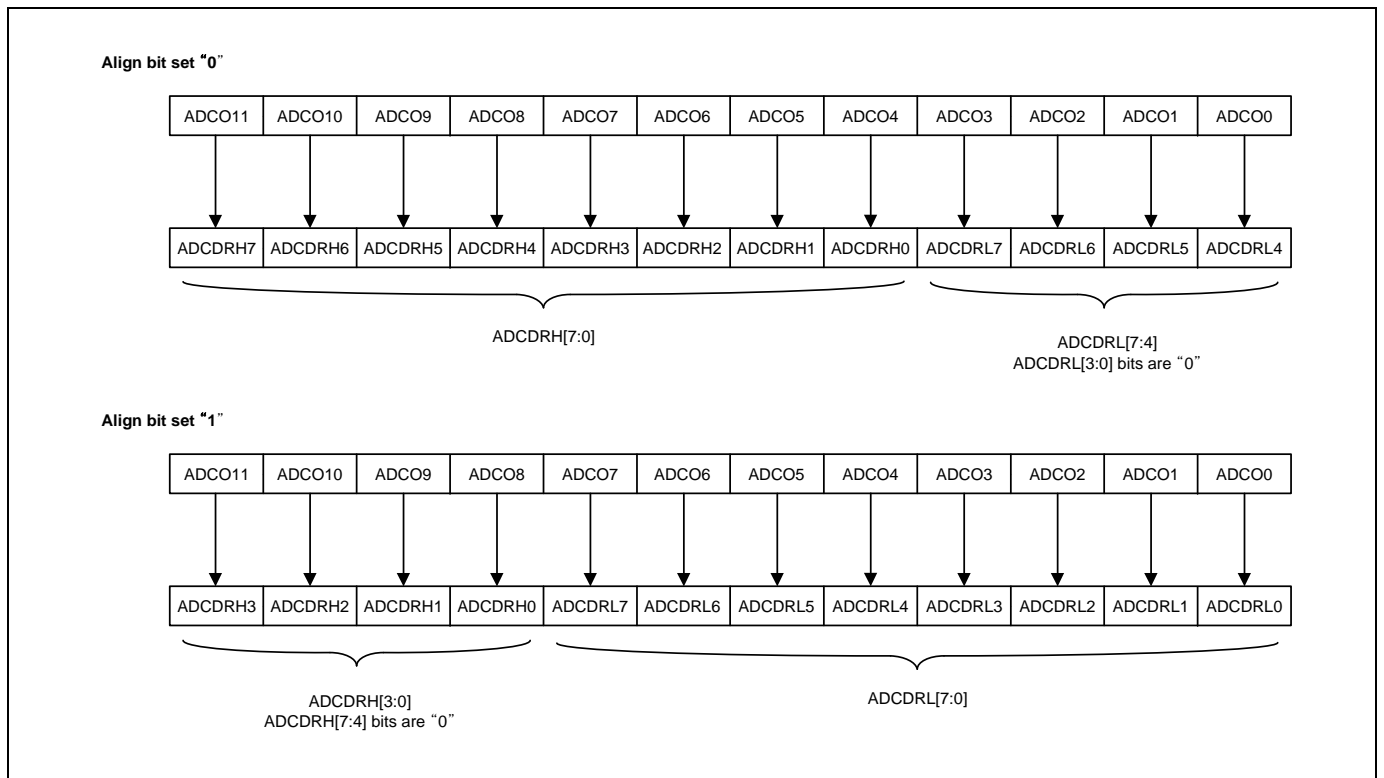


Figure 96 ADC Operation for Align Bit

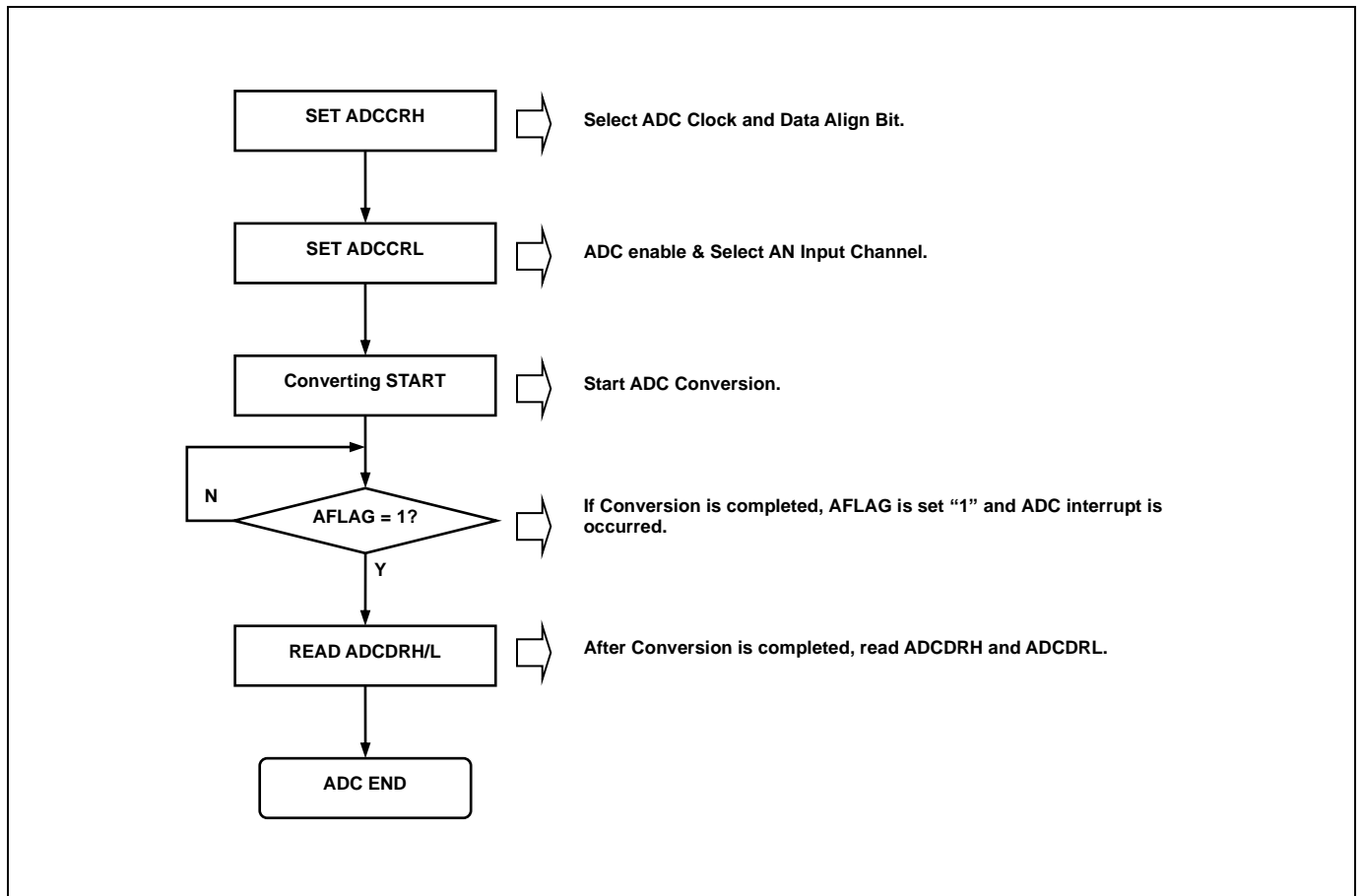


Figure 97 A/D Converter Operation Flow

### 11.11.5 Register Map

Name	Address	Direction	Default	Description
ADCCRH	9DH	R/W	00H	A/D Converter Control High Register
ADCCRL	9CH	R/W	00H	A/D Converter Control Low Register
ADCDRH	9FH	R	xxH	A/D Converter Data High Register
ADCURL	9EH	R	xxH	A/D Converter Data Low Register

**Table 47 ADC Register Map**

### 11.11.6 ADC Register Description

The ADC register consists of A/D converter data high register (ADCDRH), A/D converter data low register (ADCURL), A/D converter control high register (ADCCRH) and A/D converter control low register (ADCCRL).



11.11.7 Register Description for ADC

ADCDRH (A/D Converter Data High Register) : 9FH

7	6	5	4	3	2	1	0
ADDM11	ADDM10	ADDM9	ADDM8	ADDM7 ADDL11	ADDM6 ADDL10	ADDM5 ADDL9	ADDM4 ADDL8
R	R	R	R	R	R	R	R

Initial value : xxH

ADDM[11:4] MSB align, A/D Converter High Data (8-bit)

ADDL[11:8] LSB align, A/D Converter High Data (4-bit)

ADCDRL (A/D Converter Data Low Register) : 9EH

7	6	5	4	3	2	1	0
ADDM3 ADDL7	ADDM2 ADDL6	ADDM1 ADDL5	ADDM0 ADDL4	ADDL3	ADDL2	ADDL1	ADDL0
R	R	R	R	R-	R	R	R

Initial value : xxH

ADDM[3:0] MSB align, A/D Converter Low Data (4-bit)

ADDL[7:0] LSB align, A/D Converter Low Data (8-bit)

ADCCRH (A/D Converter High Register) : 9DH

7	6	5	4	3	2	1	0
ADCIFR	-	-	-	-	ALIGN	CKSEL1	CKSEL0
R/W	-	-	-	-	R/W	R/W	R/W

Initial value : 00H

ADCIFR When ADC interrupt occurs, this bit becomes '1'. For clearing bit, write '0' to this bit or auto clear by INT\_ACK signal. Writing "1" has no effect.

- 0 ADC Interrupt no generation
- 1 ADC Interrupt generation

ALIGN A/D Converter data align selection.

- 0 MSB align (ADCDRH[7:0], ADCDRL[7:4])
- 1 LSB align (ADCDRH[3:0], ADCDRL[7:0])

CKSEL[1:0] A/D Converter Clock selection

CKSEL1	CKSEL0	Description
0	0	fx/1
0	1	fx/2
1	0	fx/4
1	1	fx/8

ADCCRL (A/D Converter Counter Low Register) : 9CH

7	6	5	4	3	2	1	0
STBY	ADST	REFSEL	AFLAG	ADSEL3	ADSEL2	ADSEL1	ADSEL0
R/W	R/W	R/W	R	R/W	R/W	R/W	R/W

Initial value : 00H

STBY	Control Operation of A/D (The ADC module is automatically disabled at stop mode)				
	0	ADC module disable			
	1	ADC module enable			
ADST	Control A/D Conversion stop/start.				
	0	No effect			
	1	ADC Conversion Start and auto clear			
REFSEL	A/D Converter Reference Selection				
	0	Internal Reference (VDD)			
	1	External Reference (AVREF)			
AFLAG	A/D Converter Operation State (This bit is cleared to '0' when the STBY bit is set to '0' or when the CPU is at STOP mode)				
	0	During A/D Conversion			
	1	A/D Conversion finished			
ADSEL[3:0]	A/D Converter input selection				
	ADSEL3	ADSEL2	ADSEL1	ADSEL0	Description
	0	0	1	1	AN3
	0	1	0	0	AN4
	0	1	0	1	AN5
	0	1	1	0	AN6
	0	1	1	1	AN7
	1	1	1	1	V <sub>BGR</sub> (about 1.13V)
	Other values				Reserved

## 11.12 UART

### 11.12.1 Overview

The universal asynchronous serial receiver and transmitter (UART) is a highly flexible serial communication device. The main features are listed below.

- Full Duplex Operation (Independent Serial Receive and Transmit Registers)
- Baud Rate Generator
- Supports Serial Frames with 5, 6, 7, 8 or 9 Data Bits and 1 or 2 Stop Bits
- Odd or Even Parity Generation and Parity Check Supported by Hardware
- Data Overrun Detection
- Framing Error Detection
- Three Separate Interrupts on TX Complete, TX Data Register Empty and RX Complete

UART has baud rate generator, transmitter and receiver. The baud rate generator for asynchronous operation. The Transmitter consists of a single write buffer, a serial shift register, parity generator and control logic for handling different serial frame formats. The write buffer allows continuous transfer of data without any delay between frames. The receiver is the most complex part of the UART module due to its clock and data recovery units. The recovery unit is used for asynchronous data reception. In addition to the recovery unit, the receiver includes a parity checker, a shift register, a two-level receive FIFO (UARTDR) and control logic. The receiver supports the same frame formats as the transmitter and can detect frame error, data overrun and parity errors.

11.12.2 Block Diagram

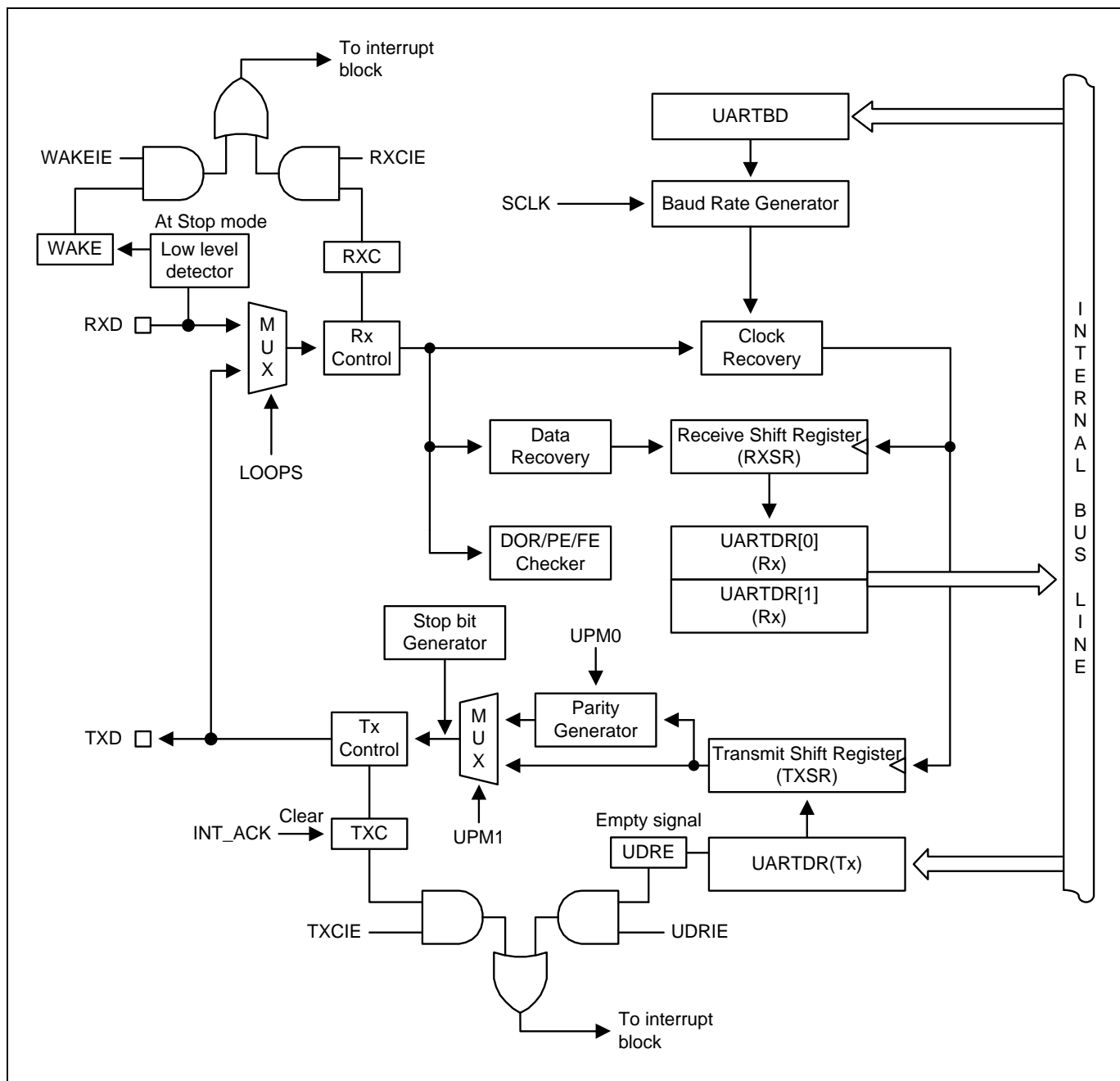
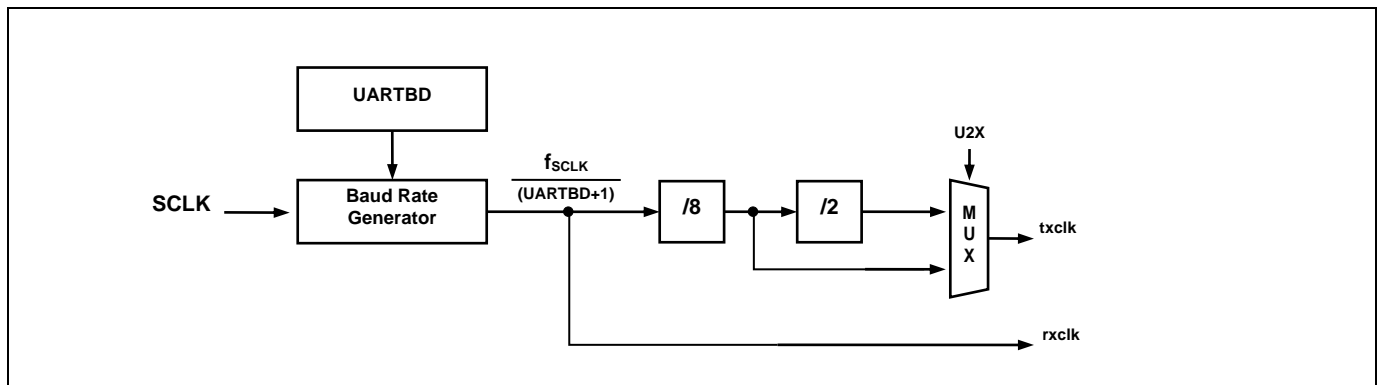


Figure 98 UART Block Diagram

### 11.12.3 Clock Generation



**Figure 99 Clock Generation Block Diagram**

The clock generation logic generates the base clock for the transmitter and receiver.

Following table shows equations for calculating the baud rate (in bps).

Operating Mode	Equation for Calculating Baud Rate
Normal Mode(U2X=0)	$\text{Baud Rate} = \frac{f_x}{16(UARTBD + 1)}$
Double Speed Mode(U2X=1)	$\text{Baud Rate} = \frac{f_x}{8(UARTBD + 1)}$

**Table 48 Equations for Calculating Baud Rate Register Setting**

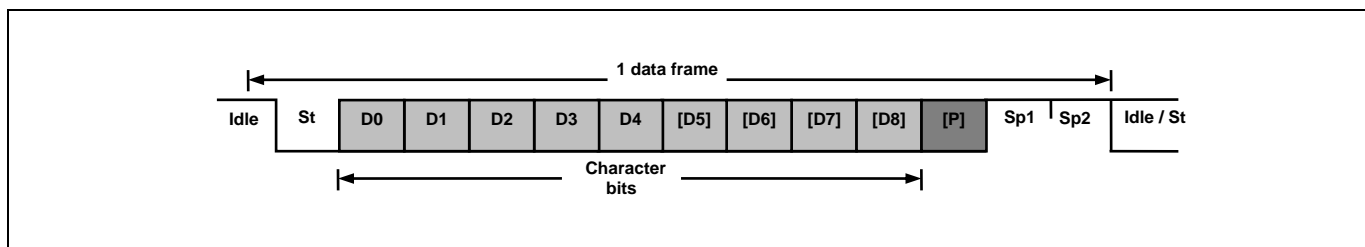
### 11.12.4 Data format

A serial frame is defined to be one character of data bits with synchronization bits (start and stop bits) and optionally a parity bit for error detection.

The UART supports all 30 combinations of the following as valid frame formats.

- 1 start bit
- 5, 6, 7, 8 or 9 data bits
- no, even or odd parity bit
- 1 or 2 stop bits

A frame starts with the start bit followed by the least significant data bit (LSB). Then the next data bits, up to nine, are succeeding, ending with the most significant bit (MSB). If parity function is enabled, the parity bit is inserted between the last data bit and the stop bit. A high-to-low transition on data pin is considered as start bit. When a complete frame is transmitted, it can be directly followed by a new frame or the communication line can be set to an idle state. The idle means high state of data pin. The following figure shows the possible combinations of the frame formats. Bits inside brackets are optional.



**Figure 100 Clock Generation Block Diagram**

1 data frame consists of the following bits

- Idle No communication on communication line (TxD/RxD)
- St Start bit (Low)
- Dn Data bits (0~8)
- Parity bit ----- Even parity, Odd parity, No parity
- Stop bit(s) ----- 1 bit or 2 bits

The frame format used by the UART is set by the USIZE[2:0], UPM[1:0] and USBS bits in UARTCR1 and UARTCR3 register. The Transmitter and Receiver use the same setting.

### 11.12.5 Parity bit

The parity bit is calculated by doing an exclusive-OR of all the data bits. If odd parity is used, the result of the exclusive-or is inverted. The parity bit is located between the MSB and first stop bit of a serial frame.

$$P_{\text{even}} = D_{n-1} \wedge \dots \wedge D_3 \wedge D_2 \wedge D_1 \wedge D_0 \wedge 0$$

$$P_{\text{odd}} = D_{n-1} \wedge \dots \wedge D_3 \wedge D_2 \wedge D_1 \wedge D_0 \wedge 1$$

$P_{\text{even}}$  : Parity bit using even parity

$P_{\text{odd}}$  : Parity bit using odd parity

$D_n$  : Data bit n of the character

### 11.12.6 UART Transmitter

The UART transmitter is enabled by setting the TXE bit in UARTCR2 register. When the Transmitter is enabled, the TXD pin should be set to TXD function for the serial output pin of UART by the P5FSR[5]. The baud-rate, operation mode and frame format must be setup once before doing any transmission.

### 11.12.6.1 Sending Tx data

A data transmission is initiated by loading the transmit buffer (UARTDR register I/O location) with the data to be transmitted. The data written in transmit buffer is moved to the shift register when the shift register is ready to send a new frame. The shift register is loaded with the new data if it is in idle state or immediately after the last stop bit of the previous frame is transmitted. When the shift register is loaded with new data, it will transfer one complete frame according to the settings of control registers. If the 9-bit characters are used, the ninth bit must be written to the TX8 bit in UARTCR3 register before it is loaded to the transmit buffer (UARTDR register).

### 11.12.6.2 Transmitter flag and interrupt

The UART transmitter has 2 flags which indicate its state. One is UART data register empty flag (UDRE) and the other is transmit complete flag (TXC). Both flags can be interrupt sources.

UDRE flag indicates whether the transmit buffer is ready to receive new data. This bit is set when the transmit buffer is empty and cleared when the transmit buffer contains data to be transmitted but has not yet been moved into the shift register. And also this flag can be cleared by writing '0' to this bit position. Writing '1' to this bit position is prevented.

When the data register empty interrupt enable (UDRIE) bit in UARTCR2 register is set and the global interrupt is enabled, UART data register empty interrupt is generated while UDRE flag is set.

The transmit complete (TXC) flag bit is set when the entire frame in the transmit shift register has been shifted out and there is no more data in the transmit buffer. The TXC flag is automatically cleared when the transmit complete interrupt service routine is executed or it can be cleared by writing '0' to TXC bit in UARTST register.

When the transmit complete interrupt enable (TXCIE) bit in UARTCR2 register is set and the global interrupt is enabled, UART transmit complete interrupt is generated while TXC flag is set.

### 11.12.6.3 Parity Generator

The parity generator calculates the parity bit for the serial frame data to be sent. When parity bit is enabled (UPM[1]=1), the transmitter control logic inserts the parity bit between the MSB and the first stop bit of the frame to be sent.

### 11.12.6.4 Disabling Transmitter

Disabling the transmitter by clearing the TXE bit will not become effective until ongoing transmission is completed. When the Transmitter is disabled, the TXD pin can be used as a normal general purpose I/O (GPIO).

## 11.12.7 UART Receiver

The UART receiver is enabled by setting the RXE bit in the UARTCR2 register. When the receiver is enabled, the RXD pin should be set to the input port for the serial input pin of UART by P56IO bit. The baud-rate, mode of operation and frame format must be set before serial reception.

### 11.12.7.1 Receiving Rx data

The receiver starts data reception when it detects a valid start bit (LOW) on RXD pin. Each bit after start bit is sampled at pre-defined baud-rate (asynchronous) and shifted into the receive shift register until the first stop bit of a frame is received. Even if there's 2<sup>nd</sup> stop bit in the frame, the 2<sup>nd</sup> stop bit is ignored by the receiver. That is, receiving the first stop bit means that a complete serial frame is present in the receiver shift register and contents of the shift register are to be moved into the receive buffer. The receive buffer is read by reading the UARTDR register.

If 9-bit characters are used (USIZE[2:0] = "111"), the ninth bit is stored in the RX8 bit position in the UARTCR3 register. The 9<sup>th</sup> bit must be read from the RX8 bit before reading the low 8 bits from the UARTDR register. Likewise, the error flags FE, DOR, PE must be read before reading the data from UARTDR register. It's because the error flags are stored in the same FIFO position of the receive buffer.

### 11.12.7.2 Receiver Flag and Interrupt

The UART receiver has one flag that indicates the receiver state.

The receive complete (RXC) flag indicates whether there are unread data in the receive buffer. This flag is set when there are unread data in the receive buffer and cleared when the receive buffer is empty. If the receiver is disabled (RXE=0), the receiver buffer is flushed and the RXC flag is cleared.

When the receive complete interrupt enable (RXCIE) bit in the UARTCR2 register is set and global interrupt is enabled, the UART receiver complete interrupt is generated while RXC flag is set.

The UART receiver has three error flags which are frame error (FE), data overrun (DOR) and parity error (PE). These error flags can be read from the UARTST register. As received data are stored in the 2-level receive buffer, these error flags are also stored in the same position of receive buffer. So, before reading received data from UARTDR register, read the UARTST register first which contains error flags.

The frame error (FE) flag indicates the state of the first stop bit. The FE flag is '0' when the stop bit was correctly detected as '1' and the FE flag is '1' when the stop bit was incorrect, i.e. detected as '0'. This flag can be used for detecting out-of-sync conditions between data frames.

The data overrun (DOR) flag indicates data loss due to a receive buffer full condition. DOR occurs when the receive buffer is full and another new data is present in the receive shift register which are to be stored into the receive buffer. After the DOR flag is set, all the incoming data are lost. To prevent data loss or clear this flag, read the receive buffer.

The parity error (PE) flag indicates that the frame in the receive buffer had a parity error when received. If parity check function is not enabled (UPM[1]=0), the PE bit is always read '0'.



### 11.12.7.3 Parity Checker

If parity bit is enabled (UPM[1]=1), the Parity Checker calculates the parity of the data bits in incoming frame and compares the result with the parity bit from the received serial frame.

### 11.12.7.4 Disabling Receiver

In contrast to transmitter, disabling the Receiver by clearing RXE bit makes the Receiver inactive immediately. When the receiver is disabled, the receiver flushes the receive buffer, the remaining data in the buffer is all reset and the RXD pin can be used as a normal general purpose I/O (GPIO).

### 11.12.7.5 Asynchronous Data Reception

To receive asynchronous data frame, the UART includes a clock and data recovery unit. The clock recovery logic is used for synchronizing the internally generated baud-rate clock to the incoming asynchronous serial frame on the RXD pin.

The data recovery logic samples and low pass filters the incoming bits and this removes the noise of RXD pin.

The next figure illustrates the sampling process of the start bit of an incoming frame. The sampling rate is 16 times the baud-rate for normal mode(U2X=0) and 8 times the baud-rate for double speed mode (U2X=1). The horizontal arrows show the synchronization variation due to the asynchronous sampling process. Note that larger time variation is shown when using the double speed mode.

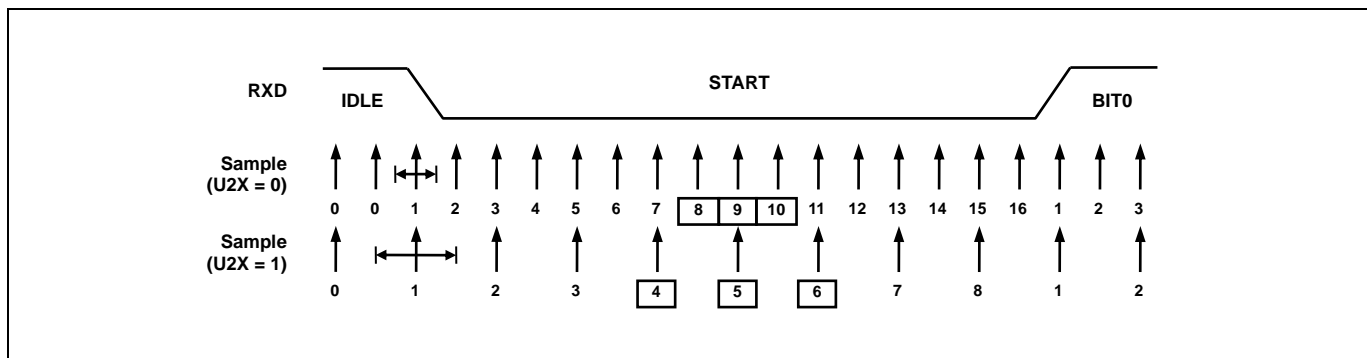


Figure 101 Start Bit Sampling

When the receiver is enabled (RXE=1), the clock recovery logic tries to find a high-to-low transition on the RXD line, the start bit condition. After detecting high to low transition on RXD line, the clock recovery logic uses samples 8, 9 and 10 for normal mode and samples 4, 5 and 6 for double speed mode to decide if a valid start bit is received. If more than 2 samples have logical low level, it is considered that a valid start bit is detected and the internally generated clock is synchronized to the incoming data frame. And the data recovery can begin. The synchronization process is repeated for each start bit.

As described above, when the receiver clock is synchronized to the start bit, the data recovery can begin. Data recovery process is almost similar to the clock recovery process. The data recovery logic samples 16 times for each incoming bits for normal mode and 8 times for double speed mode. And uses sample 8, 9 and 10 to decide data value for normal mode and samples 4, 5 and 6 for double speed mode. If more than 2 samples have low levels, the received bit is considered to a logic '0' and if more than 2 samples have high levels, the received bit is considered to a logic '1'. The data recovery process is then repeated until a complete frame is received including the first stop bit. The decided bit value is stored in the receive shift register in order. Note that the Receiver only uses the first stop bit of a frame. Internally, after receiving the first stop bit, the Receiver is in idle state and waiting to find start bit.

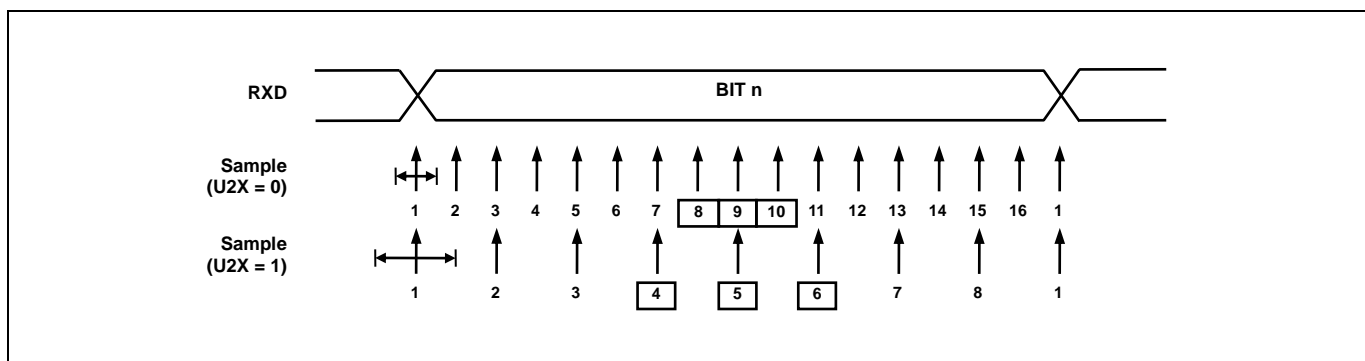


Figure 102 Sampling of Data and Parity Bit

The process for detecting stop bit is like clock and data recovery process. That is, if 2 or more samples of 3 center values have high level, correct stop bit is detected, else a frame error (FE) flag is set. After deciding whether the first stop bit is valid or not, the Receiver goes to idle state and monitors the RXD line to check a valid high to low transition is detected (start bit detection).

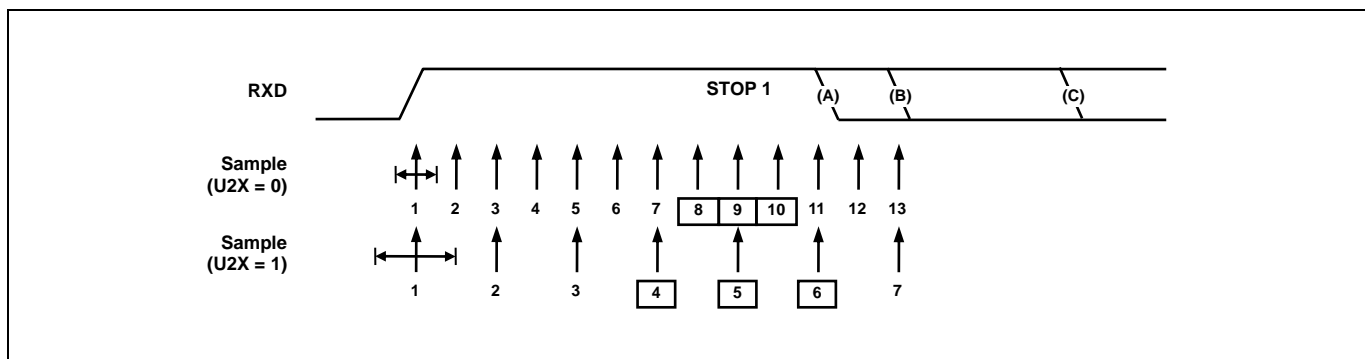


Figure 103 Stop Bit Sampling and Next Start Bit Sampling

### 11.12.8 Register Map

Name	Address	Direction	Default	Description
UARTBD	F6H	R/W	FFH	UART Baud Rate Generation Register
UARTDR	F7H	R/W	00H	UART Data Register
UARTCR1	F2H	R/W	00H	UART Control Register 1
UARTCR2	F3H	R/W	00H	UART Control Register 2
UARTCR3	F4H	R/W	00H	UART Control Register 3
UARTST	F5H	R/W	80H	UART Status Register

**Table 49** UART Register Map

### 11.12.9 UART Register Description

UART module consists of UART baud rate generation register (UARTBD), UART data register (UARTDR), UART control register 1 (UARTCR1), UART control register 2 (UARTCR2), UART control register 3 (UARTCR3) and UART status register (UARTST).

11.12.10 Register Description for UART

UARTBD (UART Baud Rate Generation Register) : F6H

7	6	5	4	3	2	1	0
UARTBD7	UARTBD6	UARTBD5	UARTBD4	UARTBD3	UARTBD2	UARTBD1	UARTBD0
RW	RW	RW	RW	RW	RW	RW	RW

Initial value : FFH

UARTBD [7:0] The value in this register is used to generate internal baud rate. To prevent malfunction, do not write '0'.

UARTDR (UART Data Register) : F7H

7	6	5	4	3	2	1	0
UARTDR7	UARTDR6	UARTDR5	UARTDR4	UARTDR3	UARTDR2	UARTDR1	UARTDR0
RW	RW	RW	RW	RW	RW	RW	RW

Initial value : 00H

UARTDR [7:0] The UART Transmit Buffer and Receive Buffer share the same I/O address with this DATA register. The Transmit Data Buffer is the destination for data written to the UARTDR register. Reading the UARTDR register returns the contents of the Receive Buffer.

Write this register only when the UDRE flag is set.

UARTCR1 (UART Control Register 1) : F2H

7	6	5	4	3	2	1	0
-	-	UPM1	UPM0	USIZE2	USIZE1	USIZE0	-
-	-	RW	RW	RW	RW	RW	-

Initial value : 00H

UPM[1:0] Selects Parity Generation and Check methods

UPM1	UPM0	Parity
0	0	No Parity
0	1	Reserved
1	0	Even Parity
1	1	Odd Parity

USIZE[2:0] Selects the Length of Data Bits in Frame

USIZE2	USIZE1	USIZE0	Data Length
0	0	0	5 bit
0	0	1	6 bit
0	1	0	7 bit
0	1	1	8 bit
1	1	1	9 bit
Other values			Reserved

UARTCR2 (UART Control Register 2) : F3H

7	6	5	4	3	2	1	0
UDRIE	TXCIE	RXCIE	WAKEIE	TXE	RXE	UARTEN	U2X
RW	RW	RW	RW	RW	RW	RW	RW

Initial value : 00H

- UDRIE      Interrupt enable bit for UART Data Register Empty  
 0      Interrupt from UDRE is inhibited (use polling)  
 1      When UDRE is set, request an interrupt
- TXCIE      Interrupt enable bit for Transmit Complete  
 0      Interrupt from TXC is inhibited (use polling)  
 1      When TXC is set, request an interrupt
- RXCIE      Interrupt enable bit for Receive Complete  
 0      Interrupt from RXC is inhibited (use polling)  
 1      When RXC is set, request an interrupt
- WAKEIE    Interrupt enable bit for Wake in STOP mode. When device is in stop mode, if RXD goes to LOW level, an interrupt can be requested to wake-up system. At that time the UDRIE bit and UARTST register value should be set to '0b' and "00H", respectively.  
 0      Interrupt from Wake is inhibited  
 1      When WAKE is set, request an interrupt
- TXE        Enables the transmitter unit  
 0      Transmitter is disabled  
 1      Transmitter is enabled
- RXE        Enables the receiver unit  
 0      Receiver is disabled  
 1      Receiver is enabled
- UARTEN    Activate UART module by supplying clock. When one of TXE and RXE values is "1", the UARTEN bit always set to "1".  
 0      UART is disabled (clock is halted)  
 1      UART is enabled
- U2X        This bit selects receiver sampling rate.  
 0      Normal Asynchronous operation  
 1      Double Speed Asynchronous operation

**UARTCR3 (UART Control Register 3) : F4H**

7	6	5	4	3	2	1	0
–	LOOPS	–	–	–	USBS	TX8	RX8
–	RW	–	–	–	RW	RW	R

Initial value : 00H

- LOOPS**            Controls the Loop Back Mode of UART, for test mode

  - 0        Normal operation
  - 1        Loop Back mode
- USBS**            Selects the length of stop bit.

  - 0        1 Stop Bit
  - 1        2 Stop Bit
- TX8**             The ninth bit of data frame in UART. Write this bit first before loading the UARTDR register

  - 0        MSB (9<sup>th</sup> bit) to be transmitted is '0'
  - 1        MSB (9<sup>th</sup> bit) to be transmitted is '1'
- RX8**             The ninth bit of data frame in UART. Read this bit first before reading the receive buffer

  - 0        MSB (9<sup>th</sup> bit) received is '0'
  - 1        MSB (9<sup>th</sup> bit) received is '1'

UARTST (UART Status Register) : F5H

7	6	5	4	3	2	1	0
UDRE	TXC	RXC	WAKE	SOFTRST	DOR	FE	PE
RW	RW	R	RW	RW	R	RW	RW

Initial value : 80H

- UDRE**      The UDRE flag indicates if the transmit buffer (UARTDR) is ready to receive new data. If UDRE is '1', the buffer is empty and ready to be written. This flag can generate a UDRE interrupt.

  - 0      Transmit buffer is not empty.
  - 1      Transmit buffer is empty.
- TXC**      This flag is set when the entire frame in the transmit shift register has been shifted out and there is no new data currently present in the transmit buffer. This flag is automatically cleared when the interrupt service routine of a TXC interrupt is executed. This flag can generate a TXC interrupt.

  - 0      Transmission is ongoing.
  - 1      Transmit buffer is empty and the data in transmit shift register are shifted out completely.
- RXC**      This flag is set when there are unread data in the receive buffer and cleared when all the data in the receive buffer are read. The RXC flag can be used to generate a RXC interrupt.

  - 0      There is no data unread in the receive buffer
  - 1      There are more than 1 data in the receive buffer
- WAKE**      This flag is set when the RXD pin is detected low while the CPU is in stop mode. This flag can be used to generate a WAKE interrupt. This bit should be cleared by program software.

  - 0      No WAKE interrupt is generated.
  - 1      WAKE interrupt is generated.
- SOFTRST**      This is an internal reset and only has effect on UART. Writing '1' to this bit initializes the internal logic of UART and this bit is automatically cleared.

  - 0      No operation
  - 1      Reset UART
- DOR**      This bit is set if a Data Overrun occurs. While this bit is set, the incoming data frame is ignored. This flag is valid until the receive buffer is read.

  - 0      No Data Overrun
  - 1      Data Overrun detected
- FE**      This bit is set if the first stop bit of next character in the receive buffer is detected as '0'. This bit is valid until the receive buffer is read.

  - 0      No Frame Error
  - 1      Frame Error detected
- PE**      This bit is set if the next character in the receive buffer has a Parity Error to be received while Parity Checking is enabled. This bit is valid until the receive buffer is read.

  - 0      No Parity Error
  - 1      Parity Error detected



## 11.12.11 Baud Rate setting (example)

Baud Rate	fx=1.00MHz		fx=1.8432MHz		fx=2.00MHz	
	UARTBD	ERROR	UARTBD	ERROR	UARTBD	ERROR
2400	25	0.2%	47	0.0%	51	0.2%
4800	12	0.2%	23	0.0%	25	0.2%
9600	6	-7.0%	11	0.0%	12	0.2%
14.4k	3	8.5%	7	0.0%	8	-3.5%
19.2k	2	8.5%	5	0.0%	6	-7.0%
28.8k	1	8.5%	3	0.0%	3	8.5%
38.4k	1	-18.6%	2	0.0%	2	8.5%
57.6k	-	-	1	-25.0%	1	8.5%
76.8k	-	-	1	0.0%	1	-18.6%
115.2k	-	-	-	-	-	-
230.4k	-	-	-	-	-	-

Baud Rate	fx=3.6864MHz		fx=4.00MHz		fx=7.3728MHz	
	UARTBD	ERROR	UARTBD	ERROR	UARTBD	ERROR
2400	95	0.0%	103	0.2%	191	0.0%
4800	47	0.0%	51	0.2%	95	0.0%
9600	23	0.0%	25	0.2%	47	0.0%
14.4k	15	0.0%	16	2.1%	31	0.0%
19.2k	11	0.0%	12	0.2%	23	0.0%
28.8k	7	0.0%	8	-3.5%	15	0.0%
38.4k	5	0.0%	6	-7.0%	11	0.0%
57.6k	3	0.0%	3	8.5%	7	0.0%
76.8k	2	0.0%	2	8.5%	5	0.0%
115.2k	1	0.0%	1	8.5%	3	0.0%
230.4k	-	-	-	-	1	0.0%
250k	-	-	-	-	1	-7.8%
0.5M	-	-	-	-	-	-

Baud Rate	fx=8.00MHz		fx=11.0592MHz	
	UARTBD	ERROR	UARTBD	ERROR
2400	207	0.2%	-	-
4800	103	0.2%	143	0.0%
9600	51	0.2%	71	0.0%
14.4k	34	-0.8%	47	0.0%
19.2k	25	0.2%	35	0.0%
28.8k	16	2.1%	23	0.0%
38.4k	12	0.2%	17	0.0%
57.6k	8	-3.5%	11	0.0%
76.8k	6	-7.0%	8	0.0%
115.2k	3	8.5%	5	0.0%
230.4k	1	8.5%	2	0.0%
250k	1	0.0%	2	-7.8%
0.5M	-	-	-	-
1M	-	-	-	-

Table 50 Examples of UARTBD Setting for Commonly Used Oscillator Frequencies

## 11.13 LCD Driver

### 11.13.1 Overview

The LCD driver is controlled by the LCD control register (LCDCRH/L) and LCD driver contrast control register (LCDCCR). The LCLK[1:0] determines the frequency of COM signal scanning of each segment output. A RESET clears the LCD control register LCDCRH, LCDCRL and LCDCCR values to logic '0'.

The LCD display can continue operating during IDLE and STOP modes if a sub-frequency clock is used as LCD clock source.

The clock and duty for LCD driver is automatically initialized by hardware, whenever LCDCRH register data value is rewritten. So, don't rewrite LCDCRH frequently.

### 11.13.2 LCD Display RAM Organization

Display data are stored to the display data area in the external data memory.

The display data which stored to the display external data area (address 0000H-0025H) are read automatically and sent to the LCD driver by the hardware. The LCD driver generates the segment signals and common signals in accordance with the display data and drive method. Therefore, display patterns can be changed by only overwriting the contents of the display external data area with a program.

Figure 11-47 shows the correspondence between the display external data area and the COM/SEG pins. The LCD is turned on lights when the display data is “1” and turned off when “0”.

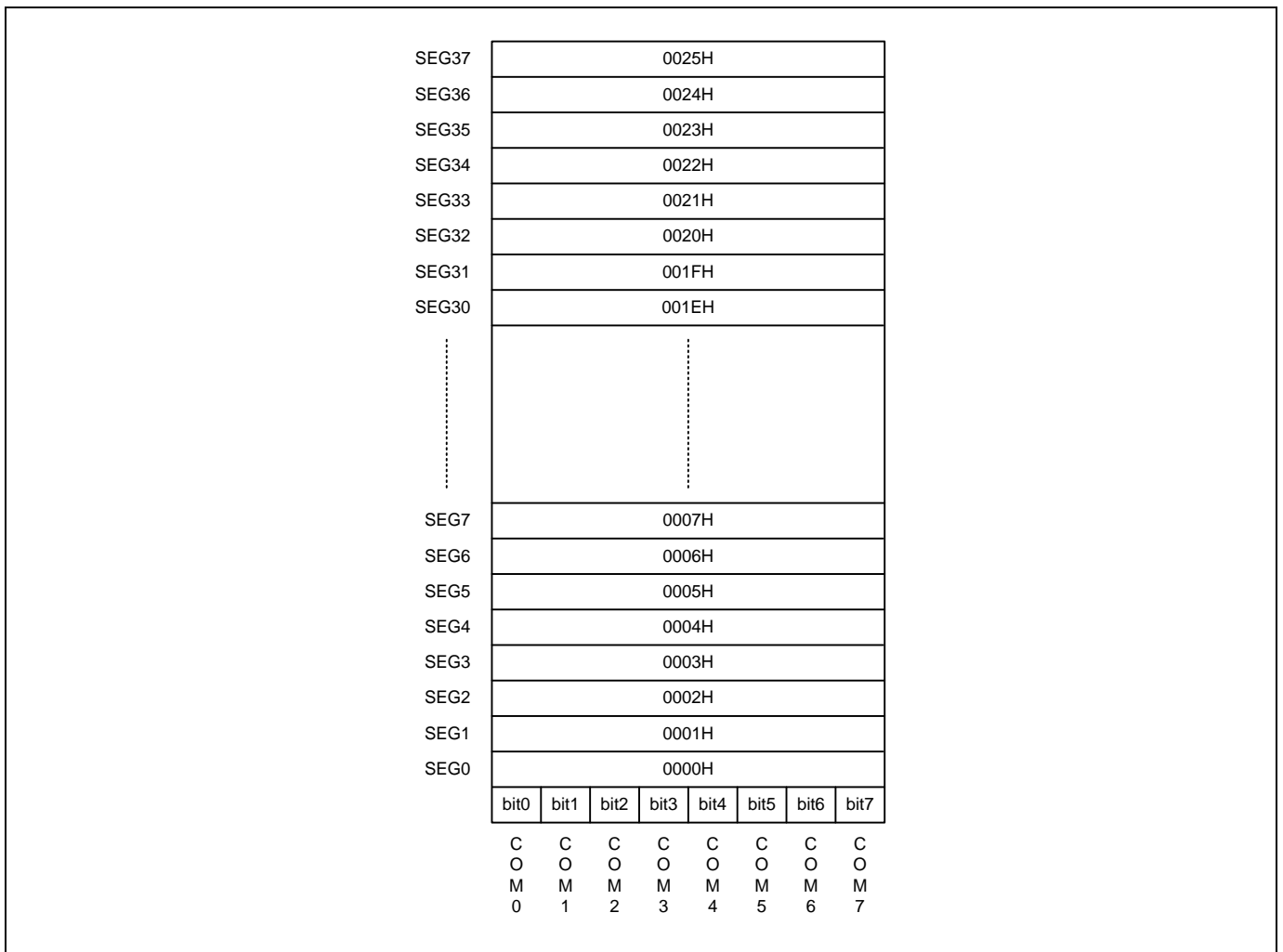


Figure 104 LCD Display Data Ram Organization

11.13.3 LCD Signal Waveform

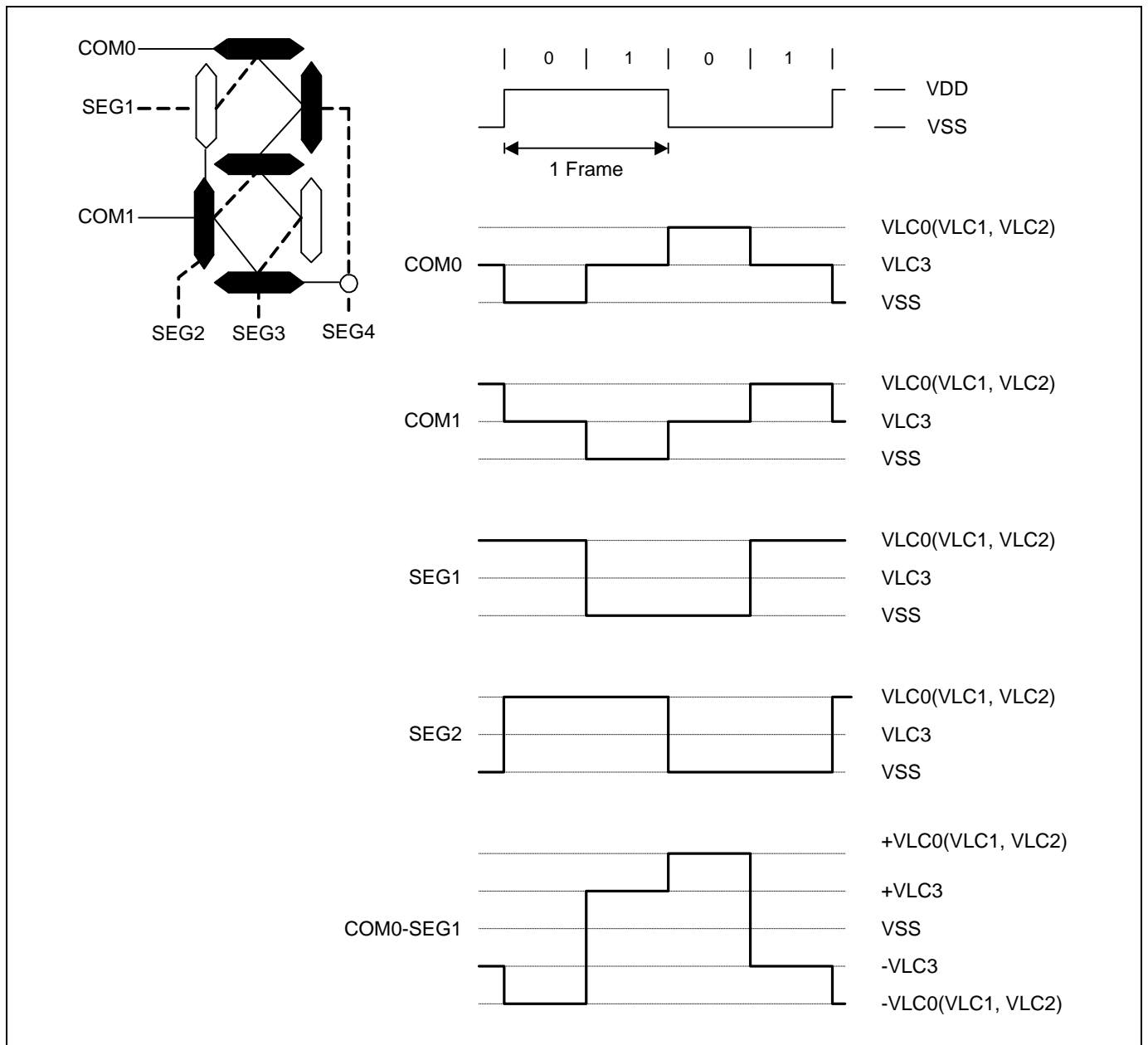


Figure 105 LCD Signal Waveforms (1/2Duty, 1/2Bias)

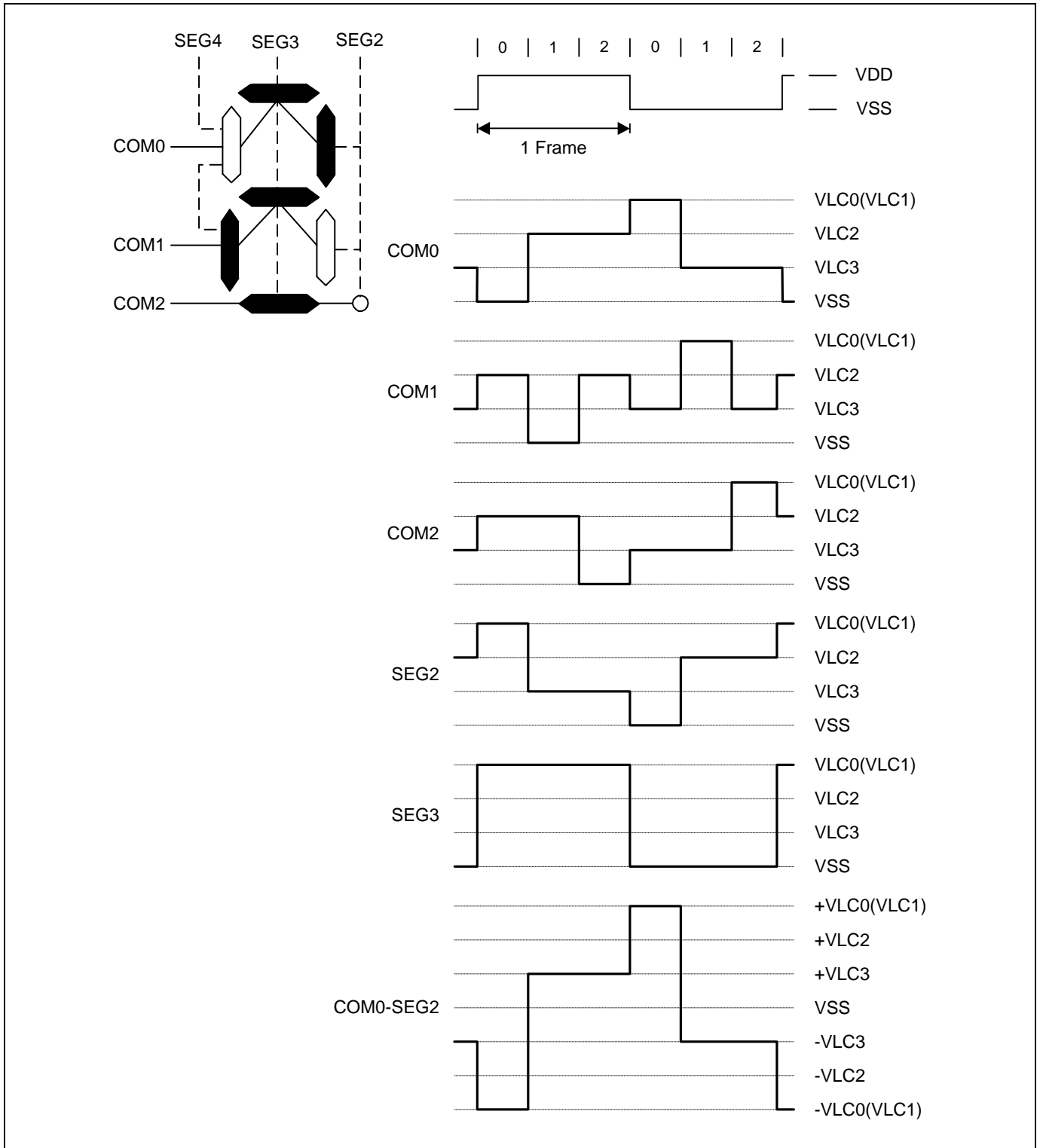


Figure 106 LCD Signal Waveforms (1/3Duty, 1/3Bias)

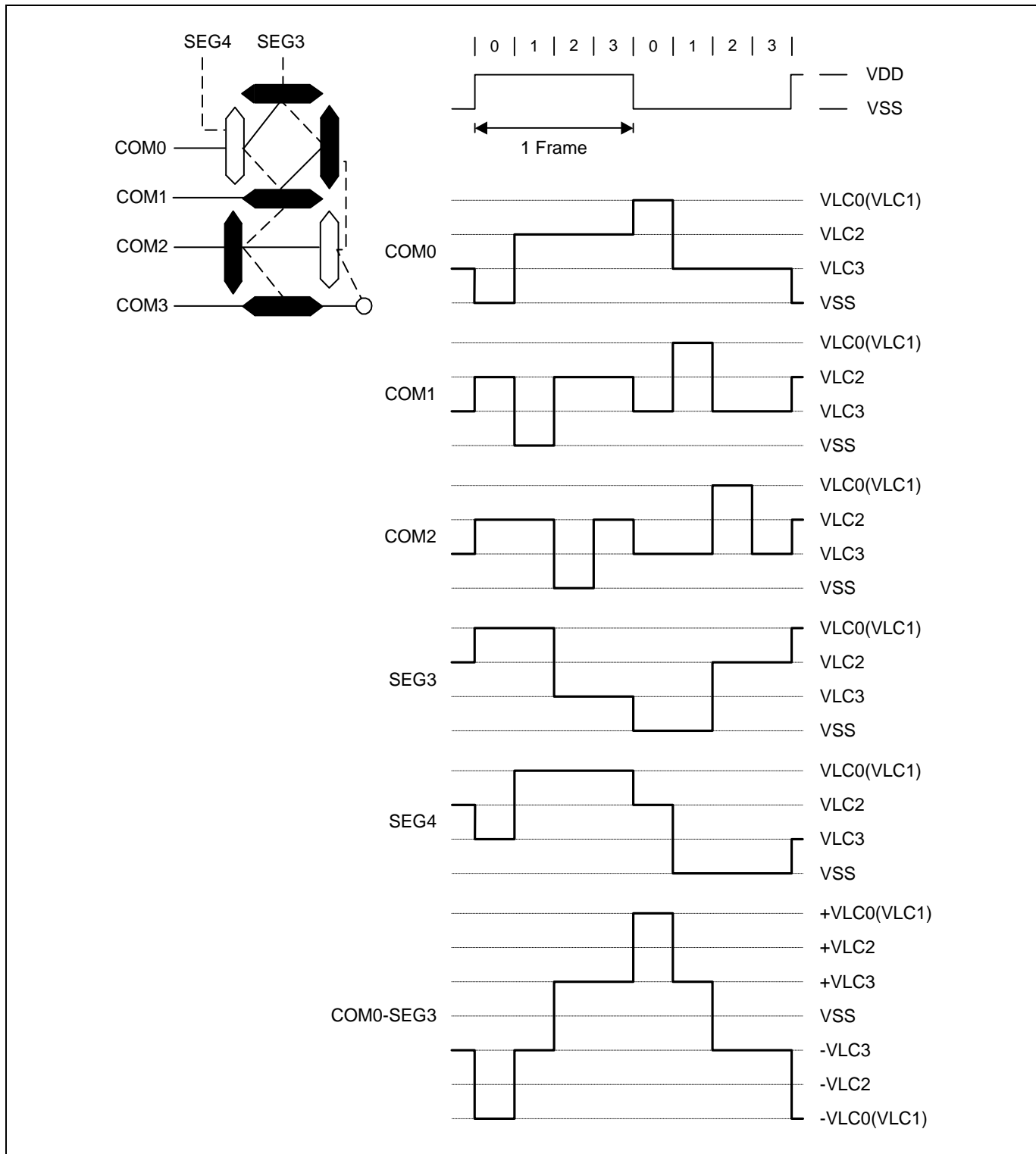


Figure 107 LCD Signal Waveforms (1/4Duty, 1/3Bias)

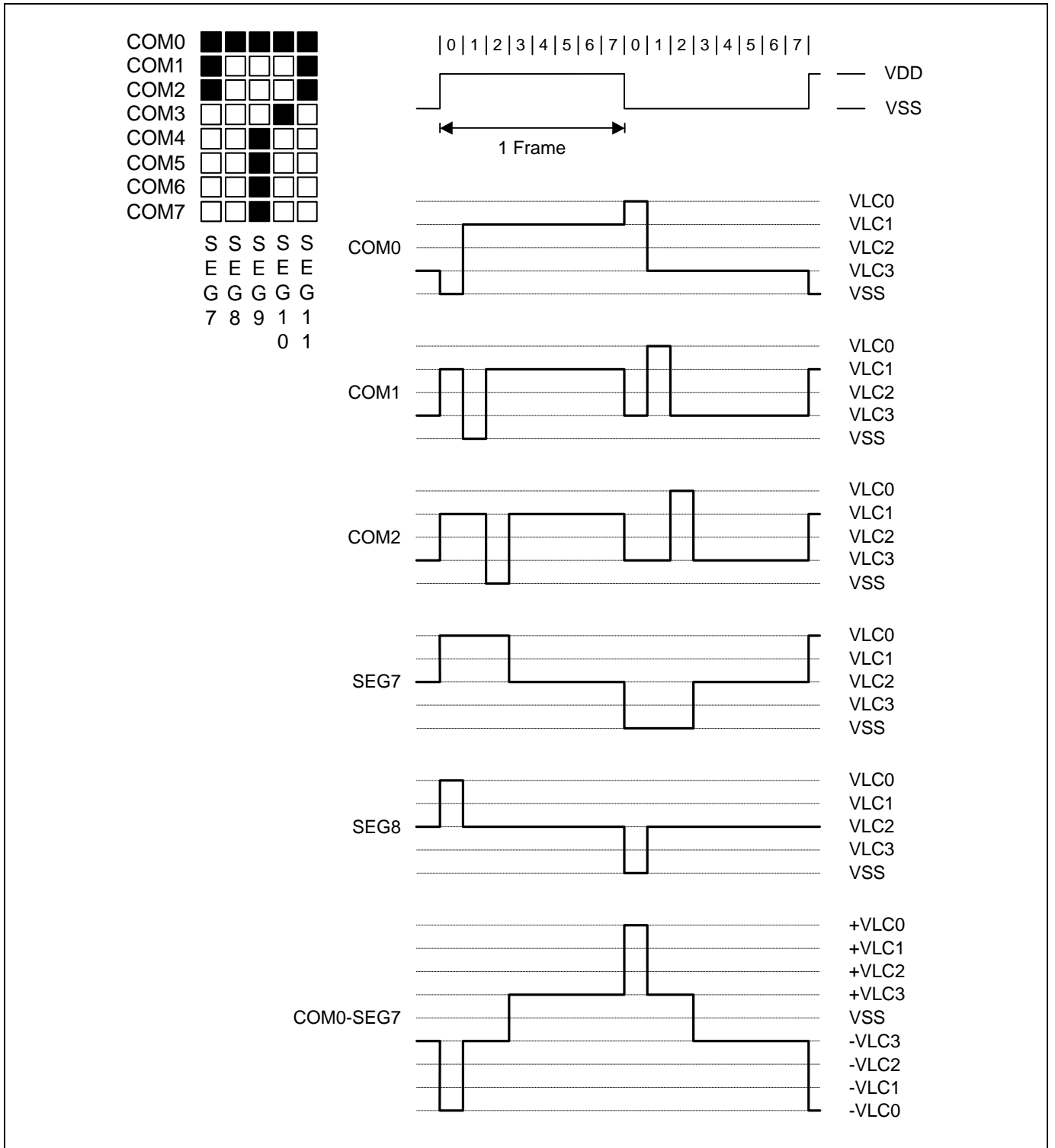


Figure 108 LCD Signal Waveforms (1/8Duty, 1/4Bias)

11.13.4 LCD Voltage Dividing Connection

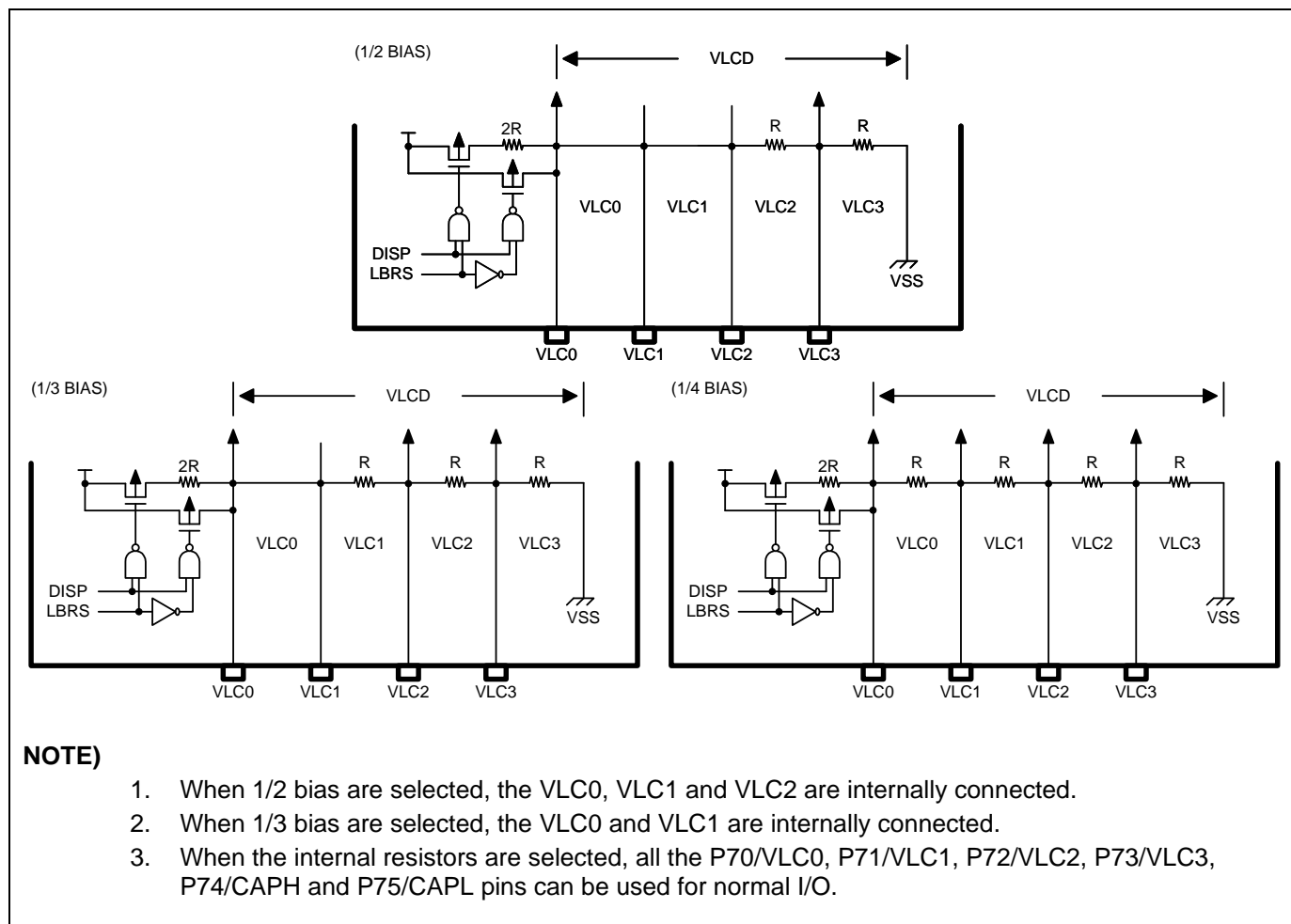


Figure 109 Internal Resistor Bias Connection



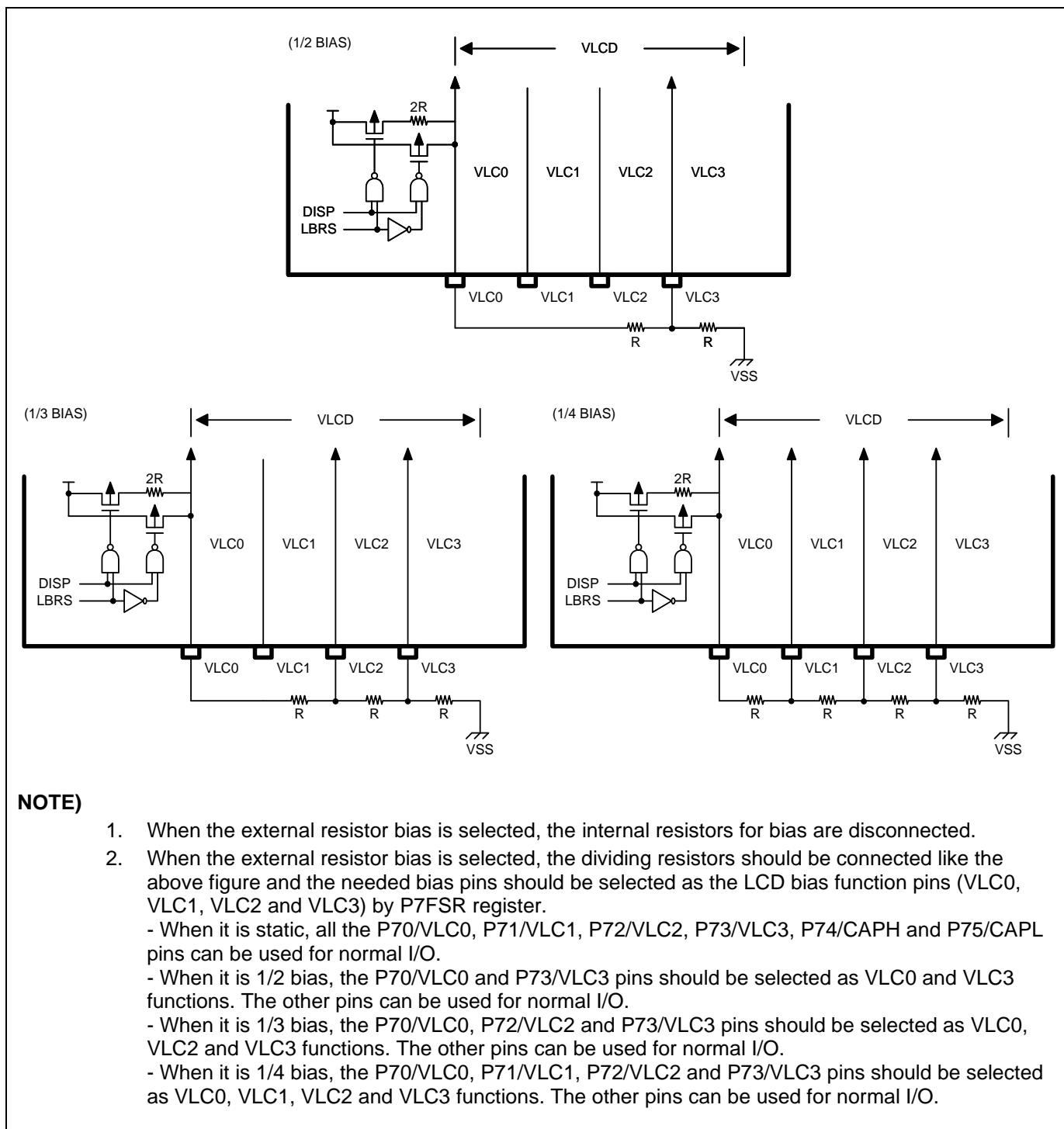


Figure 110 External Resistor Bias Connection

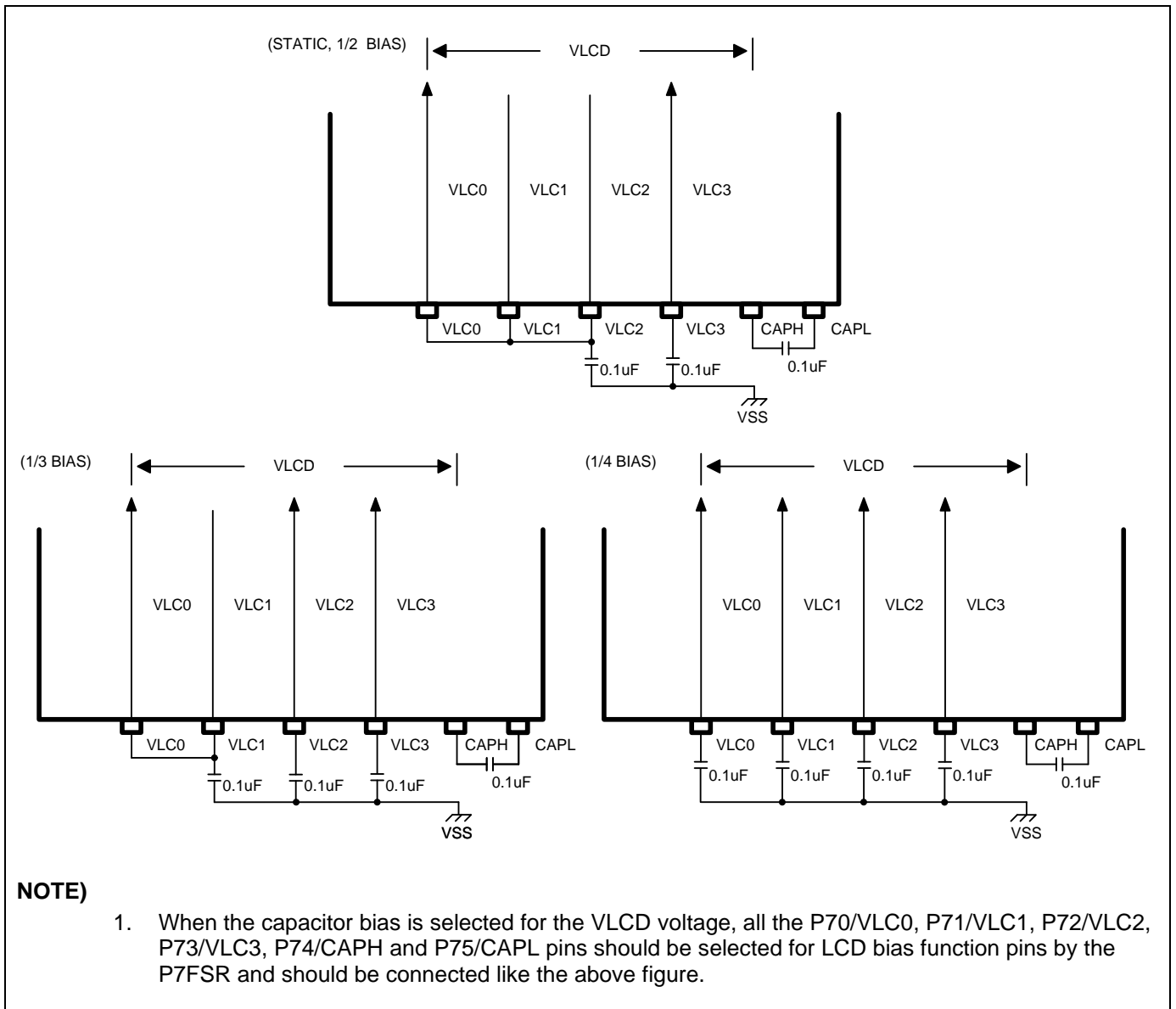


Figure 111 Capacitor Bias Connection

### 11.13.5 Block Diagram

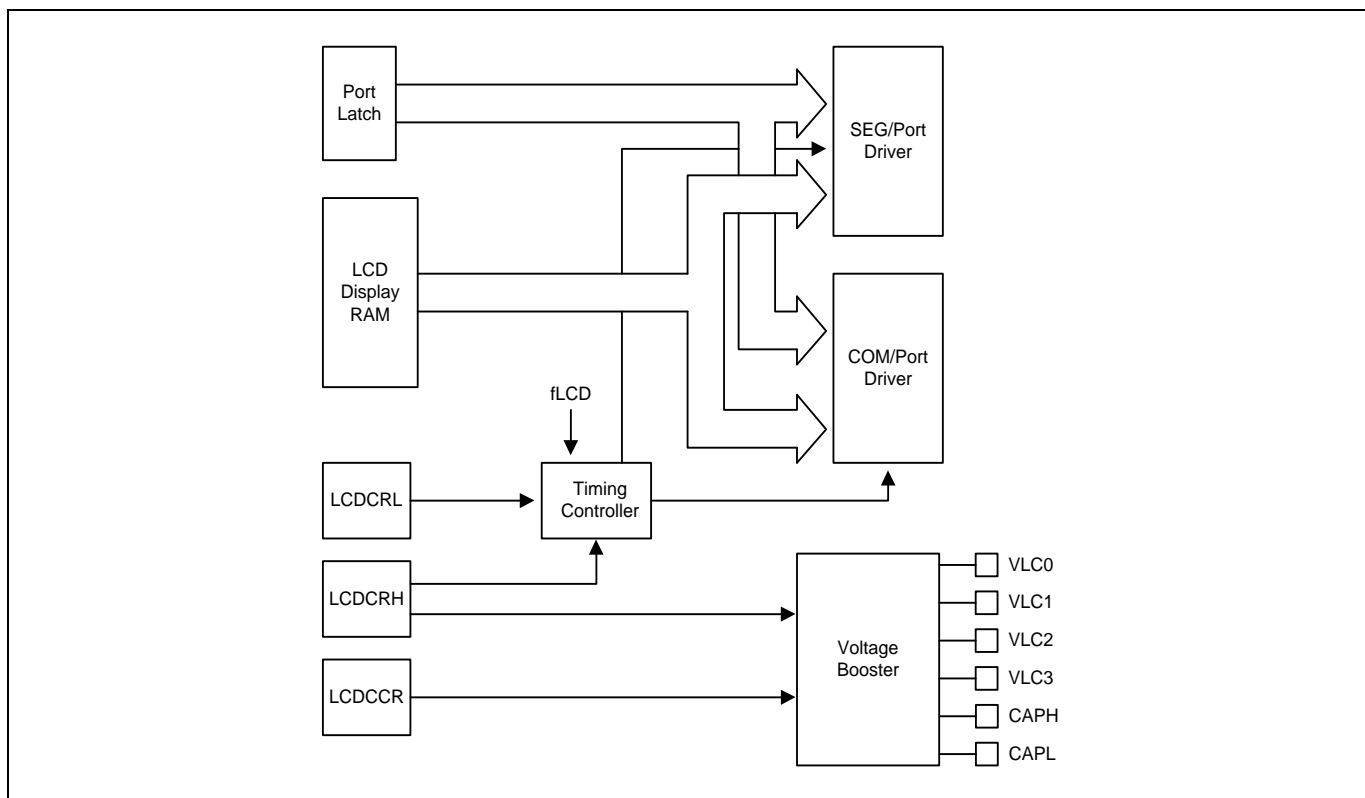


Figure 112 LCD Circuit Diagram

**NOTE)**

1. The clock and duty for LCD driver is automatically initialized by hardware, whenever LCDCRL register data value is rewritten. So, don't rewrite LCDCRL frequently

### 11.13.6 Register Map

Name	Address	Dir	Default	Description
LCDCRL	99H	R/W	00H	LCD Driver Control Low Register
LCDCRH	9AH	R/W	00H	LCD Driver Control High Register
LCDCCR	9BH	R/W	00H	LCD Driver Contrast Control Register

Table 51 LCD Register Map

### 11.13.7 LCD Driver Register Description

LCD driver register has three control registers, LCD driver control high register (LCDCRH), LCD driver control low register (LCDCRL) and LCD driver contrast control register (LCDCCR).

11.13.8 Register Description for LCD Driver

LCDCRH (LCD Driver Control High Register) : 9AH

7	6	5	4	3	2	1	0
-	-	-	-	LBRS	BTYPE1	BTYPE0	DISP
-	-	-	-	R/W	R/W	R/W	R/W

Initial value : 00H

- LBRS            LCD Bias Resistor Select
    - 0            Not select P-Tr resistor
    - 1            Select P-Tr resistor 2R
  - BTYPE[1:0]   LCD Duty and Bias Select (note)
 

BTYPE1	BTYPE0	Description
0	0	Internal resistor bias
0	1	External resistor bias
1	0	Capacitor bias (Voltage booster)
1	1	Not available
- NOTE)**
1. All the VLC0 – VLC3, CAPH and CAPL pins must be used as bias functions (P7FSR[5:0] = “111111b”) When the capacitor bias is selected for the LCD bias type.
  2. Refer to the P7FSR register for pin functions.
  3. When the capacitor bias is selected for the BTYPE[1:0], DISP is select to “1b” after 1 ms delay
- DISP            LCD Display Control
    - 0            Display off (The LCD block and voltage booster are off)
    - 1            Normal display on (When the BTYPE[1:0] = “10b”, the voltage booster is turn on)

**Program Tip – LCD display on, after capacitor bias selected**

```

LCD_cap_bias:
    AND     LCDCRH, #0xF8
    OR      LCDCRH, #0x04           ;Capacitor bias select
    LCALL   Delay1ms              ;Delay 1ms
    OR      LCDCRH, #0x01         ;Turn on LCD display
    RET
    
```

**LCDCRL (LCD Driver Control Low Register) : 99H**

7	6	5	4	3	2	1	0
IRSEL1	IRSEL0	–	DBS2	DBS1	DBS0	LCLK1	LCLK0
R/W	R/W	–	R/W	R/W	R/W	R/W	R/W

Initial value : 00H

IRSEL Internal LCD Bias Dividing Resistor Select

IRSEL1	IRSEL0	Description
0	0	RLCD = 60kΩ (R <sub>LCD2</sub> )
0	1	RLCD = 30kΩ (R <sub>LCD1</sub> )
1	0	RLCD = 120kΩ (R <sub>LCD3</sub> )
1	1	Not available

DBS[3:0] LCD Duty and Bias Select

DBS2	DBS1	DBS0	Description
0	0	0	1/8 duty, 1/4 bias, RLCD
0	0	1	1/6 duty, 1/4 bias, RLCD
0	1	0	1/5 duty, 1/3 bias, RLCD
0	1	1	1/4 duty, 1/3 bias, RLCD
1	0	0	1/3 duty, 1/3 bias, RLCD
1	0	1	1/3 duty, 1/2 bias, RLCD
1	1	0	1/2 duty, 1/2 bias, RLCD
1	1	1	Not available

LCLK[1:0] LCD Clock Select (When f<sub>WCK</sub>(Watch timer clock)= 32.768 kHz)

LCLK1	LCLK0	Description
0	0	f <sub>LCD</sub> = 128Hz
0	1	f <sub>LCD</sub> = 256Hz
1	0	f <sub>LCD</sub> = 512Hz
1	1	f <sub>LCD</sub> = 1024Hz

**NOTE)**

1. The LCD clock is generated by watch timer clock (f<sub>WCK</sub>). So the watch timer should be enabled when the LCD display is turned on.

LCD clock frequency (f <sub>LCD</sub> )	LCD frame frequency (f <sub>FRAME</sub> )						Unit
	1/2 Duty	1/3 Duty	1/4 Duty	1/5 Duty	1/6 Duty	1/8 Duty	
128	64	43	32	26	21	16	Hz
256	128	85	64	51	43	32	
512	256	171	128	102	85	64	
1024	512	341	256	205	171	128	

**Table 52 LCD Frame Frequency**

The LCD frame frequency is calculated by the following formula:

$$\text{LCD Frame Frequency (f}_{\text{FRAME}}) = \text{f}_{\text{LCD}} \times \text{Duty}[\text{Hz}]$$

Ex) In case of 1/4 duty and f<sub>LCD</sub> = 512Hz, f<sub>FRAME</sub> = f<sub>LCD</sub> × 1/4 = 512 × 1/4 = 128[Hz]

**LCDCCR (LCD Driver Contrast Control Register) : 9BH**

7	6	5	4	3	2	1	0
-	-	-	-	VLCD3	VLCD2	VLCD1	VLCD0
-	-	-	-	R/W	R/W	R/W	R/W

Initial value : 00H

VLCD[3:0] VLCD3 Voltage Control when the capacitor bias is selected

VLCD3	VLCD2	VLCD1	VLCD0	Description
				1/2Bias                      1/3 and 1/4 Bias
0	0	0	0	VLC3 = 1.00V      VLC3 = 0.75V
0	0	0	1	VLC3 = 1.05V      VLC3 = 0.79V
0	0	1	0	VLC3 = 1.10V      VLC3 = 0.83V
0	0	1	1	VLC3 = 1.15V      VLC3 = 0.86V
0	1	0	0	VLC3 = 1.20V      VLC3 = 0.90V
0	1	0	1	VLC3 = 1.25V      VLC3 = 0.94V
0	1	1	0	VLC3 = 1.30V      VLC3 = 0.98V
0	1	1	1	VLC3 = 1.35V      VLC3 = 1.01V
1	0	0	0	VLC3 = 1.40V      VLC3 = 1.05V
1	0	0	1	VLC3 = 1.45V      VLC3 = 1.09V
1	0	1	0	VLC3 = 1.50V      VLC3 = 1.13V
1	0	1	1	VLC3 = 1.55V      VLC3 = 1.16V
1	1	0	0	VLC3 = 1.60V      VLC3 = 1.20V
1	1	0	1	Not available      VLC3 = 1.24V
1	1	1	0	Not available      VLC3 = 1.28V
1	1	1	1	Not available      VLC3 = 1.31V

**NOTE)**

- The VLCD0 voltage can be calculated by the below formulas.
  - $VLC0 = VLC3 \times 2$  ; 1/2 bias
  - $VLC0 = VLC3 \times 3$  ; 1/3 bias
  - $VLC0 = VLC3 \times 4$  ; 1/4 bias, static
- When the 1/4 bias is selected, the VLCD[3:0] value should be between "0000b" and "1101b".

## 11.14 FLASH CRC Generator

### 11.14.1 Overview

The Flash CRC (cyclic redundancy check) generator is used to get a 16-bit CRC code from Flash ROM and a generator polynomial.

Among other applications, CRC-based techniques are used to verify data transmission or storage integrity. In the scope of the functional safety standards, they offer a means of verifying the Flash memory integrity. The CRC generator helps compute a signature of the software during runtime, to be compared with a reference signature.

The CRC generator has following features:

- Auto CRC and User CRC Mode
- CRC Clock :  $f_{IRC}$ ,  $f_{IRC}/2$ ,  $f_{IRC}/4$ ,  $f_{IRC}/8$  and  $f_x$  (Main system clock)
- CRC-16 polynomial: 0x8C81

$$X^{16} + X^{15} + X^{11} + X^{10} + X^7 + 1$$

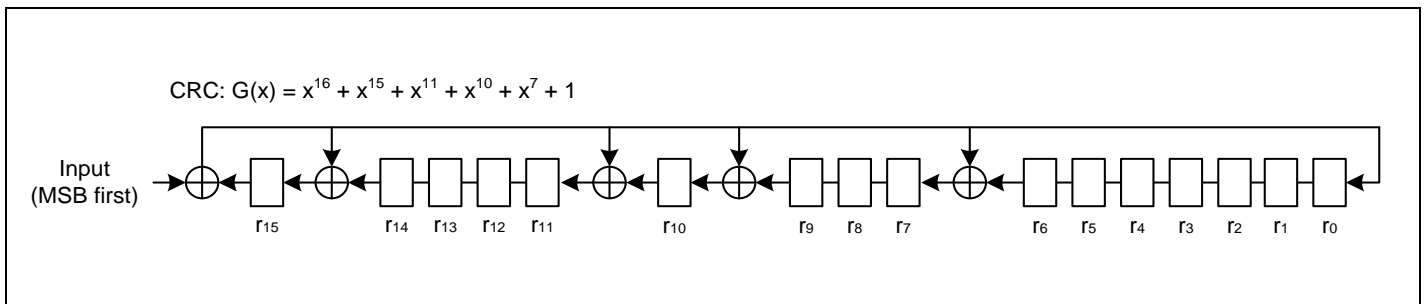


Figure 113 CRC-16 polynomial structure

**The CRC operation procedure in Auto CRC/Checksum mode**

1. Global interrupt Disable (EA = 0)
2. Select Auto CRC/Checksum Mode and CRC
3. Select CRC Clock
4. Set CRC start address register (FCSARH/FCSARM/FCSARL)
5. Set CRC end address register (FCEARH/FCEARM/FCEARL)
6. CRC operation starts (CRCRUN = 1)
7. Read the CRC result
8. Global interrupt Enable (EA = 1)

**Program Tip – Auto CRC/Checksum mode**

```

//**** Global interrupt Disable
EA = 0;

//**** Flash CRC Auto CRC/Checksum Mode and CRC
FCCR &= _0101_1111;

OSCCR &= _1111_1011;          // IRC Enable
FCCR &= _1111_0001;          // CRC clk = fIRC/1

//**** CRC start address set
FCSARH = 0x00;
FCSARM = 0x00;
FCSARL = 0x00;

//**** CRC end address set
FCEARH = 0x00;
FCEARM = 0x3F;
FCEARL = 0xFF;

//**** CRC start
FCCR |= _0000_0001;
_nop_();          //Dummy instruction, This instruction must be needed.
_nop_();          //Dummy instruction, This instruction must be needed.
_nop_();          //Dummy instruction, This instruction must be needed.

//**** Read CRC result
Temp0 = FCDRH;
Temp1 = FCDRL;

//**** Global interrupt Enable
EA = 1;

```

**NOTE)**

1. Three or more NOP instructions must immediately follow the CRC start operation in auto CRC/Checksum mode.
2. During a CRC operation(when CRCRUN bit is Running state) in auto CRC/Checksum mode, the CPU is hold and the global interrupt is on disable state regardless of the IE.7 (EA) bit. But should be set the global interrupt is disabled (EA = 0) before the CRC operation is started in use auto CRC/Checksum mode, recommend.



**The CRC operation procedure in User CRC/Checksum mode**

1. Select User CRC/Checksum Mode and CRC
2. Clear Flash CRC data register(FCDRH/FCDRL)
3. Read data from the Flash ROM
4. Write the data to FCDIN Register
5. Read the CRC result

**Program Tip – User CRC/Checksum mode**

```
unsigned char code *rom_addr=0x0000;
unsigned int i=0;

FCCR |= _1000_0000; // Flash CRC User CRC/Checksum Mode
FCCR &= _1101_1111; // Flash CRC CRC Mode
FCCR |= _0100_0000; // Flash CRC data register clear

for(i=0x0000; i <= 0x3FFF; i++) // 0000H~3FFFH
{
    FCDIN = rom_addr[i];
    WDTCR |= _0010_0000; // Clear WDT counter
}

//**** Read CRC result
Temp0 = FCDRH;
Temp1 = FCDRL;
```

**The Checksum operation procedure in Auto CRC/Checksum mode**

1. Global interrupt Disable (EA = 0)
2. Select Auto CRC/Checksum Mode and Checksum
3. Select CRC Clock
4. Set CRC start address register (FCSARH/FCSARM/FCSARL)
5. Set CRC end address register (FCEARH/FCEARM/FCEARL)
6. CRC operation starts (CRCRUN = 1)
7. Read the Checksum result
8. Global interrupt Enable (EA = 1)

**Program Tip – Auto CRC/Checksum mode**

```

//**** Global interrupt Disable
EA = 0;

//**** Flash CRC Auto CRC/Checksum Mode and Checksum
FCCR &= _0111_1111;
FCCR |= _0010_0000;           // Checksum mode

OSCCR &= _1111_1011;         // IRC Enable
FCCR &= _1111_0001;         // CRC clk = fIRC/1

//**** Checksum start address set
FCSARH = 0x00;
FCSARM = 0x00;
FCSARL = 0x00;

//**** Checksum end address set
FCEARH = 0x00;
FCEARM = 0x3F;
FCEARL = 0xFF;

//**** Checksum start
FCCR |= _0000_0001;
_nop_();                     //Dummy instruction, This instruction must be needed.
_nop_();                     //Dummy instruction, This instruction must be needed.
_nop_();                     //Dummy instruction, This instruction must be needed.

//**** Read Checksum result
Temp0 = FCDRH;
Temp1 = FCDRL;

//**** Global interrupt Enable
EA = 1;

```

**NOTE)**

1. Three or more NOP instructions must immediately follow the Checksum start operation in auto CRC/Checksum mode.
2. During a Checksum operation(when CRCRUN bit is Running state) in auto CRC/Checksum mode, the CPU is hold and the global interrupt is on disable state regardless of the IE.7 (EA) bit. But should be set the global interrupt is disabled (EA = 0) before the Checksum operation is started in use auto CRC/Checksum mode, recommend.

**The Checksum operation procedure in User CRC/Checksum mode**

1. Select User CRC/Checksum Mode and Checksum
2. Clear Flash CRC data register(FCDRH/FCDRL)
3. Read data from the Flash ROM
4. Write the data to FCDIN Register
5. Read the Checksum result

**Program Tip – User CRC/Checksum mode**

```
unsigned char code *rom_addr=0x0000;
unsigned int i=0;

FCCR |= _1000_0000; // Flash CRC User CRC/Checksum Mode
FCCR &= _0010_0000; // Flash CRC Checksum
FCCR |= _0100_0000; // Flash CRC data register clear

for(i=0x0000; i <= 0x3FFF; i++) // 0000H~3FFFH
{
    FCDIN = rom_addr[i];
    WDTCR |= _0010_0000; // Clear WDT counter
}

//**** Read Checksum result
Temp0 = FCDRH;
Temp1 = FCDRL;
```

11.14.2 Block Diagram

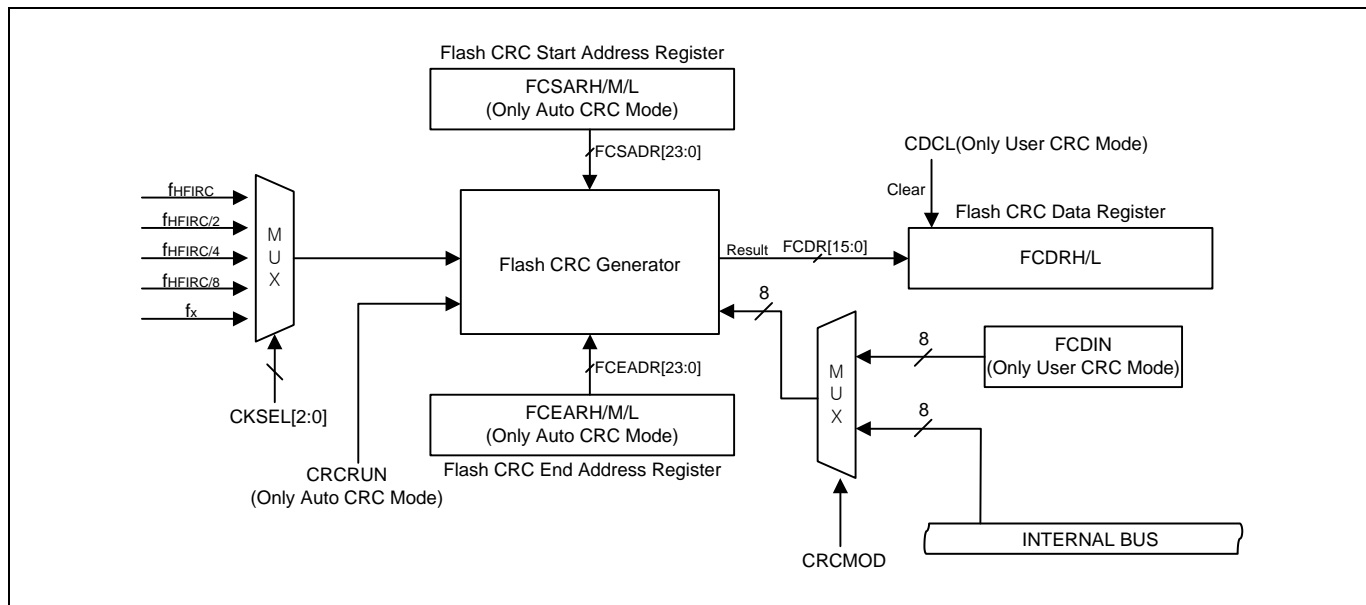


Figure 114 Flash CRC Generator Block Diagram

11.14.3 Register Map

Name	Address	Direction	Default	Description
FCSARH	5050H (XSFR)	R/W	00H	Flash CRC Start Address High Register
FCEARH	5051H (XSFR)	R/W	00H	Flash CRC End Address High Register
FCSARM	5052H (XSFR)	R/W	00H	Flash CRC Start Address Middle Register
FCEARM	5053H (XSFR)	R/W	00H	Flash CRC End Address Middle Register
FCSARL	5054H (XSFR)	R/W	00H	Flash CRC Start Address Low Register
FCEARL	5055H (XSFR)	R/W	0FH	Flash CRC End Address Low Register
FCCR	5056H (XSFR)	R/W	00H	Flash CRC Control Register
FCDRH	5057H (XSFR)	R	FFH	Flash CRC Data High Register
FCDRL	5058H (XSFR)	R	FFH	Flash CRC Data Low Register
FCDIN	AFH	R/W	00H	Flash CRC Data In Register

Table 53 Flash CRC Generator Register Map

### 11.14.4 Flash CRC Generator Register Description

The flash CRC generator register consists of flash CRC start address high/middle/low register (FCSARH/FCSARM/FCSARL), flash CRC end address high/middle/low register (FCEARH/FCEARM/FCEARL), flash CRC control register (FCCR), flash CRC data high/low register (FCDRH/FCDL) and flash CRC data In register (FCDIN).

### 11.14.5 Register Description for Flash CRC Generator

#### FCSARH (Flash CRC Start Address High Register): 5050H

7	6	5	4	3	2	1	0
–	–	–	–	–	–	–	FCSARH0
–	–	–	–	–	–	–	R/W

Initial value: 00H

FCSARH0 Flash CRC Start Address High

**NOTE)**

- Used only to Auto CRC Mode.

#### FCSARM (Flash CRC Start Address Middle Register): 5052H

7	6	5	4	3	2	1	0
FCSARM7	FCSARM6	FCSARM5	FCSARM4	FCSARM3	FCSARM2	FCSARM1	FCSARM0
R/W	R/W	R/W	R/W	R/W	R/W	R/W	R/W

Initial value: 00H

FCSARM[7:0] Flash CRC Start Address Middle

**NOTE)**

- Used only to Auto CRC Mode.

#### FCSARL (Flash CRC Start Address Low Register): 5054H

7	6	5	4	3	2	1	0
FCSARL7	FCSARL6	FCSARL5	FCSARL4	FCSARL3	FCSARL2	FCSARL1	FCSARL0
R/W	R/W	R/W	R/W	–	–	–	–

Initial value: 00H

FCSARL[7:4] Flash CRC Start Address Low

**NOTE)**

- Used only to Auto CRC Mode.

FCSARL[3:0] These bits are always "0000b".

**FCEARH (Flash CRC End Address High Register): 5051H**

7	6	5	4	3	2	1	0
–	–	–	–	–	–	–	FCEARH0
–	–	–	–	–	–	–	R/W

Initial value: 00H

FCEARH0 Flash CRC End Address High

**NOTE)**

1. Used only to Auto CRC Mode.

**FCEARM (Flash CRC End Address Middle Register): 5053H**

7	6	5	4	3	2	1	0
FCEARM7	FCEARM6	FCEARM5	FCEARM4	FCEARM3	FCEARM2	FCEARM1	FCEARM0
R/W	R/W	R/W	R/W	R/W	R/W	R/W	R/W

Initial value: 00H

FCEARM[7:0] Flash CRC End Address Middle

**NOTE)**

1. Used only to Auto CRC Mode.

**FCEARL (Flash CRC End Address Low Register): 5055H**

7	6	5	4	3	2	1	0
FCEARL7	FCEARL6	FCEARL5	FCEARL4	FCEARL3	FCEARL2	FCEARL1	FCEARL0
R/W	R/W	R/W	R/W	–	–	–	–

Initial value: 0FH

FCEARL[7:4] Flash CRC End Address Low

**NOTE)**

1. Used only to Auto CRC Mode.

FCEARL[3:0] These bits are always “1111b”.

**FCDRH (Flash CRC Data High Register): 5057H**

7	6	5	4	3	2	1	0
FCDRH7	FCDRH6	FCDRH5	FCDRH4	FCDRH3	FCDRH2	FCDRH1	FCDRH0
R	R	R	R	R	R	R	R

Initial value: FFH

FCDRH[7:0] Flash CRC Data High

**FCDRL (Flash CRC Data Low Register): 5058H**

7	6	5	4	3	2	1	0
FCDRL7	FCDRL6	FCDRL5	FCDRL4	FCDRL3	FCDRL2	FCDRL1	FCDRL0
R	R	R	R	R	R	R	R

Initial value: FFH

FCDRL[7:0] Flash CRC Data Low

**FCDIN (Flash CRC Data IN Register): AFH**

7	6	5	4	3	2	1	0
FCDIN7	FCDIN6	FCDIN5	FCDIN4	FCDIN3	FCDIN2	FCDIN1	FCDIN0
R/W	R/W	R/W	R/W	R/W	R/W	R/W	R/W

Initial value: 00H

FCDIN[7:0] Flash CRC Data In

**NOTE)**

- Used only to Auto CRC Mode.

**FCCR (Flash CRC Control Register): 5056H**

7	6	5	4	3	2	1	0
CRCMOD	CDCL	MDSEL	–	CKSEL2	CKSEL1	CKSEL0	CRCRUN
R/W	R/W	R/W	–	R/W	R/W	R/W	R/W

Initial value: 00H

CRCMOD Select CRC/Checksum Mode

- 0 Auto CRC/Checksum Mode
- 1 User CRC/Checksum Mode

CDCL Flash CRC Data Register Clear

- 0 No effect
- 1 Clear Flash CRC Data register

**NOTE)**

- This bit is cleared to '0' automatically after Flash CRC Data register is cleared. The FCDRH/L is set to "FFH" if the MDSEL is set to "0b" and "00H" if the MDSEL is set to "1b". Used only to User CRC/Checksum Mode.

MDSEL CRC/Checksum Selection

- 0 Select CRC
- 1 Select Checksum

CKSEL[2:0] Select Flash CRC/Checksum Clock

CKSEL2	CKSEL1	CKSEL0	Description
0	0	0	$f_{HFIRC}$
0	0	1	$f_{HFIRC}/2$
0	1	0	$f_{HFIRC}/4$
0	1	1	$f_{HFIRC}/8$
1	0	0	$f_x(\text{system clock})$
Other values			Not used

CRCRUN CRC/Checksum Start Signal &amp; Busy Flag, Used only to Auto CRC/Checksum mode

- 0 Indicates that CRC/Checksum operation is not running or has finished. When written "0", CRC/Checksum operation is finished by force even if CRC/Checksum operation is running. It has no effect to write "0" if CRC/Checksum is not running currently.
- 1 When written "1", CRC/Checksum operation starts and this bit remains "1" as long as CRC/Checksum operation is on-going. This bit is cleared to "0" automatically after CRC/Checksum operation finishes.

**NOTE)**

- If  $f_{HFIRC}$ ,  $f_{HFIRC}/2$ ,  $f_{HFIRC}/4$  and  $f_{HFIRC}/8$  is selected, HFIRCE must be cleared to '0' at OSMCR.

## 12 Power Down Operation

### 12.1 Overview

The A96R739 has two power-down modes to minimize the power consumption of the device. In power down mode, power consumption is reduced considerably. The device provides three kinds of power saving functions, Main-IDLE, Sub-IDLE and STOP mode. In three modes, program is stopped.

### 12.2 Peripheral Operation in IDLE/STOP Mode

Peripheral	IDLE mode	STOP mode
CPU	ALL CPU Operation are Disable	ALL CPU Operation are Disable
RAM	Retain	Retain
Basic Interval Timer	Operates Continuously	Stop
Watch Dog Timer	Operates Continuously	Stop (Can be operated with WDTRC OSC)
Watch Timer	Operates Continuously	Stop (Can be operated with sub clock)
Timer0~3 Interval Timer	Operates Continuously	Halted (Only when the Event Counter Mode is Enabled, Timer operates Normally)
BUZ	Operates Continuously	Stop
ADC	Operates Continuously	Stop
UART	Operates Continuously	Stop
LCD Controller	Operates Continuously	Stop (Can be operated with sub clock)
Internal OSC	Oscillation	Stop when the system clock (fx) is f <sub>HFIRC</sub> or f <sub>LFIRC</sub>
WDTRC OSC (5kHz)	Can be operated with setting value	Can be operated with setting value
Main OSC	Oscillation	Stop when fx = f <sub>XIN</sub>
Sub OSC (32.768kHz)	Oscillation	Stop when fx = f <sub>SUB</sub>
I/O Port	Retain	Retain
Control Register	Retain	Retain
Address Data Bus	Retain	Retain
Release Method	By RESET, all Interrupts	By RESET, Timer Interrupt (EC0, EC2), External Interrupt, UART by RX, WT, WDT

**Table 54 Peripheral Operation during Power Down Mode**



### 12.3 IDLE Mode

The power control register is set to '01h' to enter the IDLE Mode. In this mode, the internal oscillation circuits remain active. Oscillation continues and peripherals are operated normally but CPU stops. It is released by reset or interrupt. To be released by interrupt, interrupt should be enabled before IDLE mode. If using reset, because the device becomes initialized state, the registers have reset value.

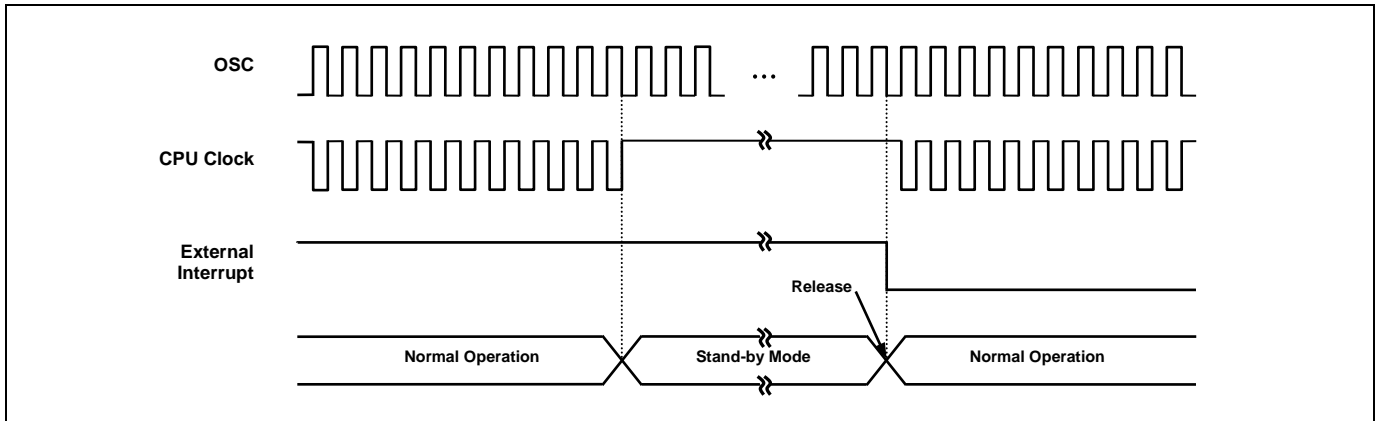


Figure 115 IDLE Mode Release Timing by External Interrupt

## 12.4 STOP Mode

The power control register is set to '03H' to enter the STOP Mode. In the stop mode, the selected oscillator, system clock and peripheral clock is stopped, but watch timer can be continued to operate with sub clock. With the clock frozen, all functions are stopped, but the on-chip RAM and control registers are held. For example, If the high frequency internal RC oscillator ( $f_{HFIRC}$ ) is selected for the system clock and the sub clock ( $f_{SUB}$ ) is oscillated, the internal RC oscillator stops oscillation and the sub clock is continuously oscillated in stop mode. At that time, the watch timer and LCD controller can be operated with the sub clock.

The source for exit from STOP mode is hardware reset and interrupts. The reset re-defines all the control registers. When exit from STOP mode, enough oscillation stabilization time is required to normal operation. Figure 12.2 shows the timing diagram. When released from STOP mode, the Basic interval timer is activated on wake-up. Therefore, before STOP instruction, user must be set its relevant prescale divide ratio to have long enough time. This guarantees that oscillator has started and stabilized.

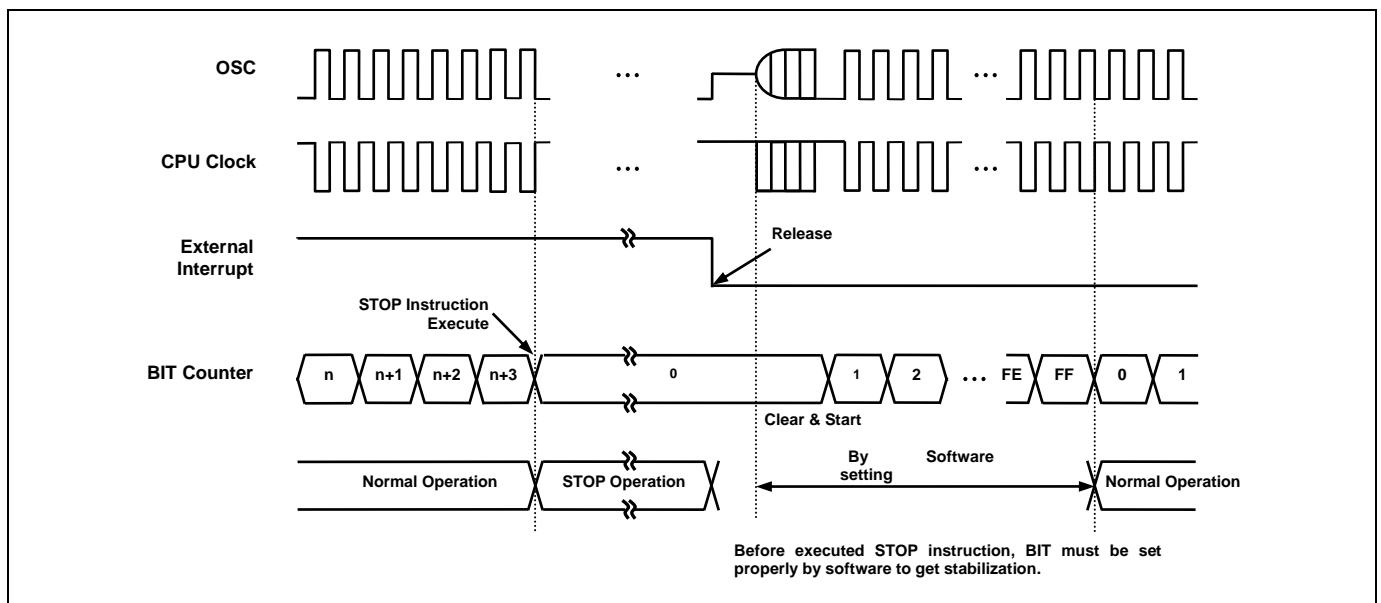


Figure 116 STOP Mode Release Timing by External Interrupt

### 12.5 Release Operation of STOP Mode

After STOP mode is released, the operation begins according to content of related interrupt register just before STOP mode start (Figure 12.3). If the global interrupt Enable Flag (IE.EA) is set to `1`, the STOP mode is released by the interrupt which each interrupt enable flag = `1` and the CPU jumps to the relevant interrupt service routine. Even if the IE.EA bit is cleared to `0`, the STOP mode is released by the interrupt of which the interrupt enable flag is set to `1`.

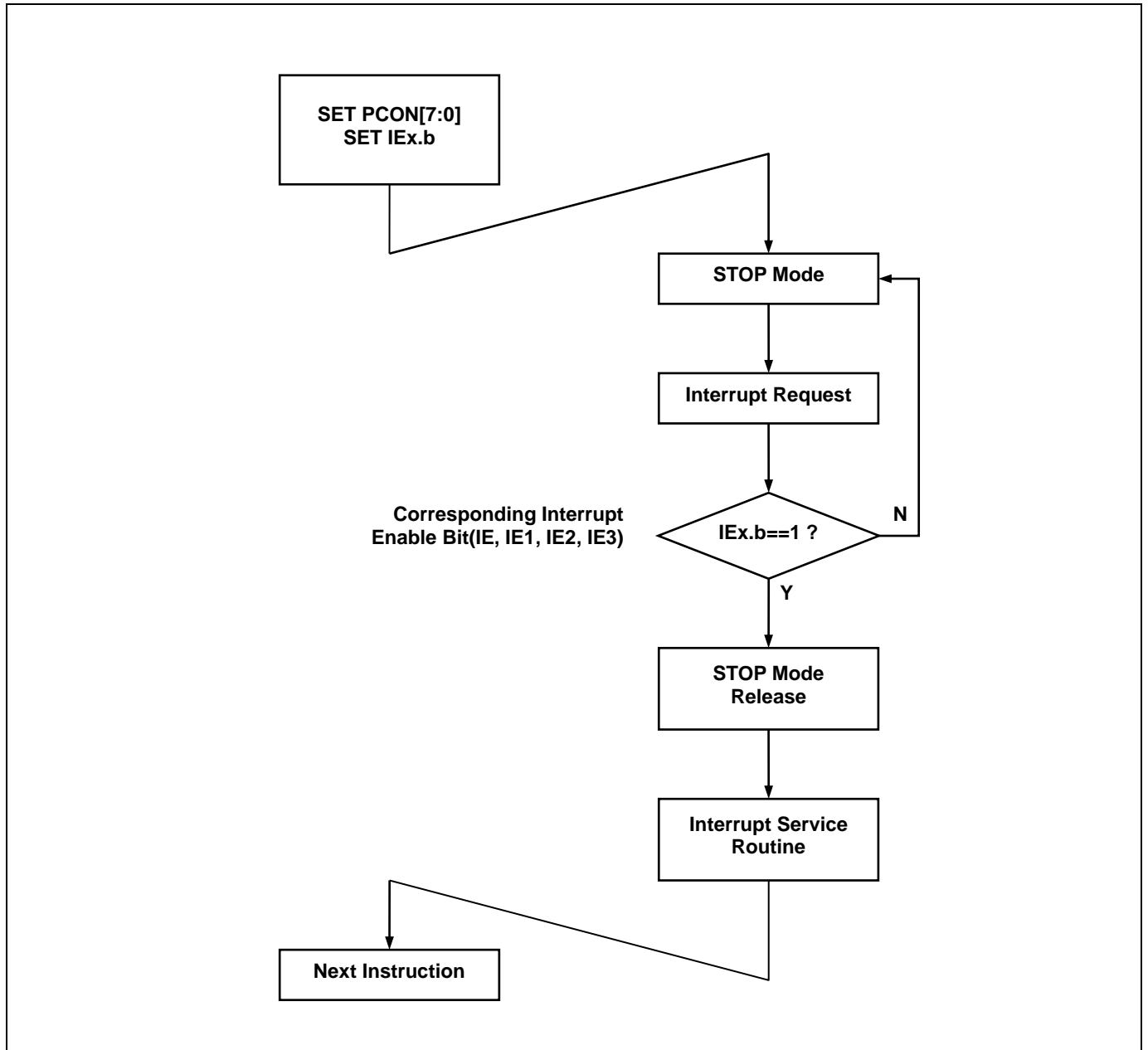


Figure 117 STOP Mode Release Flow

## 12.6 Register Map

Name	Address	Dir	Default	Description
PCON	87H	R/W	00H	Power Control Register

Table 55 Power Down Operation Register Map

## 12.7 Power Down Operation Register Description

The power down operation register consists of the power control register (PCON).

## 12.8 Register Description for Power Down Operation

PCON (Power Control Register) : 87H

7	6	5	4	3	2	1	0
PCON7	–	–	–	PCON3	PCON2	PCON1	PCON0
R/W	–	–	–	R/W	R/W	R/W	R/W

Initial value : 00H

PCON[7:0] Power Control  
 01H IDLE mode enable  
 03H STOP mode enable

**NOTE)**

1. To enter IDLE mode, PCON must be set to '01H'.
2. To enter STOP mode, PCON must be set to '03H'.
3. The PCON register is automatically cleared by a release signal in STOP/IDLE mode.
4. Three or more NOP instructions must immediately follow the instruction that make the device enter STOP/IDLE mode. Refer to the following examples.

```
Ex1) MOV    PCON, #01H    ; IDLE mode
      NOP
      NOP
      NOP
      .
      .
      .
```

```
Ex2) MOV    PCON, #03H    ; STOP mode
      NOP
      NOP
      NOP
      .
      .
      .
```

# 13 RESET

## 13.1 Overview

The following is the hardware setting value.

On Chip hardware	Initial value
Program Counter (PC)	0000h
Accumulator	00h
Stack Pointer (SP)	07h
Peripheral Clock	On
Control Register	Refer to the Peripheral Registers

Table 56 Reset State

## 13.2 Reset Source

The A96R739 has six types of reset sources. The following is the reset sources.

- External RESETB
- Power ON RESET (POR)
- WDT Overflow Reset
- Low Voltage Reset (In the case of LVREN = `0`)
- Low Current Low Voltage Reset (In the case of LCLVREN = `1`)
- OCD Reset

## 13.3 RESET Block Diagram

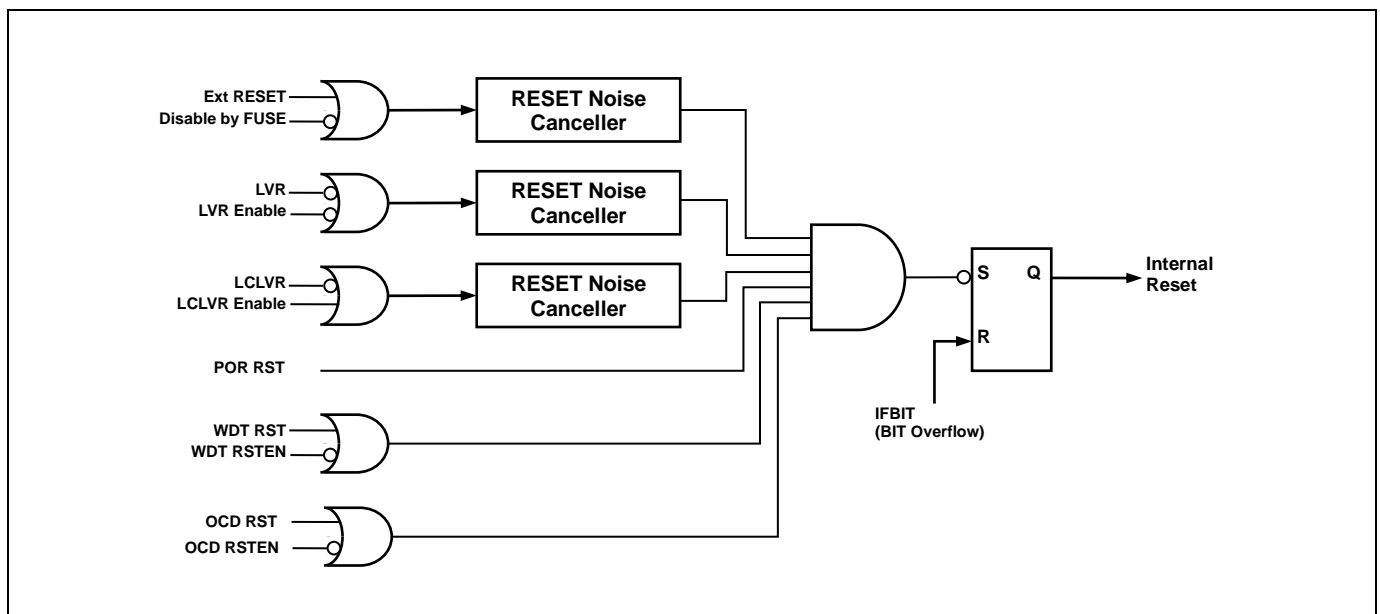


Figure 118 RESET Block Diagram

### 13.4 RESET Noise Canceller

The Figure 13.2 is the noise canceller diagram for noise cancellation of RESET. It has the noise cancellation value of about 2us(@V<sub>DD</sub>=5V) to the low input of system reset.

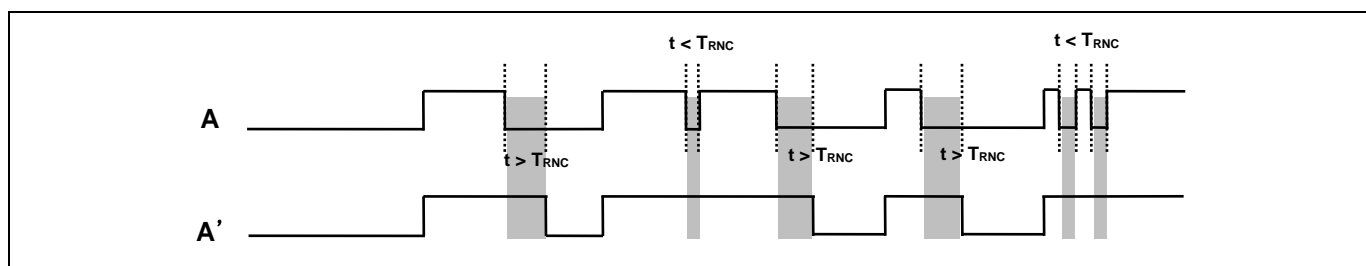


Figure 119 Reset noise canceller timer diagram

### 13.5 Power on RESET

When rising device power, the POR (Power On Reset) has a function to reset the device. If POR is used, it executes the device RESET function instead of the RESET IC or the RESET circuits.

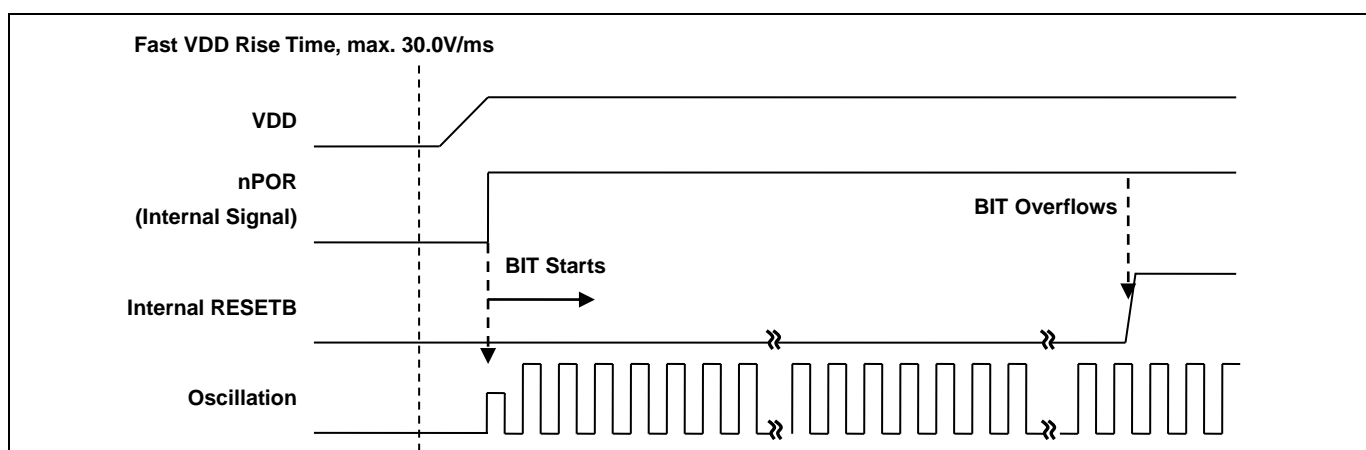


Figure 120 Fast VDD Rising Time

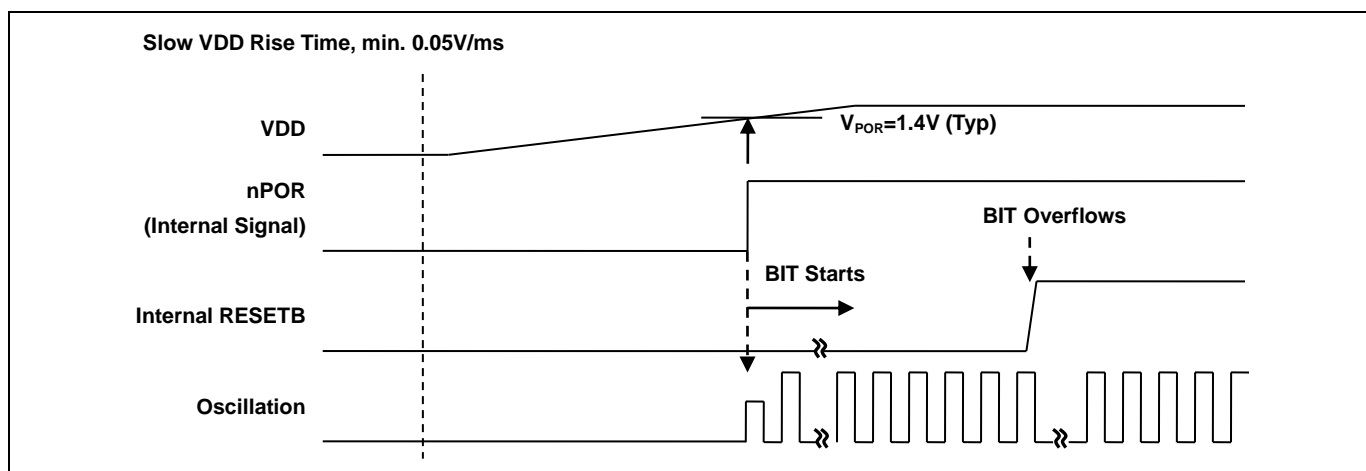


Figure 121 Internal RESET Release Timing On Power-Up

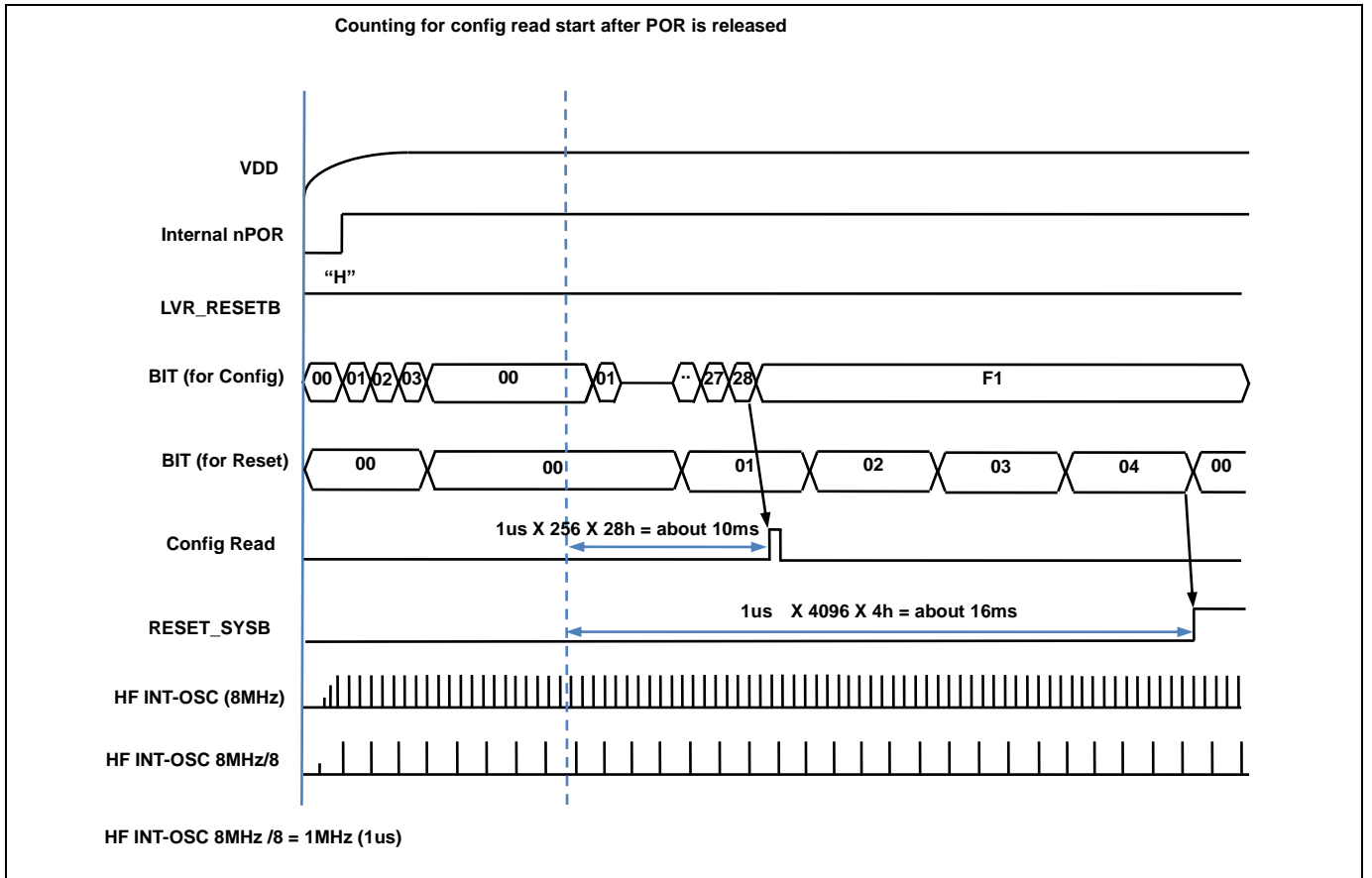


Figure 122 Configuration Timing when Power-on

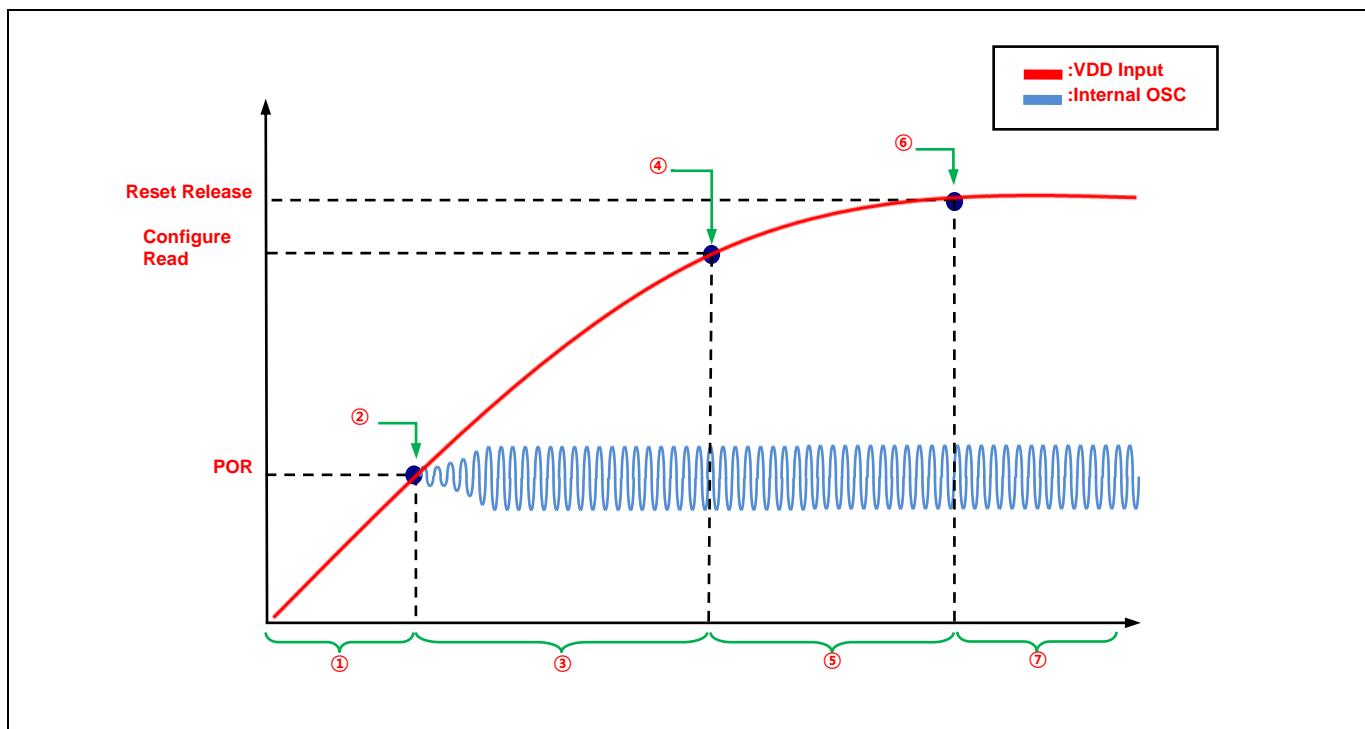


Figure 123 Boot Process WaveForm

Process	Description	Remarks
①	- No Operation	
②	- 1st POR level Detection	- about 1.4V
③	- (HF INT-OSC 8MHz/8)x256x28h Delay section (=10ms) - VDD input voltage must rise over than flash operating voltage for Config read	- Slew Rate $\geq$ 0.05V/ms
④	- Config read point	- about 1.5V ~ 1.6V - Config Value is determined by Writing Option
⑤	- Rising section to Reset Release Level	- 16ms point after POR release
⑥	- Reset Release section (BIT overflow) i) 16ms point after POR (POR only)	- BIT is used for Peripheral stability
⑦	- Normal operation	

Table 57 Boot Process Description



### 13.6 External RESETB Input

The External RESETB is the input to a Schmitt trigger. If RESETB pin is held with low for at least 10us over within the operating voltage range and stable oscillation, it is applied and the internal state is initialized. After reset state becomes '1', it needs the stabilization time with 16ms and after the stable state, the internal RESET becomes '1'. The Reset process step needs 5 oscillator clocks. And the program execution starts at the vector address stored at address 0000H.

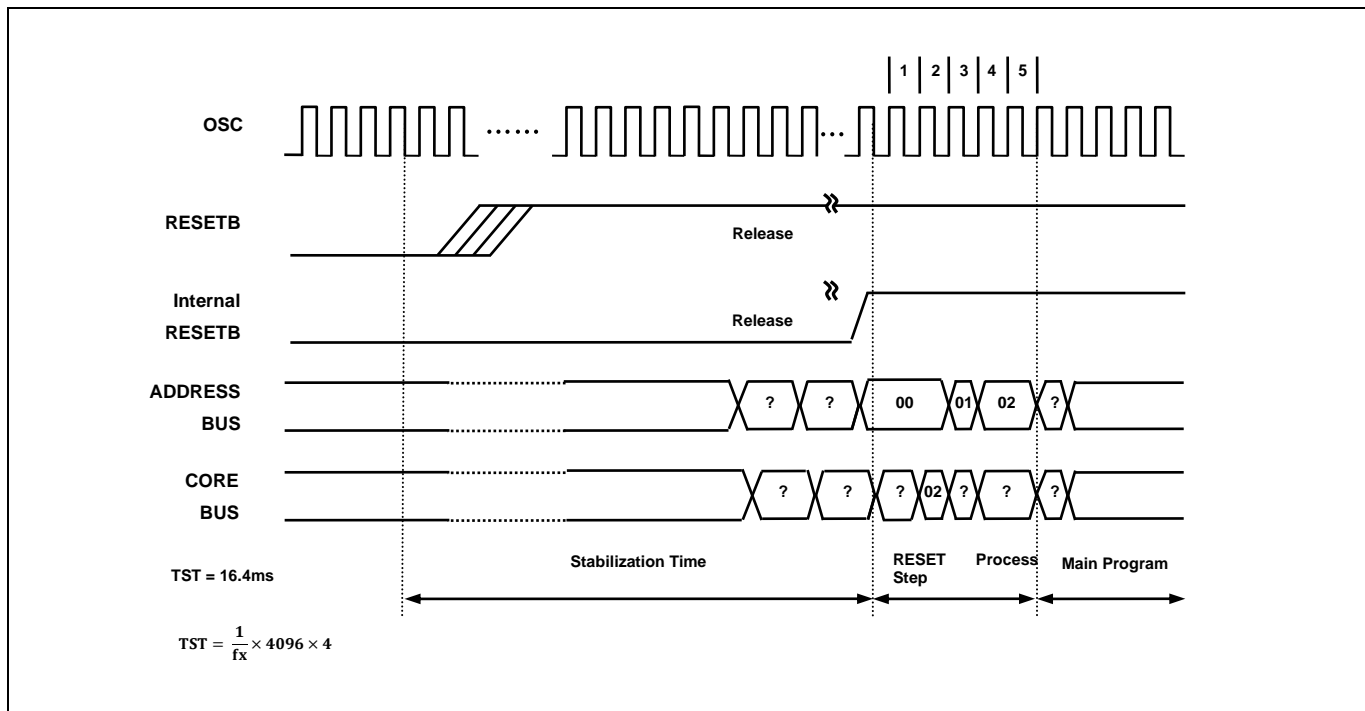


Figure 124 Timing Diagram after RESET

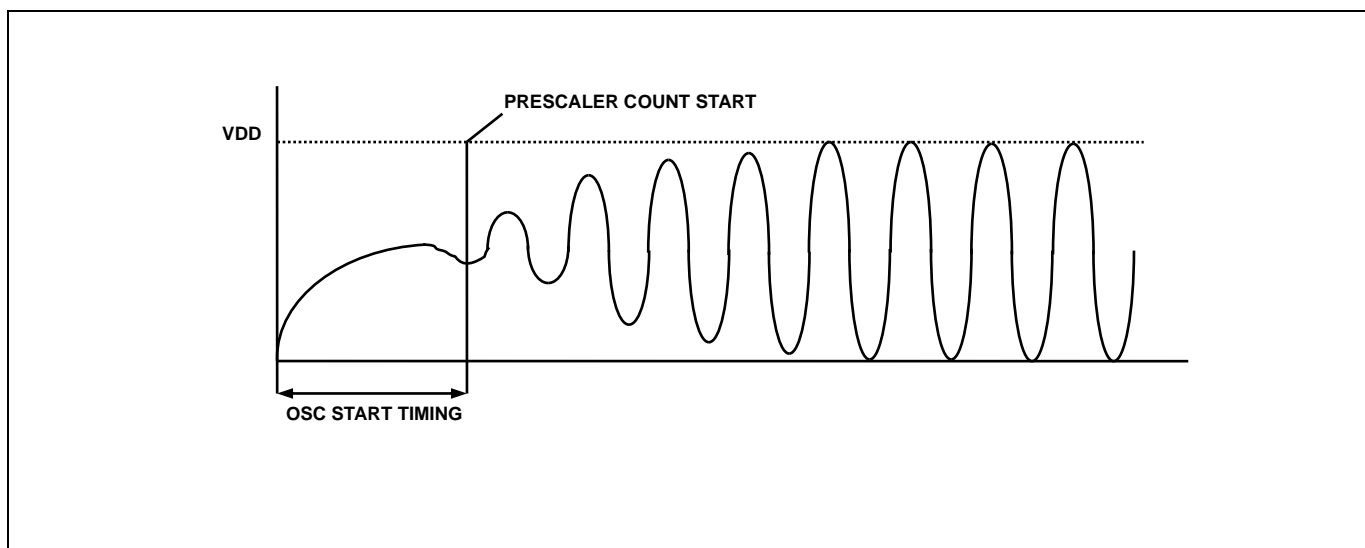


Figure 125 Oscillator generating waveform example

NOTE)

1. As shown Figure 13.8, the stable generating time is not included in the start-up time.
2. The RESETB pin has a Pull-up resistor by H/W.

### 13.7 Brown Out Detector Processor

The A96R739 has an On-chip brown-out detection circuit(BOD) for monitoring the VDD level during operation by comparing it to a fixed trigger level. The trigger level for the BOD can be selected by LVRVS[3:0]. In the STOP mode, this will contribute significantly to the total current consumption. So to minimize the current consumption, the LVREN bit is set to off by software.

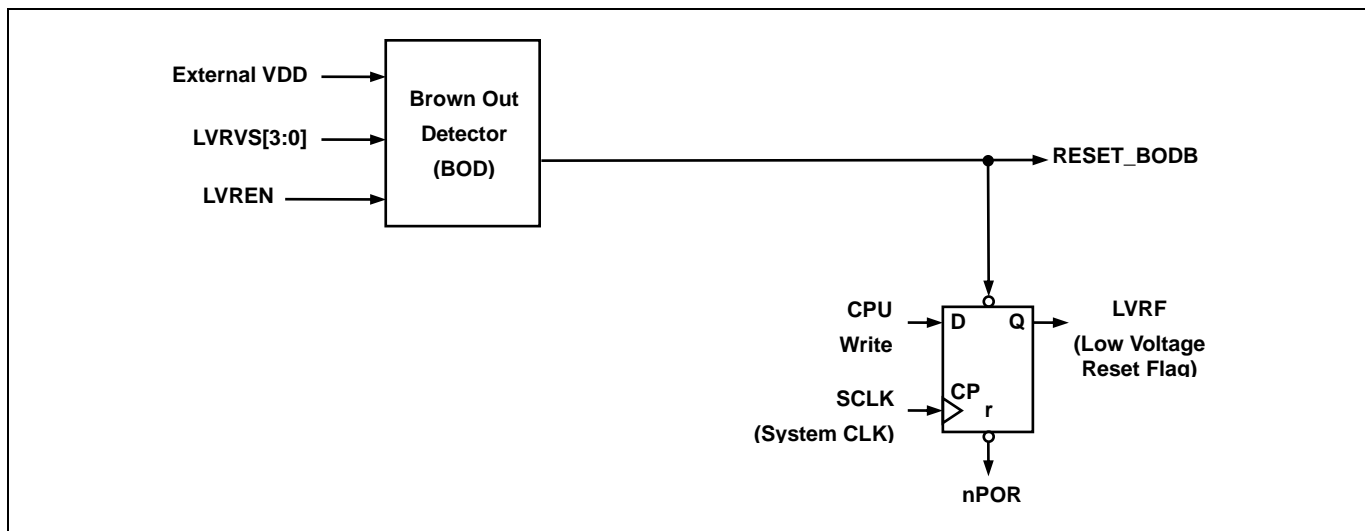


Figure 126 Block Diagram of BOD

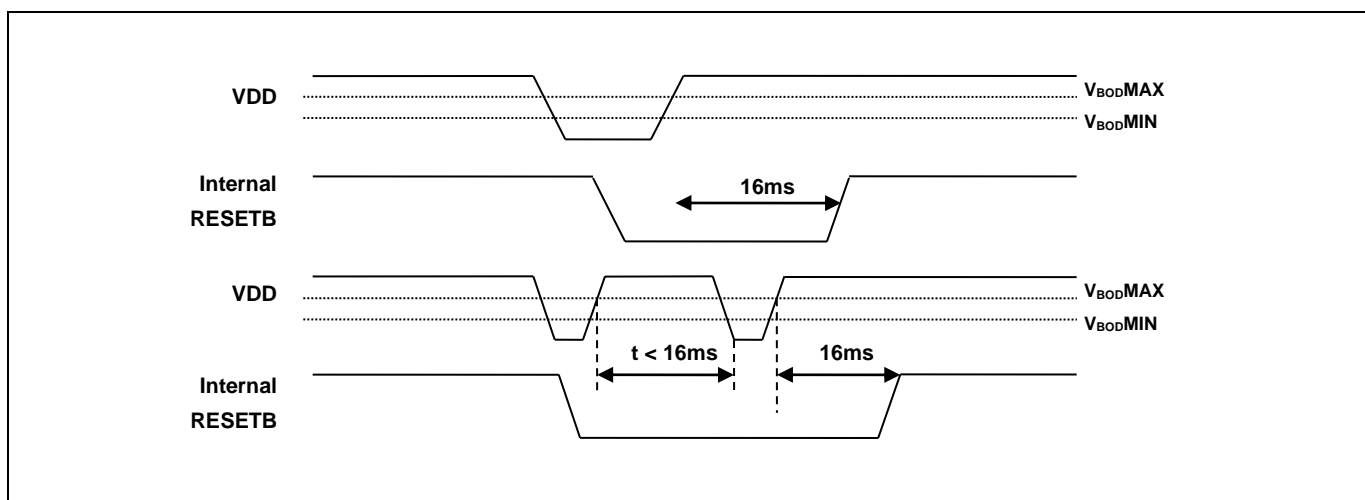


Figure 127 Internal Reset at the power fail situation

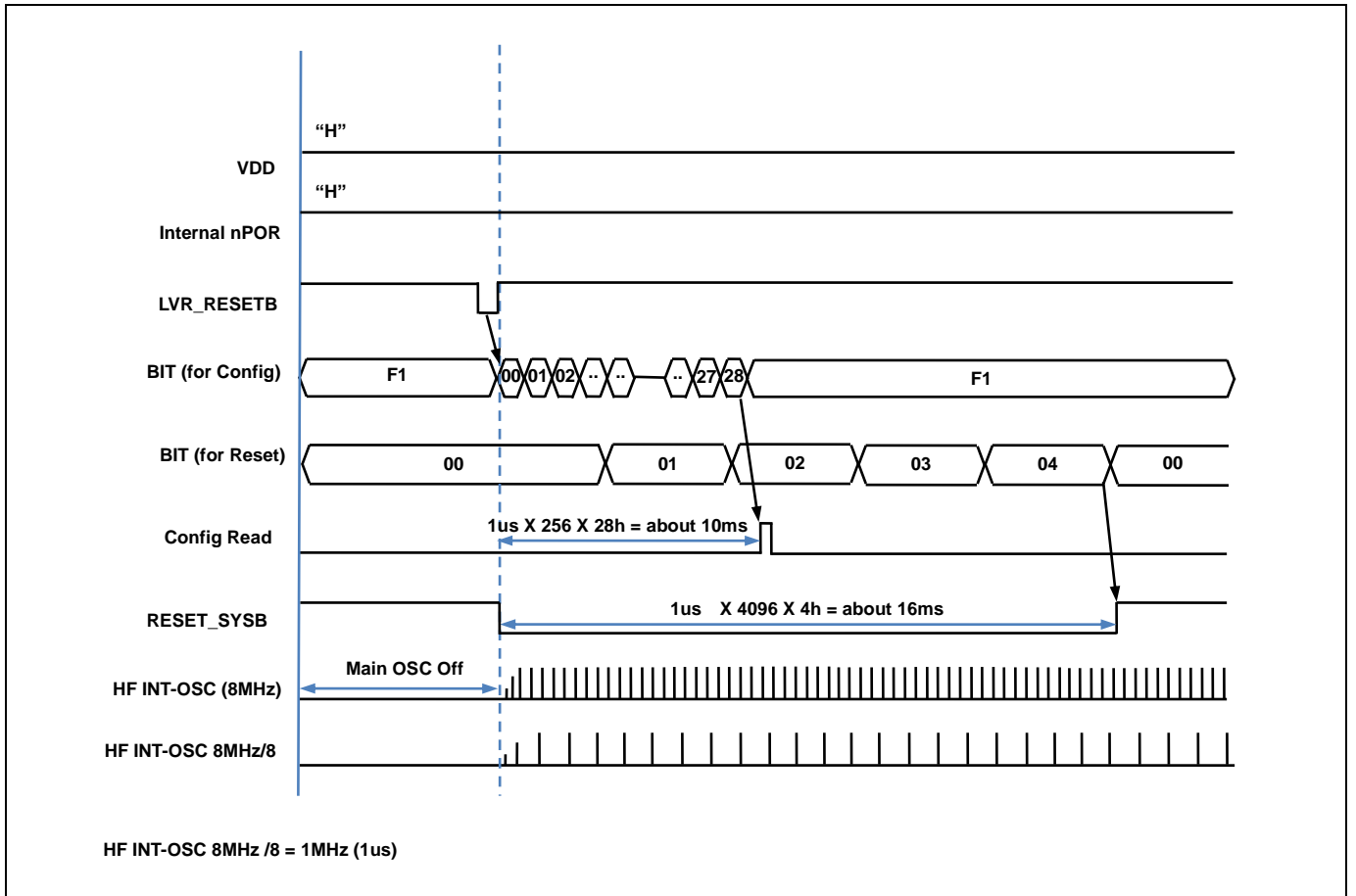


Figure 128 Configuration timing when BOD RESET

### 13.8 LVI Block Diagram

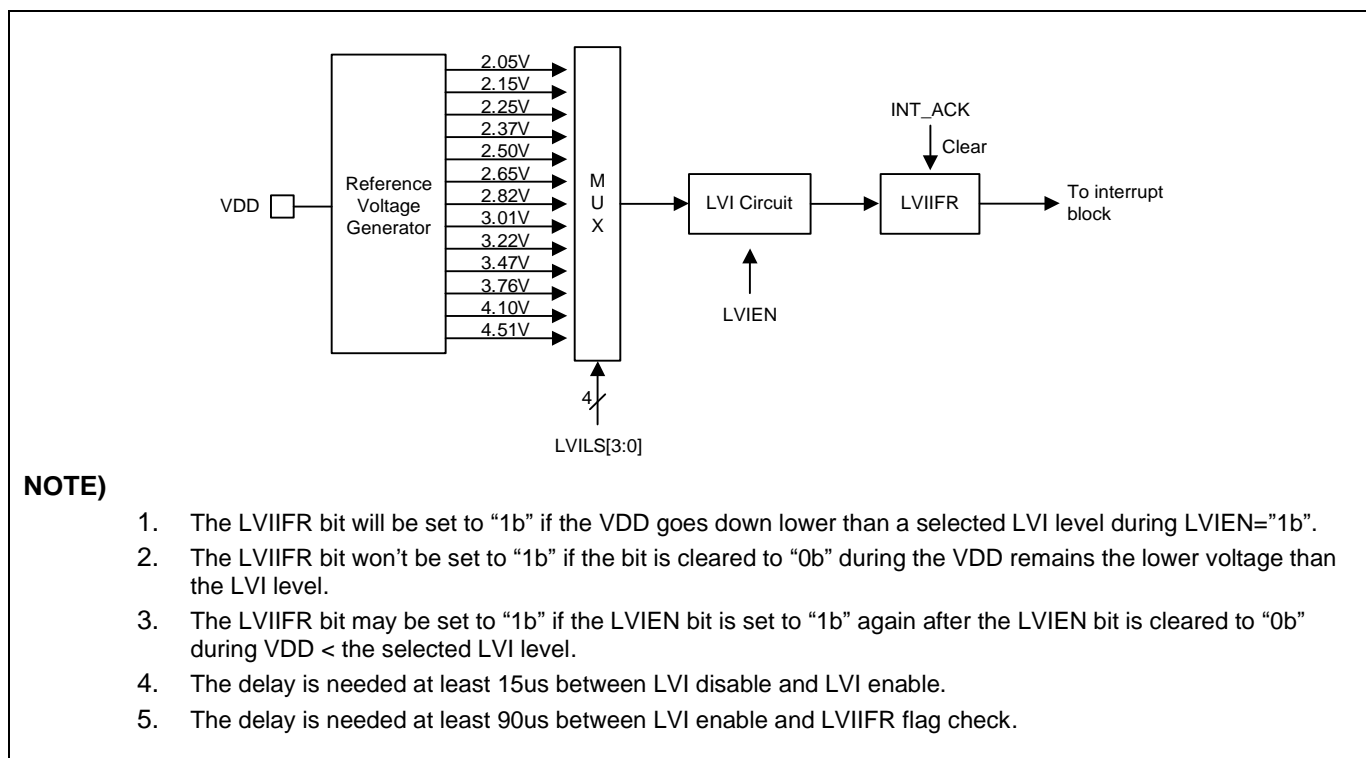


Figure 129 LVI Diagram

### 13.9 Register Map

Name	Address	Direction	Default	Description
LVICR	86H	R/W	00H	Low Voltage Indicator Control Register
RSTFR	E8H	R/W	80H	Reset Flag Register
LVRCCR	D8H	R/W	00H	Low Voltage Reset Control Register

Table 58 Reset Operation Register Map

#### 13.10 Reset Operation Register Description

The reset control register consists of the reset flag register (RSTFR), low voltage reset control register (LVRCCR) and low voltage indicator control register (LVICR).

## 13.11 Register Description for Reset Operation

### RSTFR (Reset Flag Register) : E8H

7	6	5	4	3	2	1	0
PORF	EXTRF	WDTRF	OCDRF	LVRF	LCLVRF	–	–
R/W	R/W	R/W	R/W	R/W	R/W	–	–

Initial value : 80H

PORF	Power-On Reset flag bit. The bit is reset by writing '0' to this bit.
0	No detection
1	Detection
EXTRF	External Reset flag bit. This bit is reset by writing '0' to this bit or by Power-On Reset
0	No detection
1	Detection
WDTRF	Watch Dog Reset flag bit. The bit is reset by writing '0' to this bit or by Power-On Reset.
0	No detection
1	Detection
OCDRF	On-Chip Debug Reset flag bit. The bit is reset by writing '0' to this bit or by Power-On Reset.
0	No detection
1	Detection
LVRF	Low Voltage Reset flag bit. The bit is reset by writing '0' to this bit or by Power-On Reset.
0	No detection
1	Detection
LCLVRF	Low Current Low Voltage Reset flag bit. The bit is reset by writing '0' to this bit or by Power-On Reset.
0	No detection
1	Detection

#### NOTE)

1. When the Power-On Reset occurs, the PORF bit is only set to "1", the other flag (WDTRF and OCDRF) bits are all cleared to "0".
2. When the Power-On Reset occurs, the EXTRF bit is unknown. At that time the EXTRF bit can be set to "1" when External Reset (RESETB) occurs
3. When the Power-On Reset occurs, the LVRF/LCLVRF bit is unknown, At that time, the LVRF/LCLVRF bit can be set to "1" when LVR/LCLVRF Reset occurs.
4. When a reset except the POR occurs, the corresponding flag bit is only set to "1", the other flag bits are kept in the previous values.

**LVRCR (Low Voltage Reset Control Register) : D8H**

7	6	5	4	3	2	1	0
LVRST	–	LCLVREN	LVRVS3	LVRVS2	LVRVS1	LVRVS0	LVREN
R/W	–	R/W	R/W	R/W	R/W	R/W	R/W

Initial value : 00H

**LVRST** LVR Enable when Stop Release  
 0 Not effect at stop release  
 1 LVR enable at stop release

**NOTE)**

1. When this bit is '1', the LVREN bit is cleared to '0' by stop mode to release. (LVR enable)
2. When this bit is '0', the LVREN bit is not effect by stop mode to release.

**LCLVREN** Low Current LVR Operation  
 0 LCLVR Disable  
 1 LCLVR Enable (1.80V)

**LVRVS[3:0]** LVR Voltage Select

LVRVS3	LVRVS2	LVRVS1	LVRVS0	Description
0	0	0	0	1.60V
0	0	0	1	2.05V
0	0	1	0	2.15V
0	0	1	1	2.25V
0	1	0	0	2.37V
0	1	0	1	2.50V
0	1	1	0	2.65V
0	1	1	1	2.82V
1	0	0	0	3.01V
1	0	0	1	3.22V
1	0	1	0	3.47V
1	0	1	1	3.76V
1	1	0	0	4.10V
1	1	0	1	4.51V
1	1	1	0	Not available
1	1	1	1	Not available

**LVREN** LVR Operation  
 0 LVR Enable  
 1 LVR Disable

**NOTE)**

1. The LVRST, LVRVS[3:0] bits are cleared by a power-on reset but are retained by other reset signals.
2. The LVRVS[3:0] bits should be set to '0000b' while LVREN bit is "1".
3. The LCLVREN bit is cleared by a power-on reset but is retained by other reset signals.

LVICR (Low Voltage Indicator Control Register) : 86H

7	6	5	4	3	2	1	0
–	–	LVIIFR	LVIEN	LVILS3	LVILS2	LVILS1	LVILS0
–	–	R/W	R/W	R/W	R/W	R/W	R/W

Initial value : 00H

LVIIFR When Low Voltage Indicator Interrupt occurs, this bit becomes '1'. For clearing bit, write '0' to this bit or auto clear by INT\_ACK signal. Writing "1" has no effect.

- 0 No detection
- 1 Detection

LVIEN LVI Enable/Disable

- 0 Disable
- 1 Enable

LVILS[3:0] LVI Level Select

LVILS3	LVILS2	LVILS1	LVILS0	Description
0	0	0	0	2.05V
0	0	0	1	2.15V
0	0	1	0	2.25V
0	0	1	1	2.37V
0	1	0	0	2.50V
0	1	0	1	2.65V
0	1	1	0	2.82V
0	1	1	1	3.01V
1	0	0	0	3.22V
1	0	0	1	3.47V
1	0	1	0	3.76V
1	0	1	1	4.10V
1	1	0	0	4.51V
1	1	0	1	Not available
1	1	1	0	Not available
1	1	1	1	Not available

## 14 On-chip Debug System

### 14.1 Overview

#### 14.1.1 Description

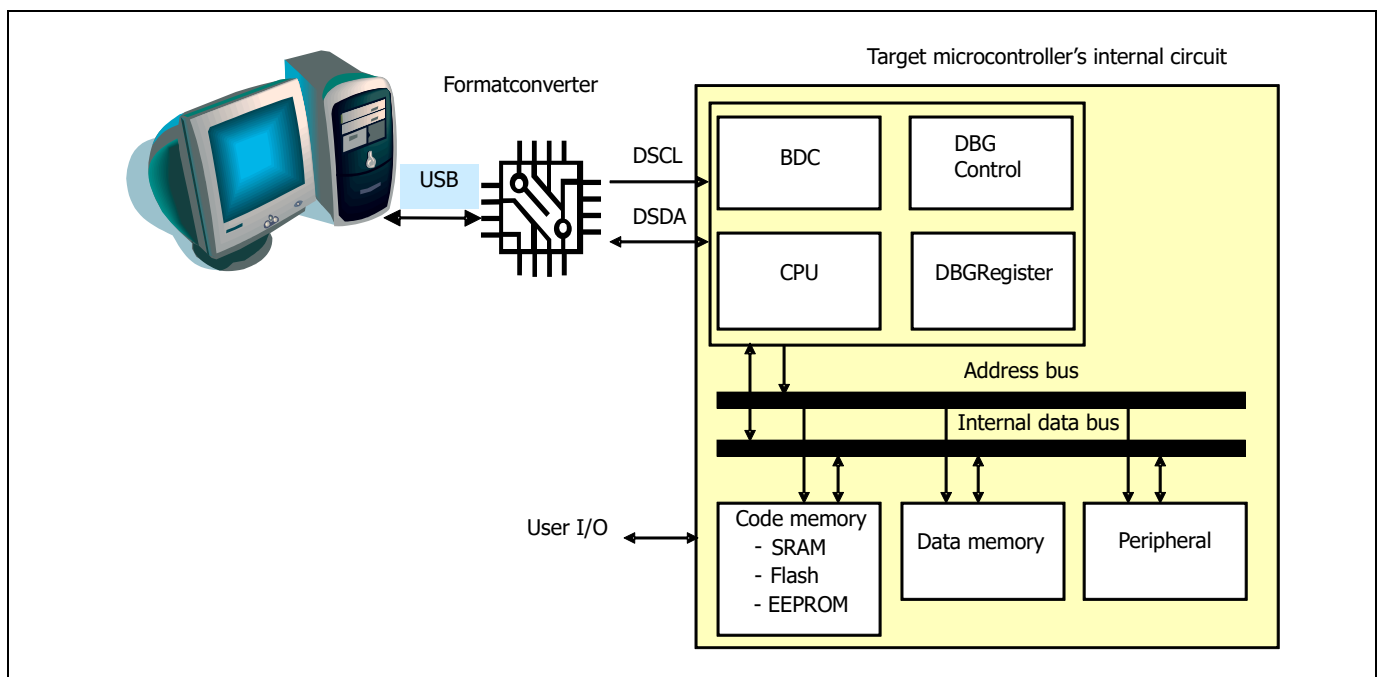
On-chip debug system (OCD) of A96R739 can be used for programming the non-volatile memories and on-chip debugging. Detail descriptions for programming via the OCD interface can be found in the following chapter.

Figure 14.1 shows a block diagram of the OCD interface and the On-chip Debug system.



### 14.1.2 Feature

- Two-wire external interface: 1-wire serial clock input, 1-wire bi-directional serial data bus
- Debugger Access to:
  - All Internal Peripheral Units
  - Internal data RAM
  - Program Counter
  - Flash and Data EEPROM Memories
- Extensive On-chip Debug Support for Break Conditions, Including
  - Break Instruction
  - Single Step Break
  - Program Memory Break Points on Single Address
  - Programming of Flash, EEPROM, Fuses and Lock Bits through the two-wire Interface
  - On-chip Debugging Supported by OCD Dongle
- Operating frequency
  - Supports the maximum frequency of the target microcontroller.



**Figure 130** Block Diagram of On-Chip Debug System

## 14.2 Two-Pin External Interface

### 14.2.1 Basic Transmission Packet

- 10-bit packet transmission using two-pin interface.
- 1-packet consists of 8-bit data, 1-bit parity and 1-bit acknowledge.
- Parity is even of '1' for 8-bit data in transmitter.
- Receiver generates acknowledge bit as '0' when transmission for 8-bit data and its parity has no error.
- When transmitter has no acknowledge(Acknowledge bit is '1' at tenth clock), error process is executed in transmitter.
- When acknowledge error is generated, host PC makes stop condition and transmits command which has error again.
- Background debugger command is composed of a bundle of packet.
- Start condition and stop condition notify the start and the stop of background debugger command respectively.

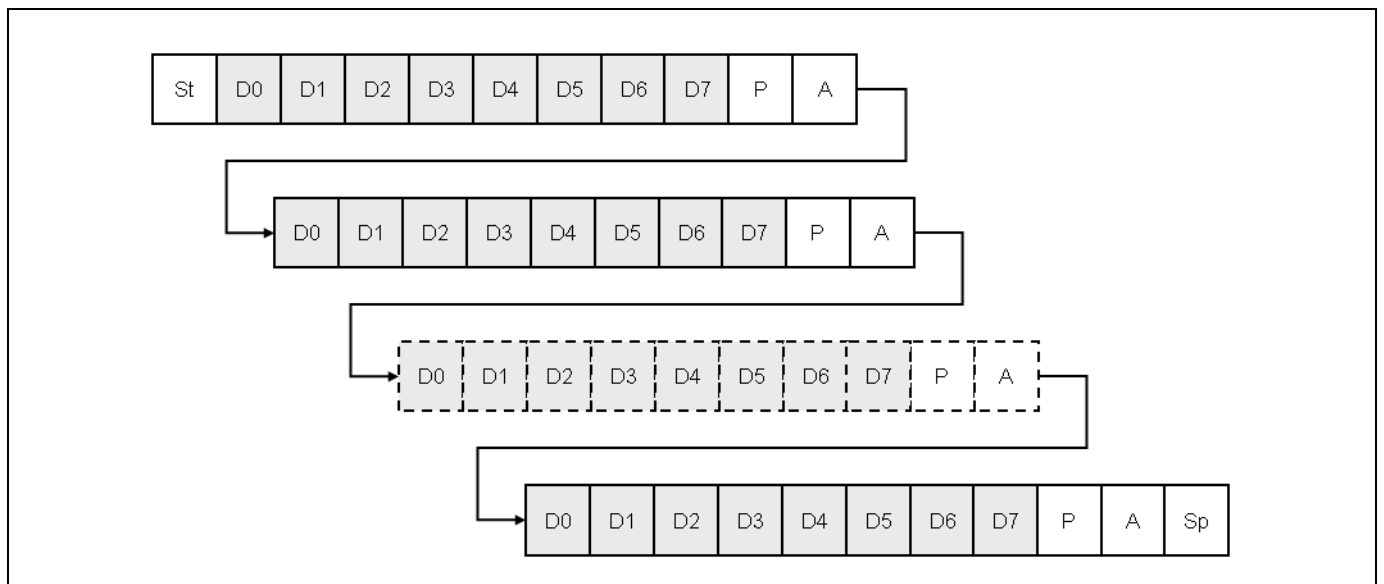


Figure 131 10-bit Transmission Packet

## 14.2.2 Packet Transmission Timing

### 14.2.2.1 Data Transfer

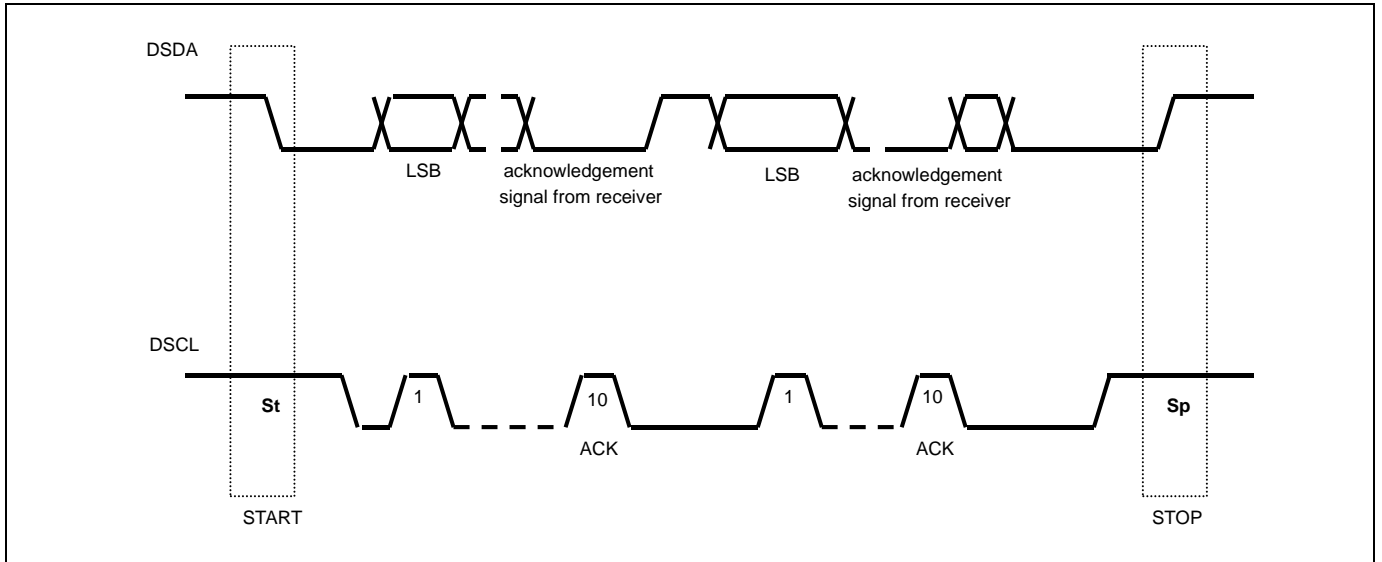


Figure 132 Data Transfer on the Twin Bus

### 14.2.2.2 Bit Transfer

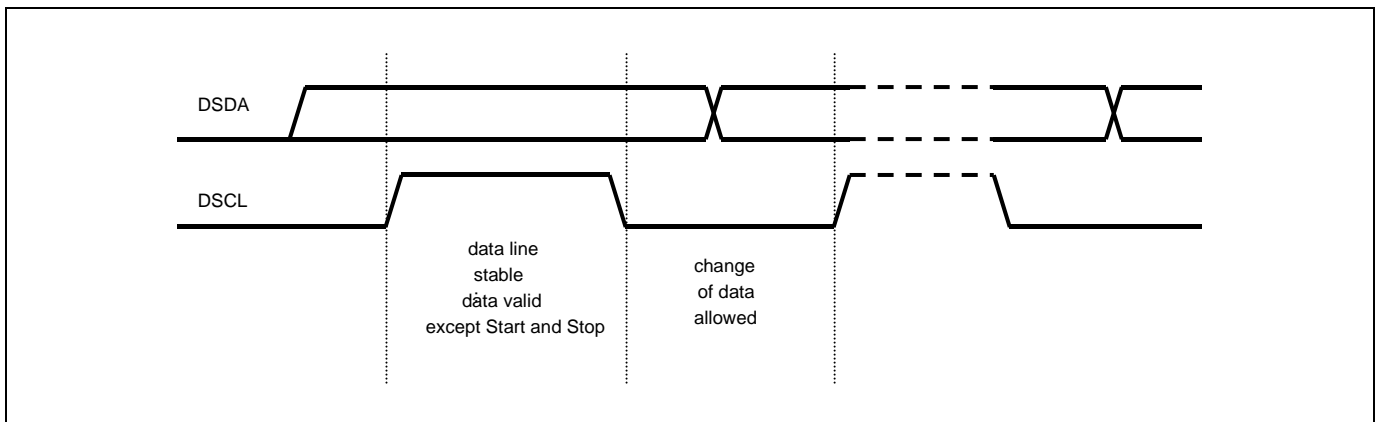


Figure 133 Bit Transfer on the Serial Bus

14.2.2.3 Start and Stop Condition

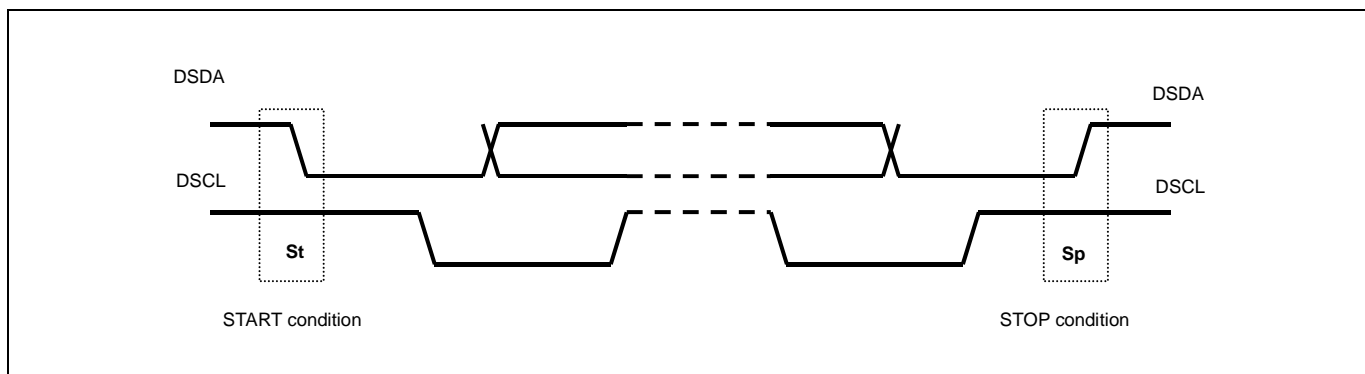


Figure 134 Start and Stop Condition

14.2.2.4 Acknowledge Bit

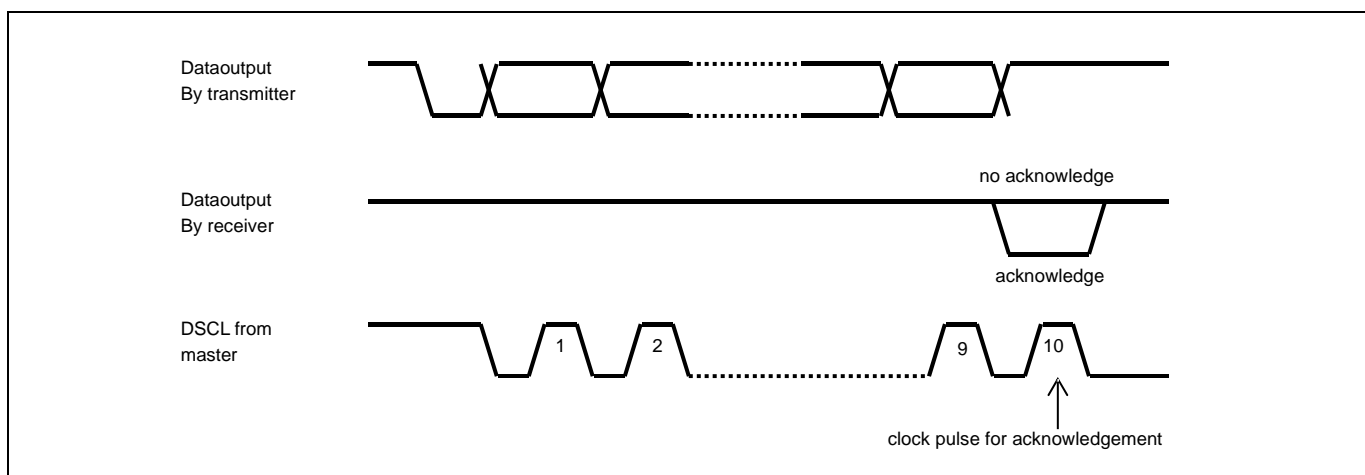


Figure 135 Acknowledge on the Serial Bus

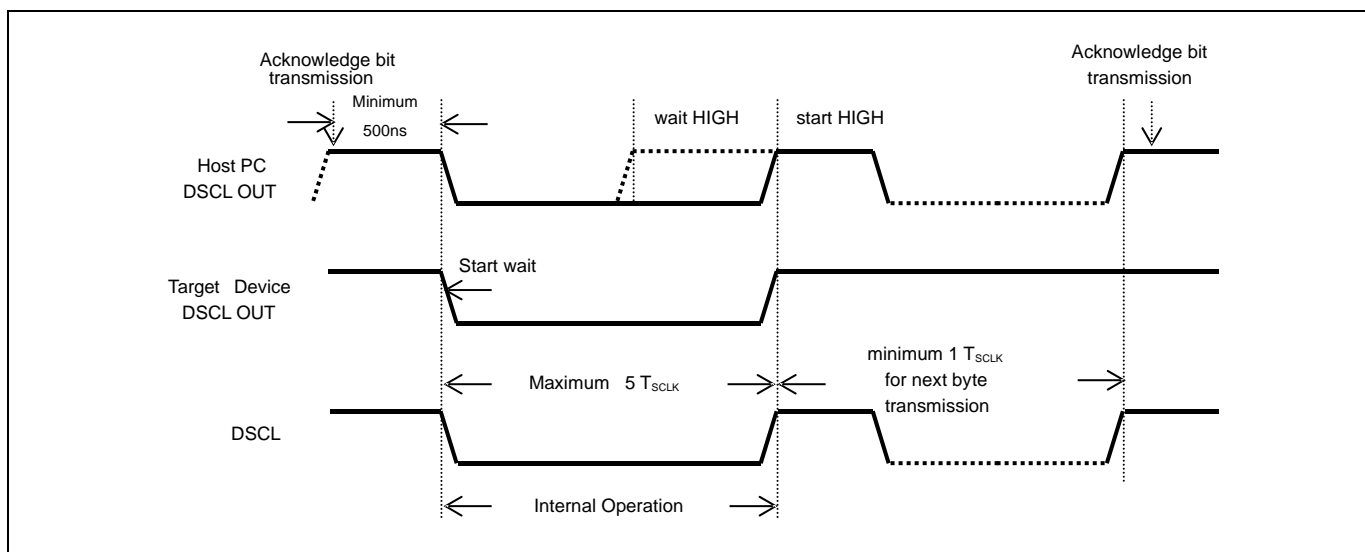
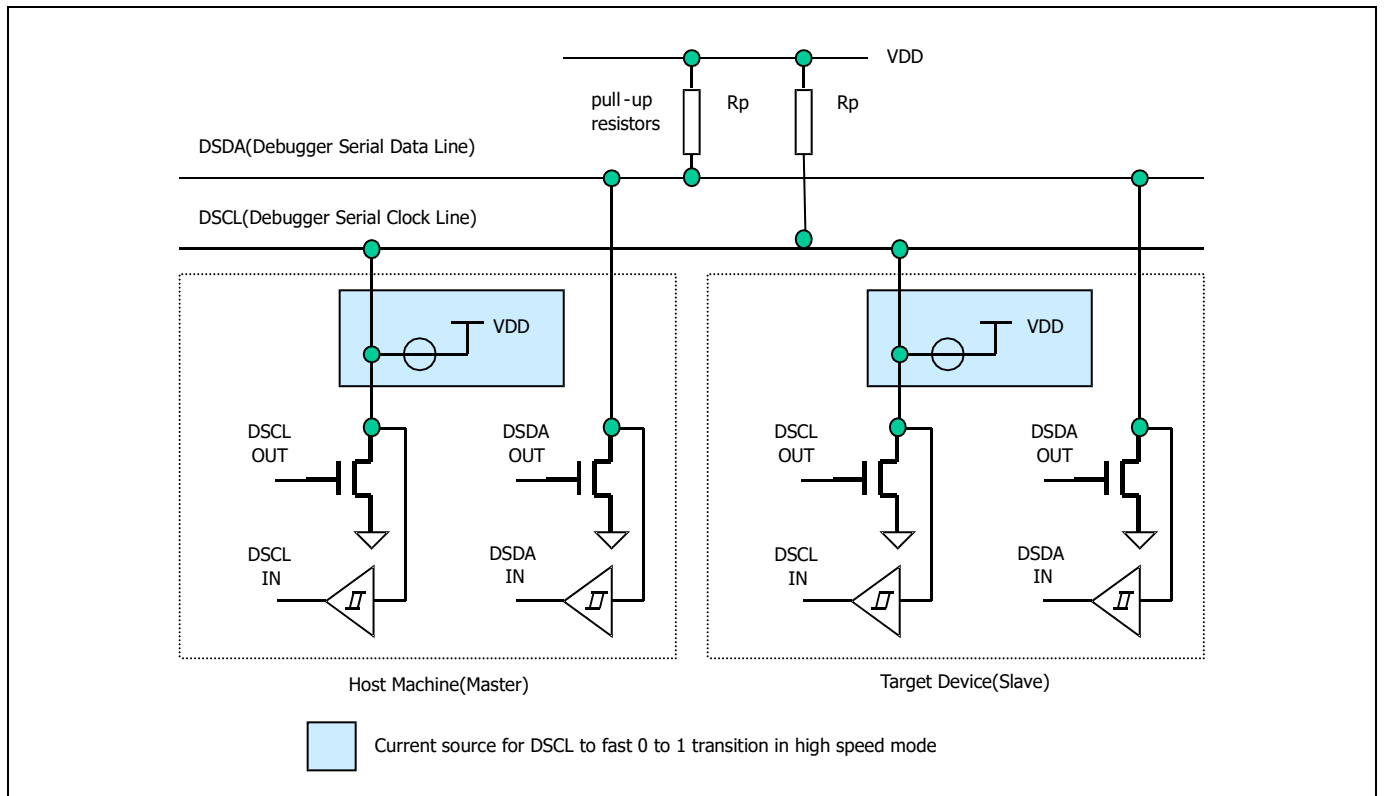


Figure 136 Clock Synchronization during Wait Procedure

### 14.2.3 Connection of Transmission

Two-pin interface connection uses open-drain(wire-AND bidirectional I/O).



**Figure 137 Connection of Transmission**

## 15 Flash Memory

### 15.1 Overview

#### 15.1.1 Description

A96R739 incorporates flash memory to which a program can be written, erased and overwritten while mounted on the board. The flash memory can be read by 'MOVC' instruction and it can be programmed in OCD, serial ISP mode or user program mode.

- Flash Size : 48Kbytes
- Single power supply program and erase
- Command interface for fast program and erase operation
- Up to 10,000(Sector 0~763)/100,000(Sector 764~767) program/erase cycles at typical voltage and temperature for flash memory

15.1.2 Flash Program ROM Structure

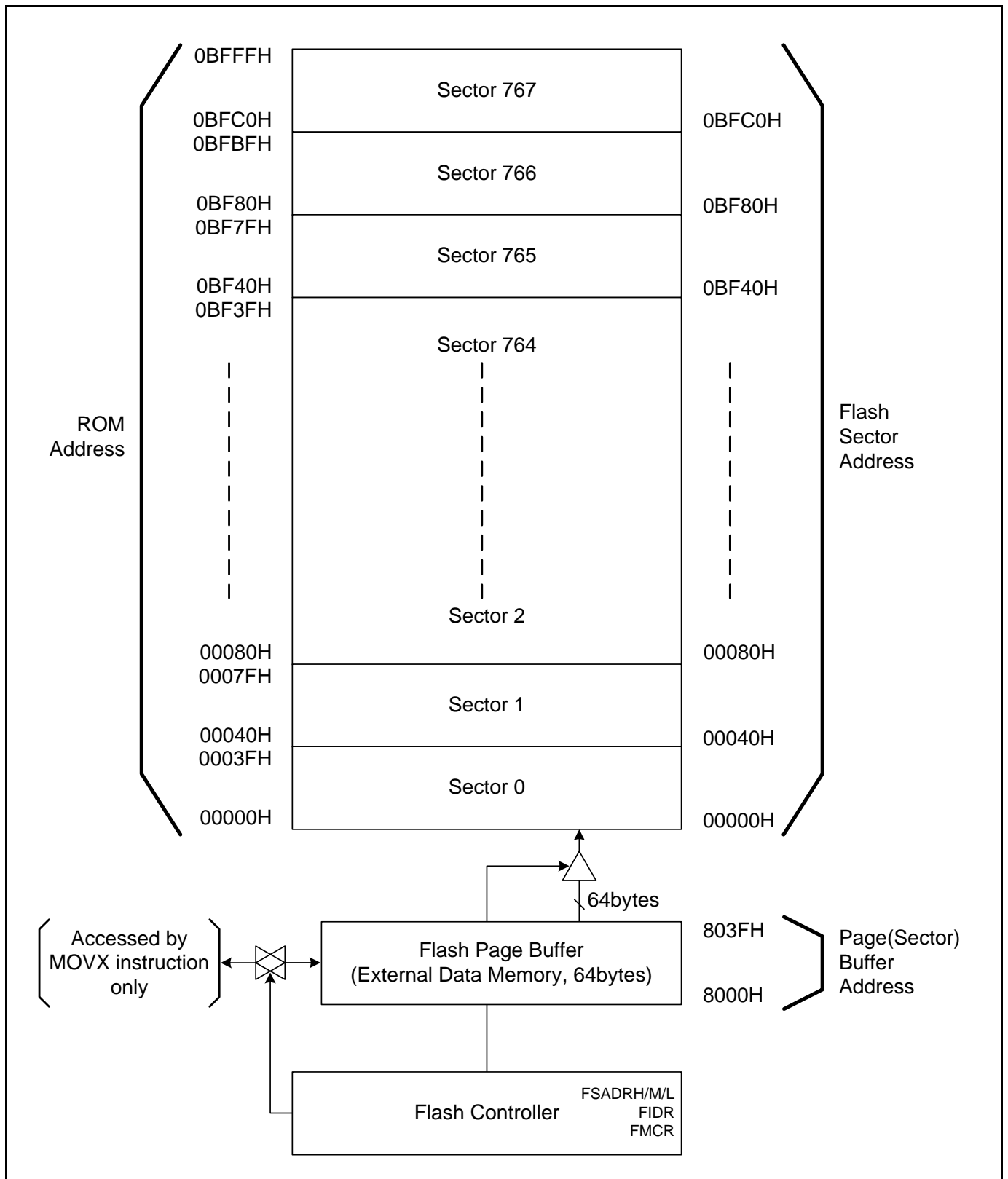


Figure 138 Flash Program ROM Structure

### 15.1.3 Register Map

Name	Address	Dir	Default	Description
FSADRH	FAH	R/W	00H	Flash Sector Address High Register
FSADRM	FBH	R/W	00H	Flash Sector Address Middle Register
FSADRL	FCH	R/W	00H	Flash Sector Address Low Register
FIDR	FDH	R/W	00H	Flash Identification Register
FMCR	FEH	R/W	00H	Flash Mode Control Register

**Table 59 Flash Memory Register Map**

### 15.1.4 Register Description for Flash Memory Control and Status

Flash control register consists of the flash sector address high register (FSADRH), flash sector address middle register (FSADRM), flash sector address low register (FSADRL), flash identification register (FIDR) and flash mode control register (FMCR). They are mapped to SFR area and can be accessed only in programming mode.



### 15.1.5 Register Description for Flash

#### FSADRH (Flash Sector Address High Register) : FAH

7	6	5	4	3	2	1	0
–	–	–	–	FSADRH3	FSADRH2	FSADRH1	FSADRH0
–	–	–	–	R/W	R/W	R/W	R/W

Initial value : 00H

FSADRH[3:0] Flash Sector Address High

#### FSADRM (Flash Sector Address Middle Register) : FBH

7	6	5	4	3	2	1	0
FSADRM7	FSADRM6	FSADRM5	FSADRM4	FSADRM3	FSADRM2	FSADRM1	FSADRM0
R/W	R/W	R/W	R/W	R/W	R/W	R/W	R/W

Initial value : 00H

FSADRM[7:0] Flash Sector Address Middle

#### FSADRL (Flash Sector Address Low Register) : FCH

7	6	5	4	3	2	1	0
FSADRL7	FSADRL6	FSADRL5	FSADRL4	FSADRL3	FSADRL2	FSADRL1	FSADRL0
R/W	R/W	R/W	R/W	R/W	R/W	R/W	R/W

Initial value : 00H

FSADRL[7:0] Flash Sector Address Low

#### FIDR (Flash Identification Register) : FDH

7	6	5	4	3	2	1	0
FIDR7	FIDR6	FIDR5	FIDR4	FIDR3	FIDR2	FIDR1	FIDR0
R/W	R/W	R/W	R/W	R/W	R/W	R/W	R/W

Initial value : 00H

FIDR[7:0] Flash Identification

Others No identification value

10100101 Identification value for a flash mode

(These bits are automatically cleared to logic '00H' immediately after one time operation except "flash page buffer reset mode")

**FMCR (Flash Mode Control Register) : FEH**

7	6	5	4	3	2	1	0
FMBUSY	-	-	-	-	FMCR2	FMCR1	FMCR0
R	-	-	-	-	R/W	R/W	R/W

Initial value : 00H

FMBUSY      Flash Mode Busy Bit. This bit will be used for only debugger.

0            No effect when "1" is written

1            Busy

FMCR[2:0]    Flash Mode Control Bits. During a flash mode operation, the CPU is hold and the global interrupt is on disable state regardless of the IE.7 (EA) bit.

FMCR2	FMCR1	FMCR0	Description
-------	-------	-------	-------------

0	0	1	Select flash page buffer reset mode and start regardless of the FIDR value (Clear all 64bytes to '0')
---	---	---	---

0	1	0	Select flash sector erase mode and start operation when the FIDR="10100101b'
---	---	---	--

0	1	1	Select flash sector write mode and start operation when the FIDR="10100101b'
---	---	---	--

1	0	0	Select flash sector Code Write Protection and start operation when the FIDR="10100101b'
---	---	---	---

Others Values: No operation

(These bits are automatically cleared to logic '00H' immediately after one time operation)

### 15.1.6 Serial In-System Program (ISP) Mode

Serial in-system program uses the interface of debugger which uses two wires. Refer to chapter 14 in details about debugger

### 15.1.7 Protection Area (User program mode)

A96R739 can program its own flash memory (protection area). The protection area can not be erased or programmed. The protection areas are available only when the PAEN bit is cleared to '0', that is, enable protection area at the configure option 1 if it is needed. If the protection area isn't enabled (PAEN = '1'), this area can be used as a normal program memory.

The size of protection area can be varied by setting of configure option 1.

Protection Area Size Select			Size of Protection Area	Address of Protection Area
PASS2	PASS1	PASS0		
0	0	0	0.7Kbytes	0100H – 03FFH
0	0	1	1.7Kbytes	0100H – 07FFH
0	1	0	2.7Kbytes	0100H – 0BFFH
0	1	1	3.7Kbytes	0100H – 0FFFH
1	0	0	45.7Kbytes	0100H – B7FFH
1	0	1	46.7Kbytes	0100H – BBFFH
1	1	0	47.2Kbytes	0100H – BDFFH
1	1	1	47.5Kbytes	0100H – BEFFH

**Table 60 Protection Area size**

#### NOTE)

1. Refer to chapter 16 in configure option control.

### 15.1.8 Erase Mode

#### The sector erase program procedure in user program mode

1. Page buffer clear (FMCR=0x01)
2. Write '0' to page buffer
3. Set flash sector address register (FSADRH/FSADRM/FSADRL).
4. Set flash identification register (FIDR).
5. Check the UserID for to prevent the invalid work<sup>(Note)</sup>.
6. Set flash mode control register (FMCR).
7. Erase verify

**NOTE)** Please refer to the chapter "Protection for Invalid Erase/Write"

#### Program Tip – sector erase

```

        ANL     EO,#0xF8                ;Set DPTR0
        MOV     FMCR,#0x01             ;page buffer clear
        NOP                                     ;Dummy instruction, This instruction must be needed.
        NOP                                     ;Dummy instruction, This instruction must be needed.
        NOP                                     ;Dummy instruction, This instruction must be needed.

        MOV     A,#0
        MOV     R0,#SectorSize         ;Sector size of Device
        MOV     DPH,#0x80              ;Page Buffer Address is 8000H
        MOV     DPL,#0

Pgbuf_clr:
        MOVX    @DPTR,A
        INC     DPTR
        DJNZ   R0,Pgbuf_clr           ;Write '0' to all page buffer

        MOV     FSADRH,#SAH           ;Sector Address High Byte.
        MOV     FSADRM,#SAM           ;Sector Address Middle Byte
        MOV     FSADRL,#SAL           ;Sector Address Low Byte
        MOV     FIDR,#0xA5            ;Identification value

        MOV     A,#ID_DATA_1          ;Check the UserID(written by user)
        CJNE   A,UserID1,No_WriteErase;This routine for UserID must be needed.
        MOV     A,#ID_DATA_2
        CJNE   A,UserID2,No_WriteErase

        MOV     FMCR,#0x02            ;Start flash erase mode
        NOP                                     ;Dummy instruction, This instruction must be needed.
        NOP                                     ;Dummy instruction, This instruction must be needed.
        NOP                                     ;Dummy instruction, This instruction must be needed.

        LJMP   Erase_verify
        ---

No_WriteErase:
        MOV     FIDR,#00H
        MOV     UserID1,#00H
        MOV     UserID2,#00H
        ---

Erase_verify:
        ---

Verify_error:
        ---

```

### 15.1.9 Write Mode

#### The sector Write program procedure in user program mode

1. Page buffer clear (FMCR=0x01)
2. Write data to page buffer
3. Set flash sector address register (FSADRH/FSADRM/FSADRL).
4. Set flash identification register (FIDR).
5. Check the UserID for to prevent the invalid work<sup>(Note1)</sup>.
6. Set flash mode control register (FMCR).
7. Erase verify

#### NOTE)

1. Please refer to the chapter "Protection for Invalid Erase/Write"
2. All data of the sector should be "00H" before writing data to a sector

#### Program Tip – sector write

```

        ANL     EO,#0xF8                ;Set DPTR0
        MOV     FMCR,#0x01             ;page buffer clear
        NOP                    ;Dummy instruction, This instruction must be needed.
        NOP                    ;Dummy instruction, This instruction must be needed.
        NOP                    ;Dummy instruction, This instruction must be needed.

        MOV     A,#0
        MOV     R0,#SectorSize         ;Sector size of Device
        MOV     DPH,#0x80              ;Page Buffer Address is 8000H
        MOV     DPL,#0

Pgbuf_WR:  MOVX   @DPTR,A
        INC     A
        INC     DPTR
        DJNZ   R0,Pgbuf_WR            ;Write data to all page buffer

        MOV     FSADRH,#SAH           ;Sector Address High Byte.
        MOV     FSADRM,#SAM           ;Sector Address Middle Byte
        MOV     FSADRL,#SAL           ;Sector Address Low Byte
        MOV     FIDR,#0xA5            ;Identification value

        MOV     A,#ID_DATA_1          ;Check the UserID(written by user)
        CJNE   A,UserID1,No_WriteErase;This routine for UserID must be needed.
        MOV     A,#ID_DATA_2
        CJNE   A,UserID2,No_WriteErase

        MOV     FMCR,#0x03            ;Start flash write mode
        NOP                    ;Dummy instruction, This instruction must be needed.
        NOP                    ;Dummy instruction, This instruction must be needed.
        NOP                    ;Dummy instruction, This instruction must be needed.

        LJMP   Write_verify
        ---

No_WriteErase:
        MOV     FIDR,#00H
        MOV     UserID1,#00H
        MOV     UserID2,#00H
        ---

Write_verify:
        ---

Verify_error:
        ---

```

**The Byte Write program procedure in user program mode**

1. Page buffer clear (FMCR=0x01)
2. Write data to page buffer
3. Set flash sector address register (FSADRH/FSADRM/FSADRL).
4. Set flash identification register (FIDR).
5. Check the UserID for to prevent the invalid work<sup>(Note1)</sup>.
6. Set flash mode control register (FMCR).
7. Erase verify

**NOTE)**

1. Please refer to the chapter "Protection for Invalid Erase/Write"
2. Data of the address should be "00H" before writing data to an address

**Program Tip – byte write**

```

ANL    EO, #0xF8                ;Set DPTR0
MOV    FMCR, #0x01              ;page buffer clear
NOP    ;Dummy instruction, This instruction must be needed.
NOP    ;Dummy instruction, This instruction must be needed.
NOP    ;Dummy instruction, This instruction must be needed.

MOV    A, #5
MOV    DPH, #0x80
MOV    DPL, #0
MOVX   @DPTR, A                ;Write data to page buffer

MOV    A, #6
MOV    DPH, #0x80
MOV    DPL, #0x05
MOVX   @DPTR, A                ;Write data to page buffer

MOV    FSADRH, #SAH             ;Sector Address High Byte.
MOV    FSADRM, #SAM             ;Sector Address Middle Byte
MOV    FSADRL, #SAL             ;Sector Address Low Byte
MOV    FIDR, #0xA5              ;Identification value

MOV    A, #ID_DATA_1            ;Check the UserID(written by user)
CJNE   A, UserID1, No_WriteErase;This routine for UserID must be needed.
MOV    A, #ID_DATA_2
CJNE   A, UserID2, No_WriteErase

MOV    FMCR, #0x03              ;Start flash write mode
NOP    ;Dummy instruction, This instruction must be needed.
NOP    ;Dummy instruction, This instruction must be needed.
NOP    ;Dummy instruction, This instruction must be needed.

LJMP   Write_verify
---
```

```

No_WriteErase:
MOV    FIDR, #00H
MOV    UserID1, #00H
MOV    UserID2, #00H
---
```

```

Write_verify:
---
```

```

Verify_error:
---
```

### 15.1.10 Protection for Invalid Erase/Write

It should be taken care to the flash erase/write programming in code.

You must make preparations for invalid jump to the flash erase/write code by malfunction, noise and power off.

**NOTE)** For more information, please refer to the appendix "Flash Protection for Invalid Erase/Write".

1. User ID check routine for the flash erase/write code.

```
ErWt_rtn:
---
MOV    FIDR,#10100101B      ;ID Code
MOV    A,#ID_DATA_1        ;Ex) ID_DATA_1: 93H, ID_DATA_2: 85H, ID_DATA_3: 5AH
CJNE  A,UserID1,No_WriteErase
MOV    A,#ID_DATA_2
CJNE  A,UserID2,No_WriteErase
MOV    A,#ID_DATA_3
CJNE  A,UserID3,No_WriteErase
MOV    FMCr,#0x??          ;0x03 if write, 0x02 if erase
---
---
RET

No_WriteErase:
MOV    FIDR,#00H
MOV    UserID1,#00H
MOV    UserID2,#00H
MOV    UserID3,#00H
MOV    Flash_flag,#00H
RET
```

If code is like the above lines, an invalid flash erase/write can be avoided.

2. It is important where the UserID1/2/3 is written. It will be remain the invalid flash erase/write problem if the UserID1/2/3 is written at the above line of the instruction "MOV FIDR,#10100101B". So. It had better writing the UserID1/2/3 in another routine after return.

```
Decide_ErWt:
---
MOV    Flash_flag1,#38H    ;Random value for example, in case of erase/write needs
MOV    FSADRL,#20H        ;Here 20H is example,
MOV    Flash_flag2,#75H
RET
```

3. The flash sector address (FSADRH/FSADRM/FSADRL) should always keep the address of the flash which is used for data area. For example, The FSADRH/FSADRM is always 0x00/0x3f" if 0x3f00 to 0x3fff is used for data.

#### 4. Overview of main

```

---
CALL    Work1
CALL    Decide_ErWt
CALL    Work2
CALL    ID_write
CALL    Work3
CALL    Flash_erase
CALL    Flash_write
---
---
---
ID_wire:
MOV     A,#38H
CJNE   A,Flash_flag1,No_write_ID
MOV     A,#75H
CJNE   A,Flash_flag2,No_write_ID
MOV   UserID1,#ID_DATA_1      ;Write User ID1
MOV     A,#38H
CJNE   A,Flash_flag1,No_write_ID
MOV     A,#75H
CJNE   A,Flash_flag2,No_write_ID
MOV   UserID2,#ID_DATA_2      ;Write User ID2
MOV     A,#38H
CJNE   A,Flash_flag1,No_write_ID
MOV     A,#75H
CJNE   A,Flash_flag2,No_write_ID
MOV   UserID3,#ID_DATA_3      ;Write User ID3
RET

No_write_ID:
MOV     UserID1,#00H
MOV     UserID2,#00H
MOV     UserID3,#00H
RET

```



15.1.10.1 Flow of Protection for Invalid Erase/Write

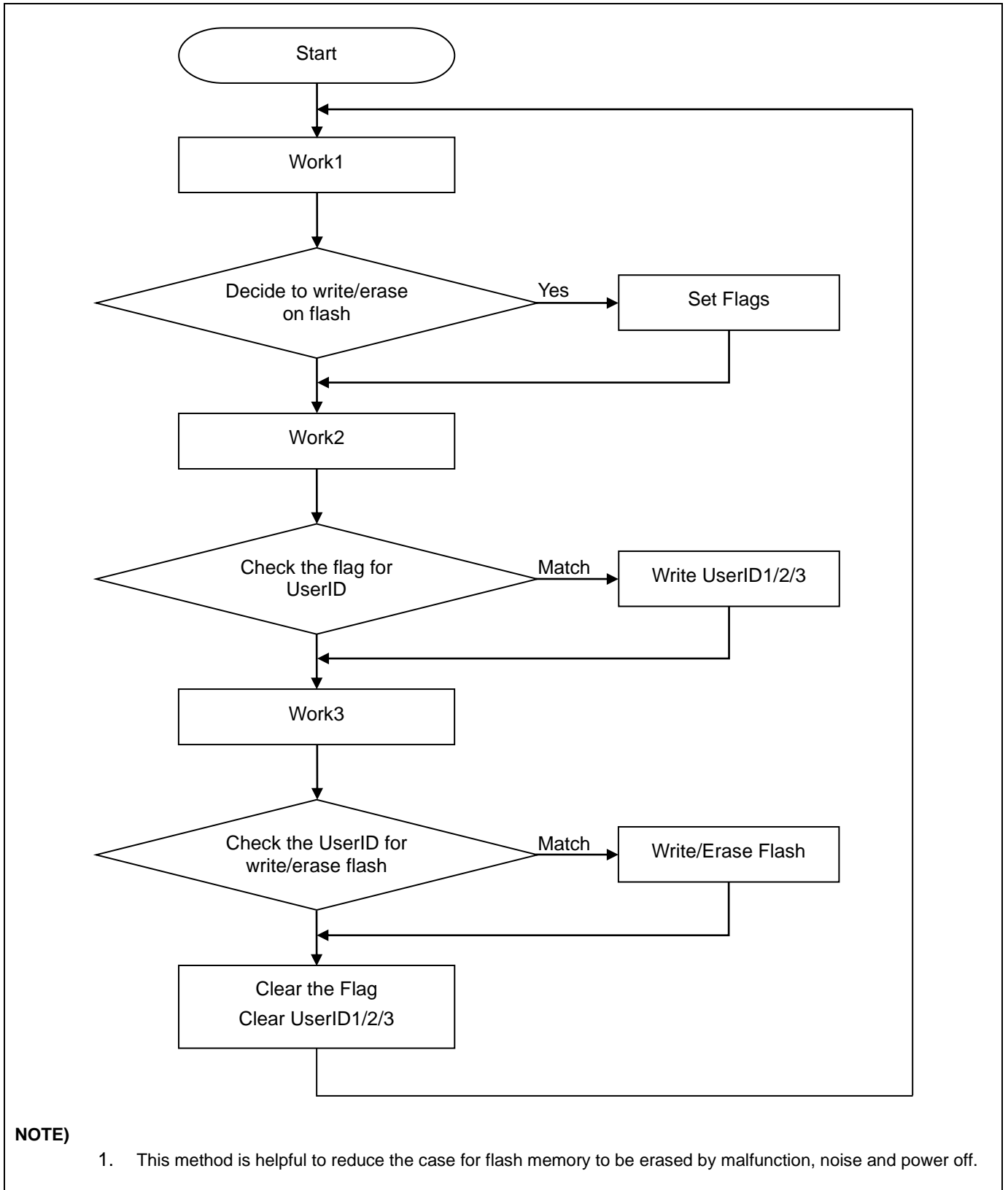


Figure 139 Flow of Protection for Invalid Erase/Write

### 15.1.11 Read Mode

#### The Reading program procedure in user program mode

1. Load receive data from flash memory on MOVC instruction by indirectly addressing mode.

#### Program Tip – reading

```

MOV     A, #0
MOV     DPH, #0x5F
MOV     DPL, #0x40                ;flash memory address

MOVC    A, @A+DPTR                ;read data from flash memory

```

### 15.1.12 Code Write Protection Mode

#### The Code Write Protection program procedure in user program mode

1. Set flash identification register (FIDR).
2. Check the UserID for to prevent the invalid work<sup>(Note)</sup>.
3. Set flash mode control register (FMCR).

**NOTE)** Please refer to the chapter “Protection for Invalid Erase/Write”

#### Program Tip – Code Write Protection

```

MOV     FIDR, #0xA5                ;Identification value

MOV     A, #ID_DATA_1              ;Check the UserID(written by user)
CJNE   A, UserID1, No_WriteErase;This routine for UserID must be needed.
MOV     A, #ID_DATA_2
CJNE   A, UserID2, No_WriteErase

MOV     FMCR, #0x04                ;Start flash Code Write Protection mode
NOP     ;Dummy instruction, This instruction must be needed.
NOP     ;Dummy instruction, This instruction must be needed.
NOP     ;Dummy instruction, This instruction must be needed.

No_WriteErase:
MOV     FIDR, #00H
MOV     UserID1, #00H
MOV     UserID2, #00H
---
```

## 16 Configure Option

### 16.1 Configure Option Control

The data for configure option should be written in the configure option area (003EH – 003FH) by programmer (Writer tools).

#### CONFIGURE OPTION 2 : ROM Address 003FH

7	6	5	4	3	2	1	0
R_P	HL	–	VAPEN	–	FBS	–	RSTS

Initial value : 00H

R_P	Code Read Protection
0	Disable
1	Enable
HL	Code Write Protection
0	Disable
1	Enable
VAPEN	Vector Area (00H – FFH) Protection Enable/Disable
0	Disable Protection (Erasable by instruction)
1	Enable Protection (Not erasable by instruction)
FBS	OSC feedback resistor(RX1) Select
0	1200kΩ (VDD = 5V)
1	500kΩ (VDD = 5V)
RSTS	Select RESETB pin
0	Disable RESETB pin (P62)
1	Enable RESETB pin with a pull-up resistor

CONFIGURE OPTION 1 : ROM Address 003EH

7	6	5	4	3	2	1	0
-	-	-	-	PAEN	PASS2	PASS1	PASS0

Initial value : 00H

- PAEN            Enable Specific Area Write Protection
  - 0            Disable Protection (Erasable by instruction)
  - 1            Enable Protection (Not erasable by instruction)

PASS [2:0]    Select Specific Area for Write Protection

**NOTE)**

- 1. When PAEN = '1', it is applied.

PASS2	PASS1	PASS0	Description
0	0	0	0.7Kbytes (Address 0100H – 03FFH)
0	0	1	1.7Kbytes (Address 0100H – 07FFH)
0	1	0	2.7Kbytes (Address 0100H – 0BFFH)
0	1	1	3.7Kbytes (Address 0100H – 0FFFH)
1	0	0	45.7Kbytes (Address 0100H – B7FFH)
1	0	1	46.7Kbytes (Address 0100H – BBFFH)
1	1	0	47.2Kbytes (Address 0100H – BDFFH)
1	1	1	47.5Kbytes (Address 0100H – BEFFH)

## 17 APPENDIX

### 17.1 Instruction Table

Instructions are either 1, 2 or 3 bytes long as listed in the 'Bytes' column below.

Each instruction takes either 1, 2 or 4 machine cycles to execute as listed in the following table. 1 machine cycle comprises 2 system clock cycles.

ARITHMETIC				
Mnemonic	Description	Bytes	Cycles	Hex code
ADD A,Rn	Add register to A	1	1	28-2F
ADD A,dir	Add direct byte to A	2	1	25
ADD A,@Ri	Add indirect memory to A	1	1	26-27
ADD A,#data	Add immediate to A	2	1	24
ADDC A,Rn	Add register to A with carry	1	1	38-3F
ADDC A,dir	Add direct byte to A with carry	2	1	35
ADDC A,@Ri	Add indirect memory to A with carry	1	1	36-37
ADDC A,#data	Add immediate to A with carry	2	1	34
SUBB A,Rn	Subtract register from A with borrow	1	1	98-9F
SUBB A,dir	Subtract direct byte from A with borrow	2	1	95
SUBB A,@Ri	Subtract indirect memory from A with borrow	1	1	96-97
SUBB A,#data	Subtract immediate from A with borrow	2	1	94
INC A	Increment A	1	1	04
INC Rn	Increment register	1	1	08-0F
INC dir	Increment direct byte	2	1	05
INC @Ri	Increment indirect memory	1	1	06-07
DEC A	Decrement A	1	1	14
DEC Rn	Decrement register	1	1	18-1F
DEC dir	Decrement direct byte	2	1	15
DEC @Ri	Decrement indirect memory	1	1	16-17
INC DPTR	Increment data pointer	1	2	A3
MUL AB	Multiply A by B	1	4	A4
DIV AB	Divide A by B	1	4	84
DA A	Decimal Adjust A	1	1	D4

LOGICAL				
Mnemonic	Description	Bytes	Cycles	Hex code
ANL A,Rn	AND register to A	1	1	58-5F
ANL A,dir	AND direct byte to A	2	1	55
ANL A,@Ri	AND indirect memory to A	1	1	56-57
ANL A,#data	AND immediate to A	2	1	54
ANL dir,A	AND A to direct byte	2	1	52
ANL dir,#data	AND immediate to direct byte	3	2	53
ORL A,Rn	OR register to A	1	1	48-4F
ORL A,dir	OR direct byte to A	2	1	45
ORL A,@Ri	OR indirect memory to A	1	1	46-47
ORL A,#data	OR immediate to A	2	1	44
ORL dir,A	OR A to direct byte	2	1	42
ORL dir,#data	OR immediate to direct byte	3	2	43
XRL A,Rn	Exclusive-OR register to A	1	1	68-6F
XRL A,dir	Exclusive-OR direct byte to A	2	1	65
XRL A,@Ri	Exclusive-OR indirect memory to A	1	1	66-67
XRL A,#data	Exclusive-OR immediate to A	2	1	64
XRL dir,A	Exclusive-OR A to direct byte	2	1	62
XRL dir,#data	Exclusive-OR immediate to direct byte	3	2	63
CLR A	Clear A	1	1	E4
CPL A	Complement A	1	1	F4
SWAP A	Swap Nibbles of A	1	1	C4
RL A	Rotate A left	1	1	23
RLC A	Rotate A left through carry	1	1	33
RR A	Rotate A right	1	1	03
RRC A	Rotate A right through carry	1	1	13

DATA TRANSFER				
Mnemonic	Description	Bytes	Cycles	Hex code
MOV A,Rn	Move register to A	1	1	E8-EF
MOV A,dir	Move direct byte to A	2	1	E5
MOV A,@Ri	Move indirect memory to A	1	1	E6-E7
MOV A,#data	Move immediate to A	2	1	74
MOV Rn,A	Move A to register	1	1	F8-FF
MOV Rn,dir	Move direct byte to register	2	2	A8-AF
MOV Rn,#data	Move immediate to register	2	1	78-7F
MOV dir,A	Move A to direct byte	2	1	F5
MOV dir,Rn	Move register to direct byte	2	2	88-8F
MOV dir,dir	Move direct byte to direct byte	3	2	85
MOV dir,@Ri	Move indirect memory to direct byte	2	2	86-87
MOV dir,#data	Move immediate to direct byte	3	2	75
MOV @Ri,A	Move A to indirect memory	1	1	F6-F7
MOV @Ri,dir	Move direct byte to indirect memory	2	2	A6-A7
MOV @Ri,#data	Move immediate to indirect memory	2	1	76-77
MOV DPTR,#data	Move immediate to data pointer	3	2	90
MOVC A,@A+DPTR	Move code byte relative DPTR to A	1	2	93
MOVC A,@A+PC	Move code byte relative PC to A	1	2	83
MOVX A,@Ri	Move external data(A8) to A	1	2	E2-E3
MOVX A,@DPTR	Move external data(A16) to A	1	2	E0
MOVX @Ri,A	Move A to external data(A8)	1	2	F2-F3
MOVX @DPTR,A	Move A to external data(A16)	1	2	F0
PUSH dir	Push direct byte onto stack	2	2	C0
POP dir	Pop direct byte from stack	2	2	D0
XCH A,Rn	Exchange A and register	1	1	C8-CF
XCH A,dir	Exchange A and direct byte	2	1	C5
XCH A,@Ri	Exchange A and indirect memory	1	1	C6-C7
XCHD A,@Ri	Exchange A and indirect memory nibble	1	1	D6-D7

BOOLEAN				
Mnemonic	Description	Bytes	Cycles	Hex code
CLR C	Clear carry	1	1	C3
CLR bit	Clear direct bit	2	1	C2
SETB C	Set carry	1	1	D3
SETB bit	Set direct bit	2	1	D2
CPL C	Complement carry	1	1	B3
CPL bit	Complement direct bit	2	1	B2
ANL C,bit	AND direct bit to carry	2	2	82
ANL C,/bit	AND direct bit inverse to carry	2	2	B0
ORL C,bit	OR direct bit to carry	2	2	72
ORL C,/bit	OR direct bit inverse to carry	2	2	A0
MOV C,bit	Move direct bit to carry	2	1	A2
MOV bit,C	Move carry to direct bit	2	2	92

BRANCHING				
Mnemonic	Description	Bytes	Cycles	Hex code
ACALL addr 11	Absolute jump to subroutine	2	2	11→F1
LCALL addr 16	Long jump to subroutine	3	2	12
RET	Return from subroutine	1	2	22
RETI	Return from interrupt	1	2	32
AJMP addr 11	Absolute jump unconditional	2	2	01→E1
LJMP addr 16	Long jump unconditional	3	2	02
SJMP rel	Short jump (relative address)	2	2	80
JC rel	Jump on carry = 1	2	2	40
JNC rel	Jump on carry = 0	2	2	50
JB bit,rel	Jump on direct bit = 1	3	2	20
JNB bit,rel	Jump on direct bit = 0	3	2	30
JBC bit,rel	Jump on direct bit = 1 and clear	3	2	10
JMP @A+DPTR	Jump indirect relative DPTR	1	2	73
JZ rel	Jump on accumulator = 0	2	2	60
JNZ rel	Jump on accumulator ≠0	2	2	70
CJNE A,dir,rel	Compare A,direct jne relative	3	2	B5
CJNE A,#d,rel	Compare A,immediate jne relative	3	2	B4
CJNE Rn,#d,rel	Compare register, immediate jne relative	3	2	B8-BF
CJNE @Ri,#d,rel	Compare indirect, immediate jne relative	3	2	B6-B7
DJNZ Rn,rel	Decrement register, jnz relative	2	2	D8-DF
DJNZ dir,rel	Decrement direct byte, jnz relative	3	2	D5

MISCELLANEOUS				
Mnemonic	Description	Bytes	Cycles	Hex code
NOP	No operation	1	1	00

ADDITIONAL INSTRUCTIONS (selected through EO[7:4])				
Mnemonic	Description	Bytes	Cycles	Hex code
MOVC @(DPTR++),A	M8051W/M8051EW-specific instruction supporting software download into program memory	1	2	A5
TRAP	Software break command	1	1	A5

In the above table, an entry such as E8-EF indicates a continuous block of hex opcodes used for 8 different registers, the register numbers of which are defined by the lowest three bits of the corresponding code. Non-continuous blocks of codes, shown as 11→F1 (for example), are used for absolute jumps and calls, with the top 3 bits of the code being used to store the top three bits of the destination address.

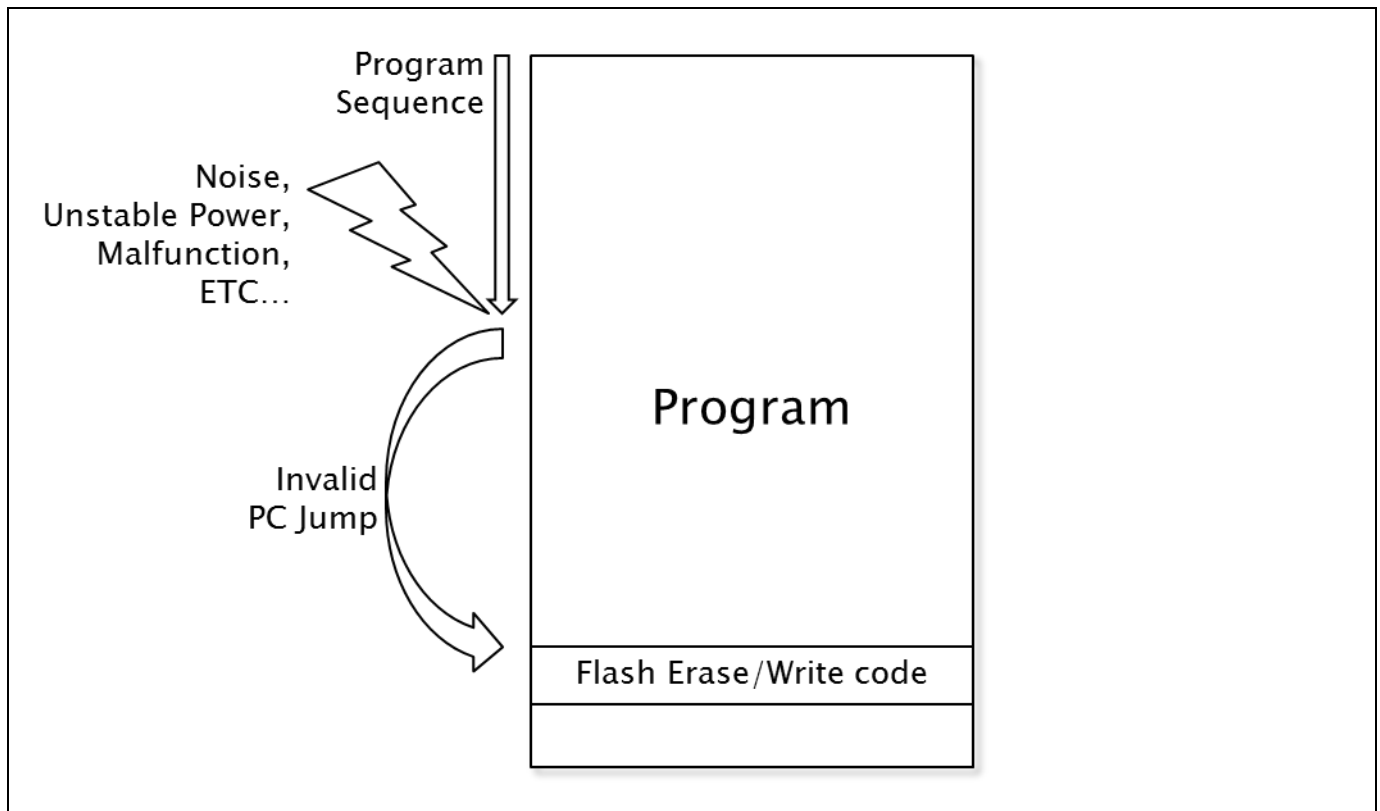
The CJNE instructions use the abbreviation #d for immediate data; other instructions use #data.



## 17.2 Flash Protection for Invalid Erase/Write

### ➤ Overview

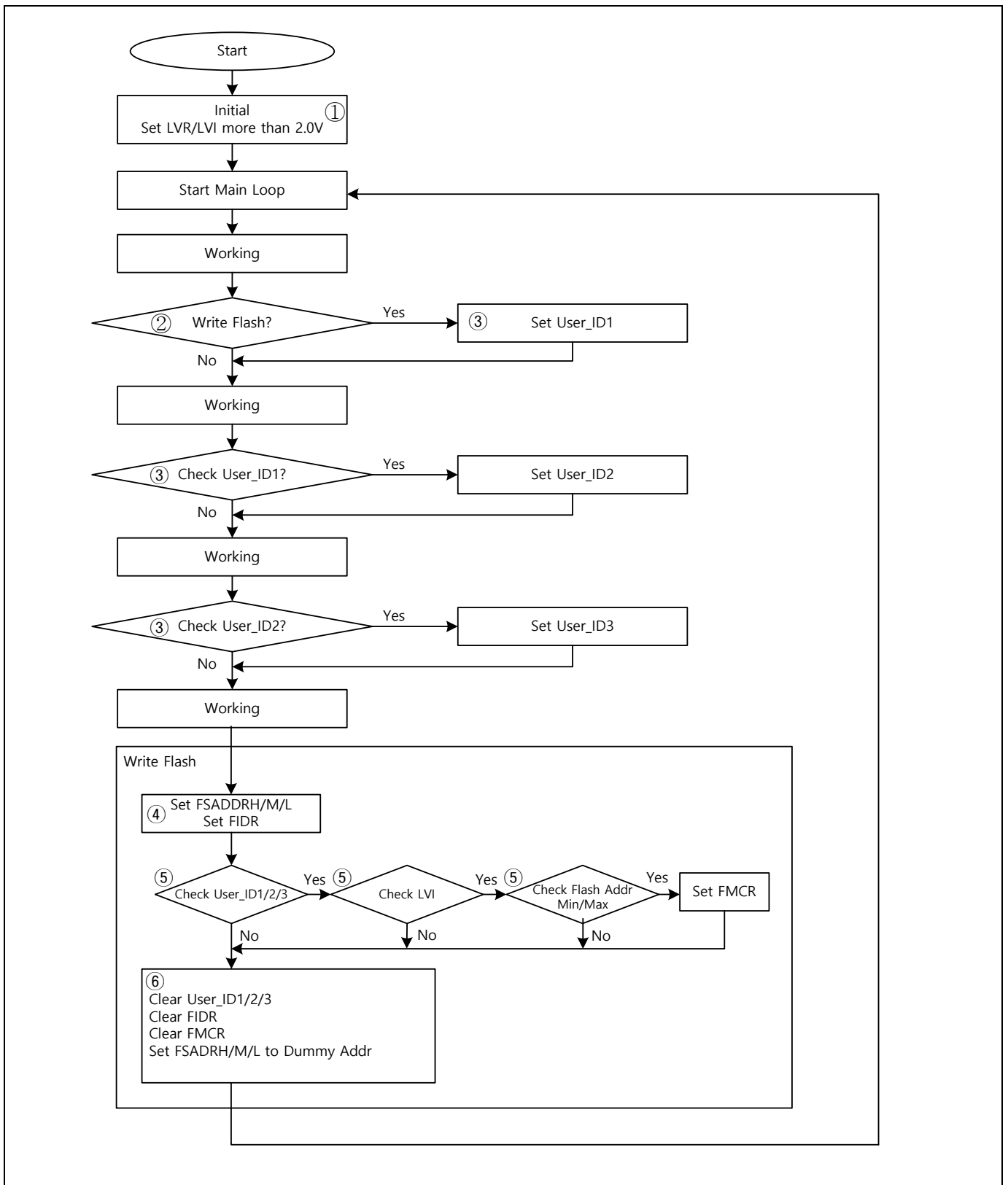
This is example to prevent changing code or data in flash by abnormal operation(noise, unstable power, malfunction, etc...).



### ➤ How to protect the flash

- Divide into decision and execution to Erase/Write in flash.
  - Check the program sequence from decision to execution in order of precedence about Erase/Write.
  - Setting the flags in program and check the flags in main loop at the end
  - When the Flash Erase/Write is executed, check the flags. If not matched, do not execute.
- Check the range of Flash Sector Address
  - If the flash sector address is outside of specific area, do not execute.
- Use the Dummy Address
  - Set the flash sector address to dummy address in usually run time.
  - Change the flash sector address to real area range shortly before Erase/Write.
  - Even if invalid Erase/Write occurred, it will be Erase/Write in dummy address in flash.
- Use the LVR/LVI
  - Unstable or low powers give an adverse effect on the microcontroller. So use the LVR/LVI.

➤ Flowchart



## ➤ Descript of Flowchart

- ① Initialization
  - Set the LVR/LVI  
Check the power by LVR/LVI and do not execute under unstable or low power.
  - Initialize User\_ID1/2/3
  - Set Flash Sector Address High/Middle/Low to Dummy address  
Dummy address is set to unused area range in flash.
- ② Decide to Write
  - When the Erase/Write are determined, set flag. Do not directly Erase/Write in flash.
  - Make the user data.
- ③ Check and Set User\_ID1/2/3
  - In the middle of source, insert code which can check and set the flags.
  - By setting the User\_ID 1/2/3 sequentially and identify the flow of the program.
- ④ Set Flash Sector Address
  - Set address to real area range shortly before Erase/Write in flash.  
Set to Dummy address after Erase/Write  
Even if invalid work occurred, it will be Erase/Write in Dummy address in flash.
- ⑤ Check Flags
  - If every flag(User\_ID1/2/3, LVI, Flash Address Min/Max) was set, than do Erase/Write.
  - If the Flash Sector Address is outside of Min/Max, do not execute
  - Address Min/Max is set to unused area.
- ⑥ Initialize Flags
  - Initialize User\_ID1/2/3
  - Set Flash Sector Address to Dummy Address
- Sample Source
  - Refer to the ABOV homepage.
  - It is created based on the MC97F2664.
  - Each product should be modified according to the Page Buffer Size and Flash Size

## ➤ Etc

- Protection by Configure option
  - Set flash protection by the microcontroller's Write Tools. (OCD, PGM+, etc...)
    - Vector Area :  
00H~FFH
    - Specific Area :  
0.7Kbytes (Address 0100H – 03FFH)  
1.7Kbytes (Address 0100H – 07FFH)  
2.7Kbytes (Address 0100H – 0BFFH)  
3.7Kbytes (Address 0100H – 0FFFH)  
21.7Kbytes (Address 0100H – 57FFH)  
22.7Kbytes (Address 0100H – 5BFFH)  
23.2Kbytes (Address 0100H – 5DFFH)  
23.5Kbytes (Address 0100H – 5EFFH)

# Table of contents

<b>Revision history .....</b>	<b>2</b>
<b>1 Overview .....</b>	<b>3</b>
1.1 Description .....	3
1.2 Features.....	4
1.3 Development tools .....	5
1.3.1 Compiler .....	5
1.3.2 OCD(On-chip debugger) emulator and debugger .....	5
1.3.3 Programmer.....	6
1.4 MTP programming .....	8
1.4.1 Overview.....	8
1.4.2 On-Board programming.....	8
1.4.3 Circuit Design Guide.....	9
<b>2 Block diagram .....</b>	<b>10</b>
<b>3 Pin assignment .....</b>	<b>11</b>
<b>4 Package Diagram .....</b>	<b>16</b>
<b>5 Pin Description.....</b>	<b>20</b>
<b>6 Port Structures .....</b>	<b>24</b>
6.1 General Purpose I/O Port .....	24
6.2 External Interrupt I/O Port.....	25
<b>7 Electrical Characteristics .....</b>	<b>26</b>
7.1 Absolute Maximum Ratings .....	26
7.2 Recommended Operating Conditions .....	26
7.3 A/D Converter Characteristics .....	27
7.4 Power-On Reset Characteristics .....	28
7.5 Low Voltage Reset and Low Voltage Indicator Characteristics .....	29
7.6 Low Current Low Voltage Reset Characteristics .....	29
7.7 High Frequency Internal RC Oscillator Characteristics .....	30
7.8 Low Frequency Internal RC Oscillator Characteristics .....	30
7.9 Internal Watch-Dog Timer RC Oscillator Characteristics.....	30
7.10 LCD Voltage Characteristics .....	31
7.11 DC Characteristics .....	32
7.12 AC Characteristics .....	34
7.13 UART TIMING CHARACTERISTICS.....	35
7.14 Data Retention Voltage in Stop Mode.....	36
7.15 Internal Flash Rom Characteristics .....	37
7.16 Input/Output Capacitance .....	37
7.17 Main Clock Oscillator Characteristics .....	38
7.18 Sub Clock Oscillator Characteristics .....	39
7.19 Main Oscillation Stabilization Characteristics .....	40
7.20 Sub Oscillation Stabilization Characteristics.....	40
7.21 Operating Voltage Range.....	41
7.22 Recommended Circuit and Layout.....	42
7.23 Recommended Circuit for Remote controller.....	43
7.24 Recommended Circuit and Layout with SMPS Power.....	43
7.25 Typical Characteristics .....	44
<b>8 Memory .....</b>	<b>47</b>
8.1 Program Memory .....	47
8.2 Data Memory .....	49
8.3 External Data Memory .....	51
8.4 SFR Map.....	52
8.4.1 SFR Map Summary .....	52
8.4.2 Extended SFR Map Summary.....	53

8.4.3	SFR Map .....	54
8.4.4	Extended SFR Map .....	58
8.4.5	COMPILER COMPATIBLE SFR .....	59
<b>9</b>	<b>I/O Ports .....</b>	<b>61</b>
9.1	I/O Ports .....	61
9.2	Port Register .....	61
9.2.1	Data Register (Px) .....	61
9.2.2	Direction Register (PxIO) .....	61
9.2.3	Pull-up Resistor Selection Register (PxPU) .....	61
9.2.4	Open-drain Selection Register (PxOD) .....	61
9.2.5	De-bounce Enable Register (PxDB) .....	61
9.2.6	Port Function Selection Register (PxFSR) .....	61
9.2.7	Register Map .....	62
9.3	P0 Port .....	64
9.3.1	P0 Port Description .....	64
9.3.2	Register description for P0 .....	64
9.4	P1 Port .....	66
9.4.1	P1 Port Description .....	66
9.4.2	Register description for P1 .....	66
9.5	P2 Port .....	68
9.5.1	P2 Port Description .....	68
9.5.2	Register description for P2 .....	68
9.6	P3 Port .....	70
9.6.1	P3 Port Description .....	70
9.6.2	Register description for P3 .....	70
9.7	P4 Port .....	73
9.7.1	P4 Port Description .....	73
9.7.2	Register description for P4 .....	73
9.8	P5 Port .....	77
9.8.1	P5 Port Description .....	77
9.8.2	Register description for P5 .....	77
9.9	P6 Port .....	79
9.9.1	P6 Port Description .....	79
9.9.2	Register description for P6 .....	79
9.10	P7 Port .....	81
9.10.1	P7 Port Description .....	81
9.10.2	Register description for P7 .....	81
<b>10</b>	<b>Interrupt Controller .....</b>	<b>83</b>
10.1	Overview .....	83
10.2	External Interrupt .....	84
10.3	Block Diagram .....	85
10.4	Interrupt Vector Table .....	86
10.5	Interrupt Sequence .....	87
10.6	Effective Timing after Controlling Interrupt Bit .....	88
10.7	Multi Interrupt .....	89
10.8	Interrupt Enable Accept Timing .....	90
10.9	Interrupt Service Routine Address .....	90
10.10	Saving/Restore General-Purpose Registers .....	90
10.11	Interrupt Timing .....	91
10.12	Interrupt Register Overview .....	92
10.12.1	Interrupt Enable Register (IE, IE1, IE2, IE3) .....	92
10.12.2	Interrupt Priority Register (IP, IP1) .....	92
10.12.3	External Interrupt Flag Register (EIFLAG0, EIFLAG1) .....	92
10.12.4	External Interrupt Polarity Register (EIPOL0, EIPOL1H, EIPOL1L) .....	92
10.12.5	Register Map .....	92
10.12.6	Interrupt Register Description .....	93
10.12.7	Register Description for Interrupt .....	93
<b>11</b>	<b>Peripheral Hardware .....</b>	<b>99</b>

11.1	Clock Generator .....	99
11.1.1	Overview.....	99
11.1.2	Block Diagram .....	100
11.1.3	Register Map .....	101
11.1.4	Clock Generator Register Description.....	101
11.1.5	Register Description for Clock Generator .....	102
11.2	Basic Interval Timer.....	108
11.2.1	Overview.....	108
11.2.2	Block Diagram .....	108
11.2.3	Register Map .....	108
11.2.4	Basic Interval Timer Register Description .....	109
11.2.5	Register Description for Basic Interval Timer .....	109
11.3	Watch Dog Timer .....	110
11.3.1	Overview.....	110
11.3.2	WDT Interrupt Timing Waveform .....	110
11.3.3	Block Diagram .....	111
11.3.4	Register Map .....	111
11.3.5	Watch Dog Timer Register Description .....	111
11.3.6	Register Description for Watch Dog Timer .....	112
11.4	Watch Timer .....	113
11.4.1	Overview.....	113
11.4.2	Block Diagram .....	113
11.4.3	Register Map .....	114
11.4.4	Watch Timer Register Description .....	114
11.4.5	Register Description for Watch Timer.....	114
11.5	Timer 0 .....	116
11.5.1	Overview.....	116
11.5.2	8-bit Timer/Counter Mode.....	117
11.5.3	8-bit PWM Mode.....	118
11.5.4	8-bit Capture Mode.....	120
11.5.5	Block Diagram .....	122
11.5.6	Register Map .....	122
11.5.7	Timer/Counter 0 Register Description .....	122
11.5.8	Register Description for Timer/Counter 0 .....	123
11.6	Timer 1 .....	125
11.6.1	Overview.....	125
11.6.2	8-bit Timer/Counter 1 Mode.....	125
11.6.3	8-bit Timer 1 Carrier Frequency Mode .....	128
11.6.4	Carrier Output Pulse Width Calculations.....	129
11.6.5	Block Diagram .....	131
11.6.6	Register Map .....	131
11.6.7	Timer/Counter 1 Register Description .....	132
11.6.8	Register Description for Timer/Counter 1 .....	132
11.7	Timer 2 .....	135
11.7.1	Overview.....	135
11.7.2	16-bit Timer/Counter Mode.....	136
11.7.3	16-Bit Capture Mode .....	138
11.7.4	16-Bit PPG Mode.....	140
11.7.5	Block Diagram .....	142
11.7.6	Register Map .....	142
11.7.7	Timer/Counter 2 Register Description .....	143
11.7.8	Register Description for Timer/Counter 2 .....	143
11.8	Timer 3 .....	146
11.8.1	Overview.....	146
11.8.2	16-bit Timer/Counter Mode.....	147
11.8.3	16-Bit Capture Mode .....	149
11.8.4	16-Bit PPG Mode.....	151
11.8.5	Block Diagram .....	153
11.8.6	Register Map .....	153
11.8.7	Timer/Counter 3 Register Description .....	154
11.8.8	Register Description for Timer/Counter 3.....	154

11.9	16-bit Interval Timer .....	157
11.9.1	Overview.....	157
11.9.2	Block Diagram .....	158
11.9.3	Register Map .....	158
11.9.4	16-bit Interval Timer Register Description .....	158
11.9.5	Register Description for 16-bit Interval Timer .....	159
11.10	Buzzer Driver .....	162
11.10.1	Overview .....	162
11.10.2	Block Diagram.....	162
11.10.3	Register Map.....	163
11.10.4	Buzzer Driver Register Description.....	163
11.10.5	Register Description for Buzzer Driver .....	163
11.11	12-bit A/D Converter.....	164
11.11.1	Overview .....	164
11.11.2	Conversion Timing .....	164
11.11.3	Block Diagram.....	165
11.11.4	ADC Operation.....	166
11.11.5	Register Map.....	168
11.11.6	ADC Register Description .....	168
11.11.7	Register Description for ADC.....	169
11.12	UART.....	171
11.12.1	Overview .....	171
11.12.2	Block Diagram.....	172
11.12.3	Clock Generation .....	173
11.12.4	Data format .....	173
11.12.5	Parity bit .....	174
11.12.6	UART Transmitter .....	174
11.12.6.1	Sending Tx data.....	175
11.12.6.2	Transmitter flag and interrupt.....	175
11.12.6.3	Parity Generator .....	175
11.12.6.4	Disabling Transmitter .....	175
11.12.7	UART Receiver .....	176
11.12.7.1	Receiving Rx data .....	176
11.12.7.2	Receiver Flag and Interrupt .....	176
11.12.7.3	Parity Checker .....	177
11.12.7.4	Disabling Receiver.....	177
11.12.7.5	Asynchronous Data Reception .....	178
11.12.8	Register Map.....	180
11.12.9	UART Register Description .....	180
11.12.10	Register Description for UART .....	181
11.12.11	Baud Rate setting (example) .....	185
11.13	LCD Driver .....	186
11.13.1	Overview .....	186
11.13.2	LCD Display RAM Organization .....	187
11.13.3	LCD Signal Waveform .....	188
11.13.4	LCD Voltage Dividing Connection.....	192
11.13.5	Block Diagram.....	195
11.13.6	Register Map.....	195
11.13.7	LCD Driver Register Description.....	195
11.13.8	Register Description for LCD Driver .....	196
11.14	FLASH CRC Generator .....	199
11.14.1	Overview .....	199
11.14.2	Block Diagram.....	204
11.14.3	Register Map.....	204
11.14.4	Flash CRC Generator Register Description .....	205
11.14.5	Register Description for Flash CRC Generator .....	205
<b>12</b>	<b>Power Down Operation .....</b>	<b>208</b>
12.1	Overview .....	208
12.2	Peripheral Operation in IDLE/STOP Mode .....	208
12.3	IDLE Mode .....	209
12.4	STOP Mode.....	210

12.5	Release Operation of STOP Mode .....	211
12.6	Register Map.....	212
12.7	Power Down Operation Register Description .....	212
12.8	Register Description for Power Down Operation .....	212
<b>13</b>	<b>RESET.....</b>	<b>213</b>
13.1	Overview .....	213
13.2	Reset Source .....	213
13.3	RESET Block Diagram.....	213
13.4	RESET Noise Canceller.....	214
13.5	Power on RESET .....	214
13.6	External RESETB Input .....	217
13.7	Brown Out Detector Processor .....	218
13.8	LVI Block Diagram.....	220
13.9	Register Map.....	220
13.10	Reset Operation Register Description .....	220
13.11	Register Description for Reset Operation .....	221
<b>14</b>	<b>On-chip Debug System.....</b>	<b>224</b>
14.1	Overview .....	224
14.1.1	Description.....	224
14.1.2	Feature .....	225
14.2	Two-Pin External Interface.....	226
14.2.1	Basic Transmission Packet .....	226
14.2.2	Packet Transmission Timing.....	227
14.2.2.1	Data Transfer.....	227
14.2.2.2	Bit Transfer .....	227
14.2.2.3	Start and Stop Condition.....	228
14.2.2.4	Acknowledge Bit .....	228
14.2.3	Connection of Transmission .....	229
<b>15</b>	<b>Flash Memory .....</b>	<b>230</b>
15.1	Overview .....	230
15.1.1	Description.....	230
15.1.2	Flash Program ROM Structure.....	231
15.1.3	Register Map .....	232
15.1.4	Register Description for Flash Memory Control and Status .....	232
15.1.5	Register Description for Flash .....	233
15.1.6	Serial In-System Program (ISP) Mode.....	235
15.1.7	Protection Area (User program mode) .....	235
15.1.8	Erase Mode .....	236
15.1.9	Write Mode .....	237
15.1.10	Protection for Invalid Erase/Write .....	239
15.1.10.1	Flow of Protection for Invalid Erase/Write.....	241
15.1.11	Read Mode .....	242
15.1.12	Code Write Protection Mode.....	242
<b>16</b>	<b>Configure Option.....</b>	<b>243</b>
16.1	Configure Option Control .....	243
<b>17</b>	<b>APPENDIX.....</b>	<b>245</b>
17.1	Instruction Table .....	245
17.2	Flash Protection for Invalid Erase/Write.....	249
<b>Table of contents.....</b>		<b>252</b>



**Korea****Regional Office, Seoul**

R&D, Marketing & Sales  
8th Fl., 330, Yeongdong-daero,  
Gangnam-gu, Seoul,  
06177, Korea

Tel: +82-2-2193-2200

Fax: +82-2-508-6903

[www.abovsemi.com](http://www.abovsemi.com)

**Domestic Sales Manager**

Tel: +82-2-2193-2206

Fax: +82-2-508-6903

Email: [sales\\_kr@abov.co.kr](mailto:sales_kr@abov.co.kr)

**HQ, Ochang**

R&D, QA, and Test Center  
37, Gangni 1-gil, Ochang-eup,  
Cheongwon-gun,  
Chungcheongbuk-do, 28126, Korea

Tel: +82-43-219-5200

Fax: +82-43-217-3534

[www.abovsemi.com](http://www.abovsemi.com)

**Global Sales Manager**

Tel: +82-2-2193-2281

Fax: +82-2-508-6903

Email: [sales\\_ql@abov.co.kr](mailto:sales_ql@abov.co.kr)

**China Sales Manager**

Tel: +86-755-8287-2205

Fax: +86-755-8287-2204

Email: [sales\\_cn@abov.co.kr](mailto:sales_cn@abov.co.kr)

**ABOV Disclaimer****IMPORTANT NOTICE – PLEASE READ CAREFULLY**

ABOV Semiconductor ("ABOV") reserves the right to make changes, corrections, enhancements, modifications, and improvements to ABOV products and/or to this document at any time without notice. ABOV does not give warranties as to the accuracy or completeness of the information included herein. Purchasers should obtain the latest relevant information of ABOV products before placing orders. Purchasers are entirely responsible for the choice, selection, and use of ABOV products and ABOV assumes no liability for application assistance or the design of purchasers' products. No license, express or implied, to any intellectual property rights is granted by ABOV herein. ABOV disclaims all express and implied warranties and shall not be responsible or liable for any injuries or damages related to use of ABOV products in such unauthorized applications. ABOV and the ABOV logo are trademarks of ABOV. All other product or service names are the property of their respective owners. Information in this document supersedes and replaces the information previously supplied in any former versions of this document.

© 2017-2024 ABOV Semiconductor – All rights reserved